

REVISED STARTING
SERIAL # 1344

PARTS LIST MANUAL MODEL SS65-65W



Concrete/Asphalt Saw
Part No. 31200



100 Thomas Johnson Drive, Frederick, MD 21702-4600 USA
Phone (301) 663-1600 • 1-800-638-3326
Fax (301) 663-1607 • 1-800-447-3326
Website: www.edcoinc.com • Email: sales@edcoinc.com

Printed in USA
©2004

READ AND UNDERSTAND THE OPERATORS INSTRUCTION MANUAL THOROUGHLY BEFORE ATTEMPTING TO OPERATE THIS EQUIPMENT. Death or serious injury could occur if this machine is used improperly.



SAFETY MESSAGES



The safety instructions are preceded by a graphic alert message of DANGER, WARNING, or CAUTION.



Indicates an imminent hazard which, if not avoided, will result in death or serious injury.



Indicates an imminent hazard which, if not avoided, can result in death or serious injury.



Indicates hazards which, if not avoided, could result in serious injury and or damage to the equipment.

GASOLINE

Powered Equipment



- Do not operate gasoline powered equipment without adequate ventilation. Carbon monoxide is an invisible, odorless gas that can kill.

ELECTRICAL

Powered Equipment



- ELECTRICAL HAZARD** - Be sure equipment is properly grounded. Failure to comply could kill or result in serious injury.



The engine exhaust from this product contains chemicals known to the State of California to cause cancer, birth defects or other reproductive harm.

GENERAL INSTRUCTIONS



- You must read and understand the operators instruction manual and all other manuals associated with this machine. For your safety and the safety of others around you, it is extremely important to fully understand how to operate this machine in the way it was intended. Different model machines or older/newer versions of the same model may have different parts and controls that you need to understand. If instructions are not readable or available DO NOT USE this machine and contact the factory for a replacement Manual.
- You must be able to physically handle the bulk weight and power of this machine. If not properly controlled this machine can cause death or serious injury.
- Do not operate this machine in an impaired mental state. You must be able to exercise good judgement and reactions to maintain a safe working environment.
- This is a "one person" machine which means only one operator can be operating the machine at any one time. For the safety of others, maintain a safe operating distance to other personnel. Your work area should be defined and appropriately marked so bystanders and coworkers do not stand or walk near this machine and end up seriously injured by flying debris or exposing them to harmful noise or dust.
- This equipment is for Commercial use. Although this is a "one person" machine your work team should understand how to shut this machine off and quickly get medical help if an accident strikes the operator.
- Keep all guards in place during operation. The guards are to provide protection from inadvertent contact with dangerous moving parts, pinch points, or hot surfaces.
- Wear appropriate Personal Protective Equipment (PPE) including safety glasses, safety boots, work gloves, respiratory protection, hearing protection, and head protection. Do not wear loose clothing that can get tangled in moving parts. Failure to do so could result in dismemberment or death. **Wear an approved respirator when removing hazardous materials or when grinding/cutting dry materials. Some dust particles such as concrete dust can contain silicate particles which can cause silicosis (a very serious lung disease). Contact NIOSH or OSHA for further details. When wet grinding/cutting, avoid contact with the concrete/asphalt slurry which can cause serious skin irritations.**
- You must maintain this machine per the maintenance schedule in the operator manual. Remember before adjusting, servicing, or fueling this machine, disconnect the source of power to the machine by disconnecting the spark plug (Gas models), or by unplugging the electrical power cord (electric models) or air hose (Pneumatic models) AT THE MACHINE so you can assure yourself it remains unplugged while you are working on it. Do not modify this machine. Use only genuine EDCO parts and accessories. Repairs and service should be performed by approved EDCO dealers or authorized technicians.
- You should look carefully around the area before you begin work so you can identify potential hazards such as deck inserts, pipes, columns, openings, electrical cords or outlets, or any other objects protruding from the slab surface.
- This machine has no brain so you must use your own. There is no substitute for safety. The safety decals on the machine are to serve as a reminder for information you must already know before you begin using this machine. Take a moment to reread the safety decals each time you use the machine. If your machine is missing any decals, contact the factory for a replacement (EDCO 1-800-638-3326).

PARTS LIST MANUAL

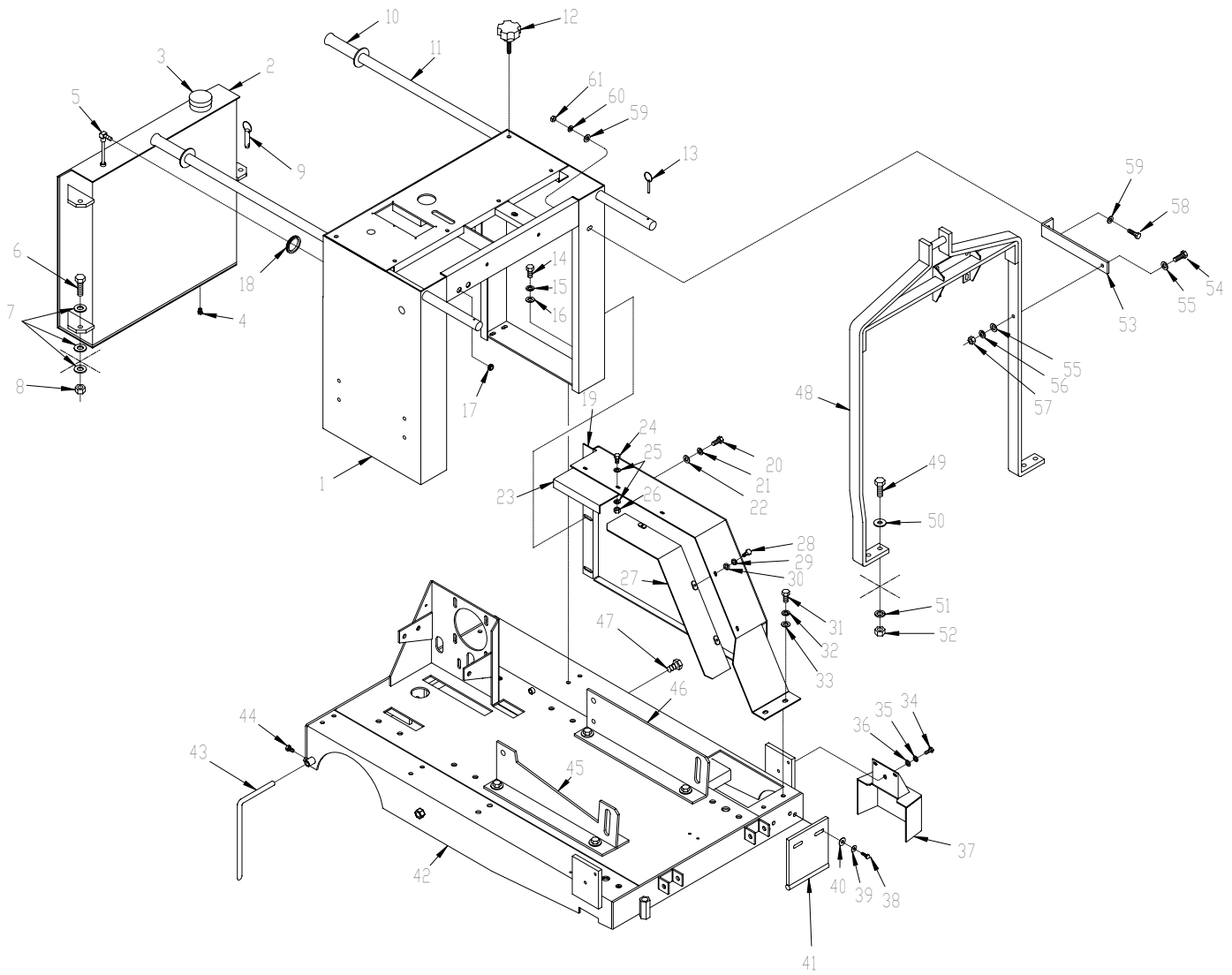
MODEL SS65-65W

Section	Page Number
Safety Messages / General Instructions	2
How To Order Replacement Parts	3
Illustration 1 : Frame Assembly	4,5
Illustration 2 : Lifting Assembly	6,7
Illustration 3 : Water Pump & Blade Guard Assembly	8,9
Illustration 4 : Guide Bar Assembly	10
Illustration 5 : Blade Depth Gauge Assembly	11
Illustration 6 : Arbor Assembly	12
Illustration 7 : Belt Drive Grouping	13
Illustration 8 : Transmission Assembly	14,15
Illustration 9 : Clutch & Rear Axle Assembly	16,17
Illustration 10 : Engine Grouping	18,19
Illustration 11 : Engine Mount Grouping	20,21
Illustration 12 : Instrument Panel Grouping	22,23
Limited Equipment Warranty	back cover

<p>HOW TO ORDER REPLACEMENT PARTS</p> <p><input type="checkbox"/> To insure product safety and reliability, always use genuine EDCO replacement parts when making repairs to the equipment.</p> <p><input type="checkbox"/> When calling for parts, specify the MODEL and SERIAL NUMBER of the machine which can be found on the NAME PLATE. Keep that information in the space provided. In addition to this information, give part number, description and quantity as listed on the parts list to your parts representative.</p> <p><input type="checkbox"/> Please note: Due to improvements and changes in the equipment, the illustrations shown may be different than the actual machine.</p>	<p style="text-align: center;">FILL IN INFORMATION BELOW</p> <p>Date of Purchase _____</p> <p>Name of Machine _____</p> <p>Model # _____</p> <p>Serial # _____</p> <p>Belt Size(s) _____</p> <p style="text-align: center;">Toll Free: 1-800-638-3326 FAX: 1-800-447-3326 email: sales@edcoinc.com www.edcoinc.com</p>
---	--



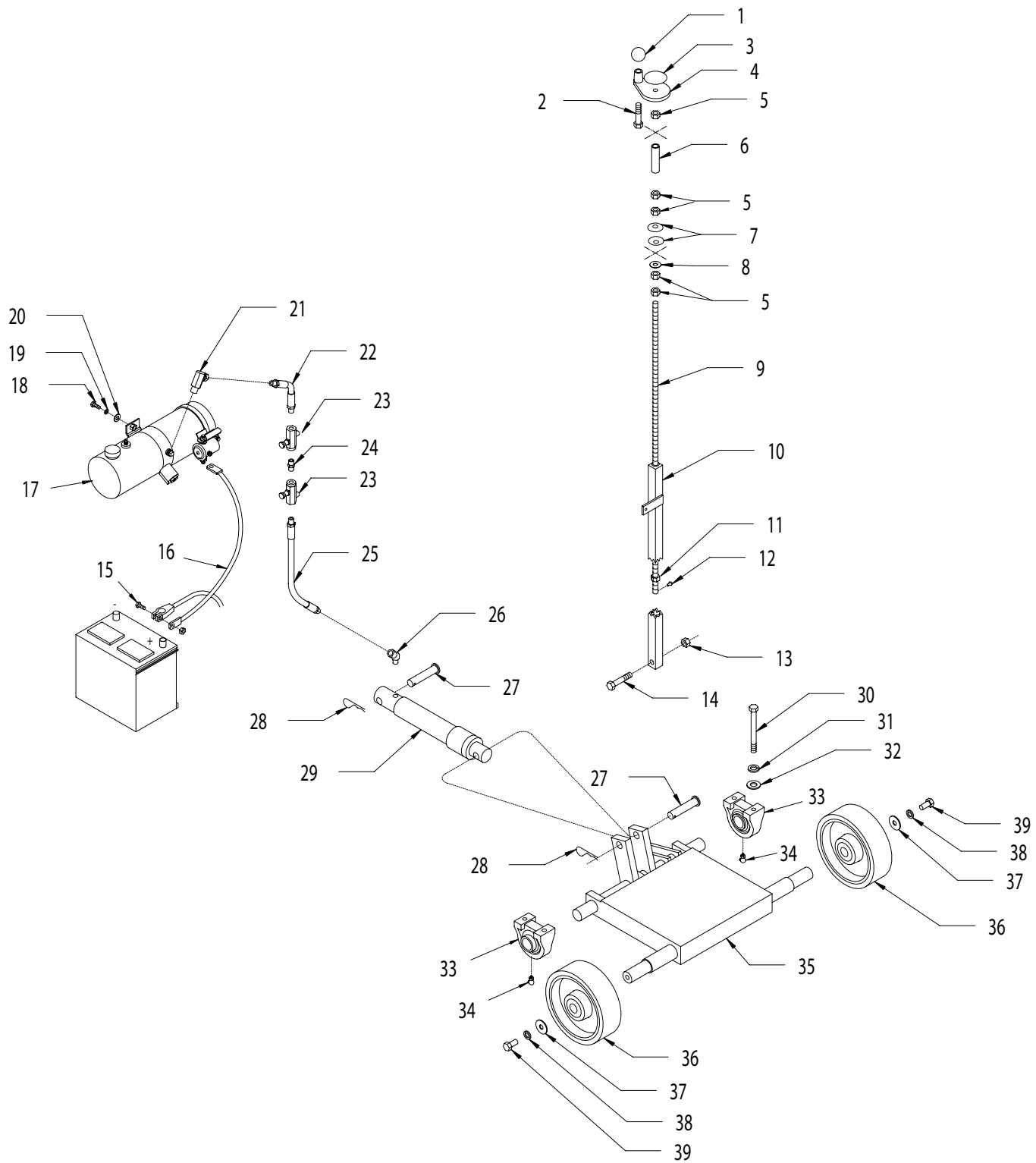
ILLUSTRATION 1 : FRAME ASSEMBLY



PARTS LISTING - ILLUSTRATION 1 : FRAME ASSEMBLY							
ITEM#	PART#	DESCRIPTION	QTY.	ITEM#	PART #	DESCRIPTION	QTY.
1	57439	CONSOLE	1	33	10025	WASHER, FLAT 3/8	2
2	57004	TANK, FUEL 9.75 GAL.	1	34	10907	SCREW, CAP 3/8-16x3/4	1
3	61056	CAP, FUEL TANK	1	35	10811	WASHER, LOCK 3/8	1
4	11650	PIPE PLUG 1/8 NPT (BRASS)	1	36	10025	WASHER, FLAT 3/8	1
5	57005	TUBE, FUEL PICK-UP/RETURN 21-3/4"	1	37	57446	GUARD, ARBOR	1
6	10308	SCREW, CAP 1/2-20x1-1/2	2	38	10055	SCREW, CAP 3/8-16x1	2
7	10312	WASHER, FLAT 1/2	6	39	10811	WASHER, LOCK 3/8	2
8	10205	NUT, LOCK 1/2-20	2	40	10025	WASHER, FLAT 3/8	2
9	10125	PIN, DETENT RING 1/2x1-1/2 E.L.	1	41	57445	GUARD, LOWER PULLEY	1
10	61108	GRIP, HAND 1" MODEL SX	2	42	57460	MAIN FRAME	1
11	57490	HANDLE BAR 46"	2	43	51011	GUIDE POINTER, REAR	1
12	51230	KNOB, STAR CLAMPING 3/8-16x1" STUD	2	44	10834	SCREW, CAP 1/4-20x1/2	2
13	10145	PIN, DETENT RING 3/16x1-5/16 E. L.	2	45	57188	BRACKET, ENGINE MOUNT RIGHT (SEE ILLUSTRATION 11)	1
14	10055	SCREW, CAP 3/8-16x1	8	46	57189	BRACKET, ENGINE MOUNT LEFT (SEE ILLUSTRATION 11)	1
15	10811	WASHER, LOCK 3/8	8	47	57491	SCREW, CAP 5/8-11 X 1/2 (NYLON)	1
16	10025	WASHER, FLAT 3/8	8	48	57117	BAIL, LIFTING	1
17	57148	GROMMET 3/8IDx1/8GRV.x5/8GD	1	49	10308	SCREW, CAP 1/2-20 X 1-1/2	4
18	51253	GROMMET 1-45/64IDx1/8GRV.x2GD	1	50	10312	WASHER, FLAT 1/2	4
19	57425	COVER, BELT	1	51	10045	WASHER, LOCK 1/2	4
20	10053	SCREW, CAP 5/16-18x3/4	3	52	10072	NUT 1/2-20	4
21	10801	WASHER, LOCK 5/16	3	53	57118	STRAP, LIFTING BAIL	1
22	10213	WASHER, FLAT 5/16	3	54	10309	SCREW, CAP 3/8-24 X 1-1/4	1
23	57430	COVER, JACKSHAFT	1	55	10025	WASHER, FLAT 3/8	2
24	10018	SCREW, CAP 1/4-20 X 3/4	2	56	10811	WASHER, LOCK 3/8	1
25	10602	WASHER, FLAT 1/4 SAE	4	57	10014	NUT 3/8-24	1
26	10150	NUT, HEX NYLON LOCK 1/4-20	2	58	10021	SCREW, CAP 3/8-24x1	1
27	57190	COVER EXTENSION, BELT	1	59	10025	WASHER, FLAT 3/8	2
28	10018	SCREW, CAP 1/4-20 X 3/4	3	60	10811	WASHER, LOCK 3/8	1
29	10038	WASHER, LOCK 1/4	3	61	10014	NUT 3/8-24	1
30	10602	WASHER, FLAT 1/4 SAE	3				
31	10907	SCREW, CAP 3/8-16x3/4	2				
32	10811	WASHER, LOCK 3/8	2				



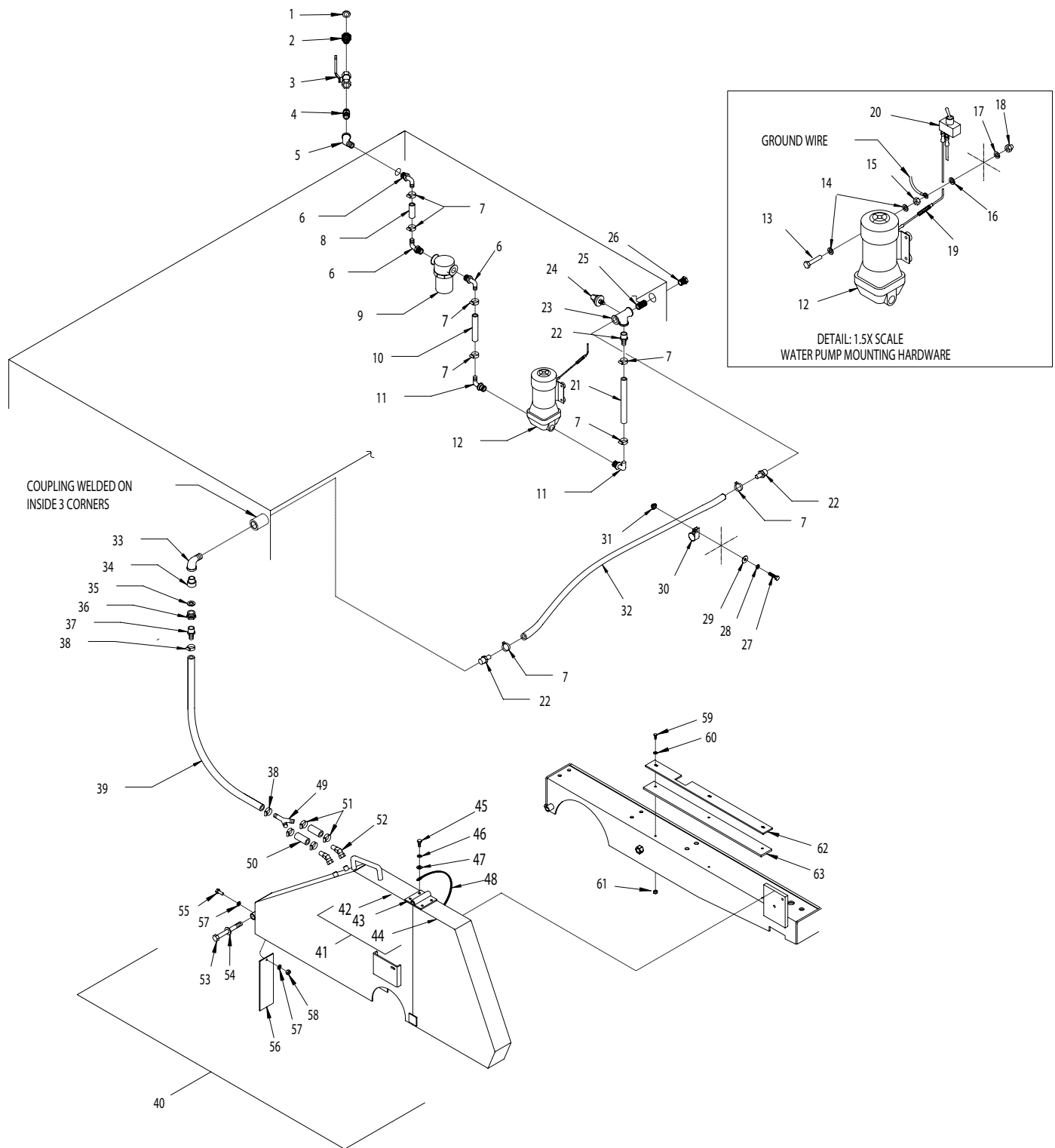
ILLUSTRATION 2 : LIFTING ASSEMBLY



PARTS LISTING - ILLUSTRATION 2 : LIFTING ASSEMBLY			
ITEM #	PART #	DESCRIPTION	QTY.
1	14023	KNOB, BALL 1-3/8 w/ 1/2-13 THD., BLK.	1
2	10323	SCREW, CAP 1/2-13x2-1/2	1
3	80007	DECAL, CUT CONTROL - DN/UP (SMALL)	1
4	57016	HANDWHEEL, SMALL w/ 1/2-13 THD.	1
5	10417	NUT 1/2-13	5
6	57164	SPACER, DEPTH CONTROL LINKAGE 3"	1
7	10426	WASHER, BELLEVILLE 1/2IDx3/64THK	2
8	10312	WASHER, FLAT 1/2	1
9	57163	ROD, ALLTHREAD LINKAGE 1/2-13x26"	1
10	50412	LINKAGE LOWER TUBE	1
11	50455	NUT 1/2-13, SPECIAL	1
12	10127	SCREW, DRIVE 1/8x1/4"L	1
13	10205	NUT, LOCK 1/2-20	1
14	10343	SCREW, CAP 1/2-20x2-1/2	1
15	10342	SCREW, CAP 5/16-18x1-1/2	1
16	50117R	CABLE, EYE-EYE 4GA. X 24" (RED)	1
17	50620	PUMP, HYDRAULIC ELECTRIC, 12VDC M-319	1
18	10055	SCREW, CAP 3/8-16x1	2
19	10811	WASHER, LOCK 3/8	2
20	10025	WASHER, FLAT 3/8	2
21	10794	FITTING, SWIVEL 90D, 3/8x1/4 NPT	1
22	57078	HOSE, HYDRAULIC 1/4 NPTx6-1/2" LOA.	1
23	61116	VALVE, FLOW CONTROL	2
24	10717	NIPPLE, HEX 1/4 NPT (BRASS)	1
25	57079	HOSE, HYDRAULIC 1/4 NPTx14-1/2" LOA.	1
26	10710	FITTING, SWIVEL 45, 1/4 NPT, HYD.	1
27	57023	PIN, CYLINDER 3/4x3-1/2	2
28	61066	PIN, HAIR COTTER 1/2"	2
29	57022	CYLINDER, HYDRAULIC	1
30	10376	SCREW, CAP 1/2-13x5	4
31	10045	WASHER, LOCK 1/2	4
32	10312	WASHER, FLAT 1/2	4
33	50314	BEARING, BALL 1-1/4" TPB	2
34	10961	FITTING, GREASE 1/4-28x90D	2
35	57102	FORK	1
36	57026	WHEEL 8x2-1/2x1" BRG.	2
37	10433	WASHER, BELLEVILLE 1/2IDx3/32THK	2
38	10045	WASHER, LOCK 1/2	2
39	10914	SCREW, CAP 1/2-13x1	2



ILLUSTRATION 3 : WATER PUMP & BLADE GUARD ASSEMBLY



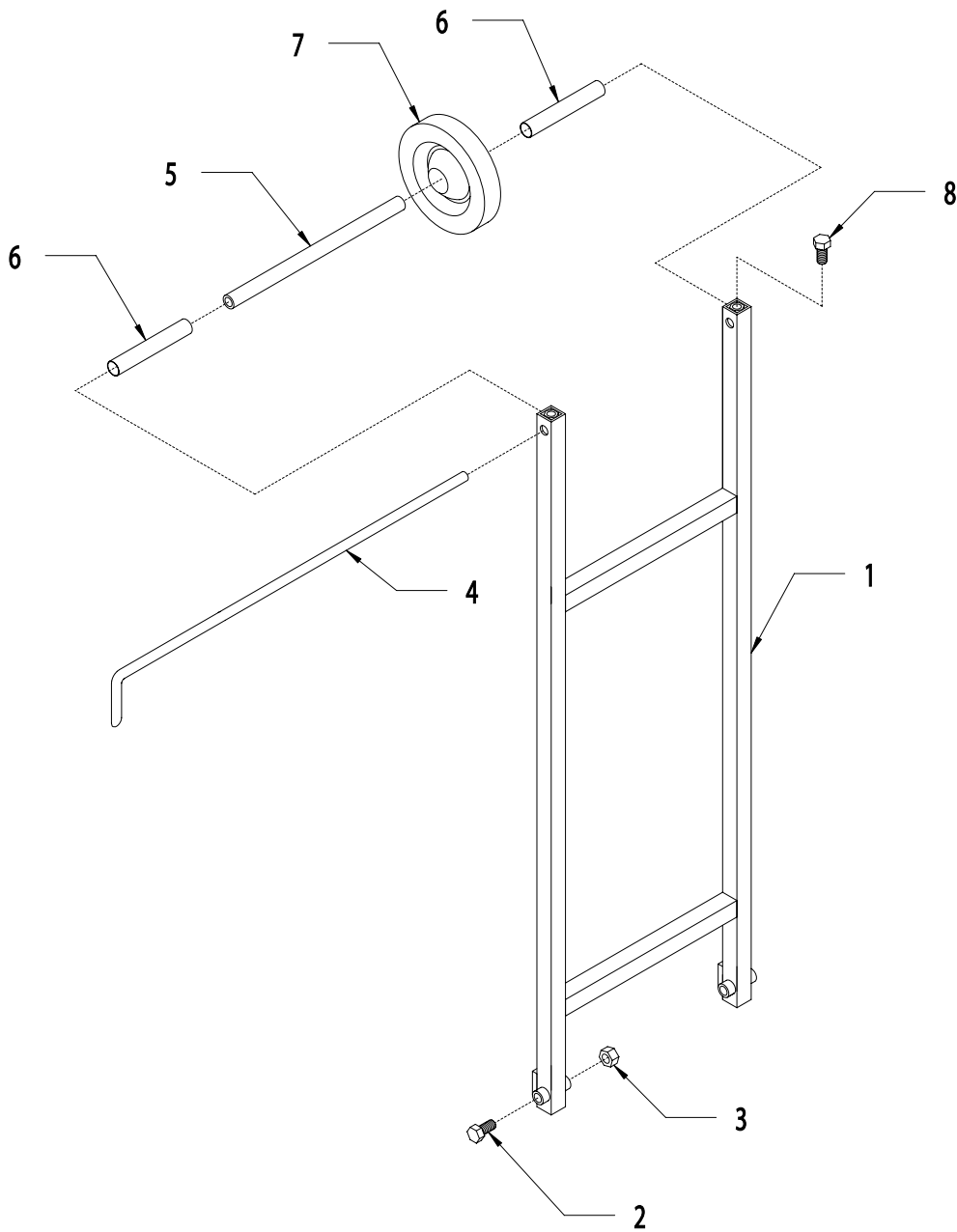
PARTS LISTING - ILLUSTRATION 3 : WATER PUMP & BLADE GUARD ASSEMBLY							
ITEM#	PART#	DESCRIPTION	QTY.	ITEM#	PART#	DESCRIPTION	QTY.
1	10070	WASHER, HOSE 3/4	1	40		GUARD ASSEMBLY, BLADE (ITEMS 42-58)	1
2	80021	CONN., SWIVEL FEM. 3/4 HOSEx 1/2 MPT (INCLUDES ITEM #1)	1	57447A		36" BLADE	
3	10711	VALVE, BALL 1/2 FPT	1	57448A		30" BLADE	
4	10679	NIPPLE, HEX 1/2 NPT (BRASS)	1	57449A		24-26" BLADE	
5	10734	ELBOW, STREET 1/2NPT X 45 (BLK.)	1	57450A		18-20" BLADE	
6	50471	BARB ELBOW 90, 1/2HOSE X 1/2MPT	3	57451A		14-16" BLADE	
7	50069	CLAMP, HOSE, SAE #6, ADJ. TO 13/16	8	41		GUARD ONLY (ITEMS 42-47)	1
8	50532	HOSE, WATER 1/2" ID x 2"L	1	57447		36" BLADE	
9	57170	STRAINER, NYLON T-STYLE 1/2 FPT	1	57448		30" BLADE	
10	57177	HOSE, WATER 1/2"ID x 3-3/4" L	1	57449		24-26" BLADE	
11	50469	PUMP QUAD PORT BARB ELBOW 1/2"	2	57450		18-20" BLADE	
12	50470	PUMP, WATER, 12VDC, FLOJET QUAD	1	57451		14-16" BLADE	
13	10905	SCREW, CAP 1/4-20x1-1/4	4	42		GUARD, BLADE, REAR ONLY	1
14	10602	WASHER, FLAT 1/4	8	57447R		36" BLADE	
15	10015	NUT, LOCK 1/4-20	4	57448R		30" BLADE	
16	10451	WASHER, LOCK, INT. TOOTH 1/4" (USED ON GROUND ONLY)	1	57449R		24-26" BLADE	
17	10038	WASHER, LOCK 1/4	4	57450R		18-20" BLADE	
18	10876	NUT, ACORN 1/4-20	4	57451R		14-16" BLADE	
19	50447	FUSE & HOLDER, 10AMP	1	43	11617	HINGE, BUTT 3x3x7 GA. S.S.	1
20	10633	SWITCH, TOGGLE SPST (SEE ILLUS. 12, ITEM 6)	1	44		GUARD, BLADE, FRONT ONLY	1
21	57176	HOSE, WATER 1/2"ID x 7-1/4"L	1	57447F		36" BLADE	
22	10680	BARB, 1/2 HOSE x 1/2 MPT (PLASTIC)	3	57448F		30" BLADE	
23	50525	PIPE TEE, WATER PRESSURE SWITCH 1/2 NPT	1	57449F		24-26" BLADE	
24	50215	SWITCH, PRESSURE, COIL IGN., N.O.	1	57450F		18-20" BLADE	
25	10728	PIPE NIPPLE, CLOSE 1/2 NPT (BLACK)	1	57451F		14-16" BLADE	
26	50552	PIPE PLUG 1/2 NPT (BRASS)	1	45	10834	SCREW, CAP 1/4-20 X 1/2	4
27	10031	SCREW, CAP 1/4-20x1	1	46	10038	WASHER, LOCK 1/4	4
28	10038	WASHER, LOCK 1/4	1	47	10602	WASHER, FLAT 1/4	1
29	10602	WASHER, FLAT 1/4	1	48		PIN&CABLE ASSEMBLY, BLADE GUARD	1
30	11565	CLAMP, LOOM, 5/8 (SAE SIZE 10)	1	57481		36" BLADE GUARD	
31	10861	NUT, KEPS 1/4-20	1	57482		30" BLADE GUARD	
32	57185	HOSE, WATER 1/2"ID x 23"L	1	57483		24-26" BLADE GUARD	
33	10724	ELBOW, STREET 1/2 NPT x 90 (BLACK)	1	57484		18-20" BLADE GUARD	
34	80021	CONN., SWIVEL FEM. 3/4 HOSEx 1/2 MPT (INCLUDES ITEM #35)	1	57485		14-16" BLADE GUARD	
35	10070	WASHER, HOSE 3/4	1	49	10682	BARBED FITTING, "Y" 1/2" HOSE	1
36	10780	CONN., MALE 3/4Hx1/2 FPT	1	50	50532	HOSE, WATER 1/2"IDx2"L	2
37	80061	BARB, PUSH-ON 1/2 HOSEx1/2 MPT	1	51	50069	CLAMP, HOSE, SAE #6, ADJ. TO 13/16	4
38	50069	CLAMP, HOSE, SAE #6, ADJ. to 13/16	2	52	10710	FITTING, SWIVEL45, 1/4 NPT, HYD. (USE ON 30-36" GUARDS)	2
39		HOSE 1/2"ID (DIFFERENT LENGTHS)	1	*53	11628	SCREW, CAP 5/8-11 X 4	1
	57182	20"L FOR 36" GUARD		*54	10457	WASHER, LOCK, INT. TOOTH 5/8"	1
	57183	24"L FOR 30" GUARD		55	10018	SCREW, CAP 1/4-20x3/4	1
	57184	32"L FOR 24-26" GUARD		56	41115	FLAP, SPLASH 2-1/2x8	1
	57184	32"L FOR 18-20" GUARD		57	10602	WASHER, FLAT 1/4	2
	57184	32"L FOR 14-16" GUARD		58	10015	NUT, LOCK 1/4-20	1
				59	10031	SCREW, CAP 1/4-20x1	3
				60	10602	WASHER, FLAT 1/4	3
				61	10150	NUT, HEX NYLON LOCK 1/4-20	3
				62	57473	RETAINING STRIP, RUBBER SEAL	1
				63	57474	RUBBER SEAL, BLADE GUARD	1
				* USED ONLY ON 30"-36" BLADE GUARDS			



100 Thomas Johnson Drive, Frederick, MD 21702-4600 USA
 Phone (301) 663-1600 • 1-800-638-3326
 Fax (301) 663-1607 • 1-800-447-3326
 Website: www.edcoinc.com • Email: sales@edcoinc.com

Printed in USA
 ©2004

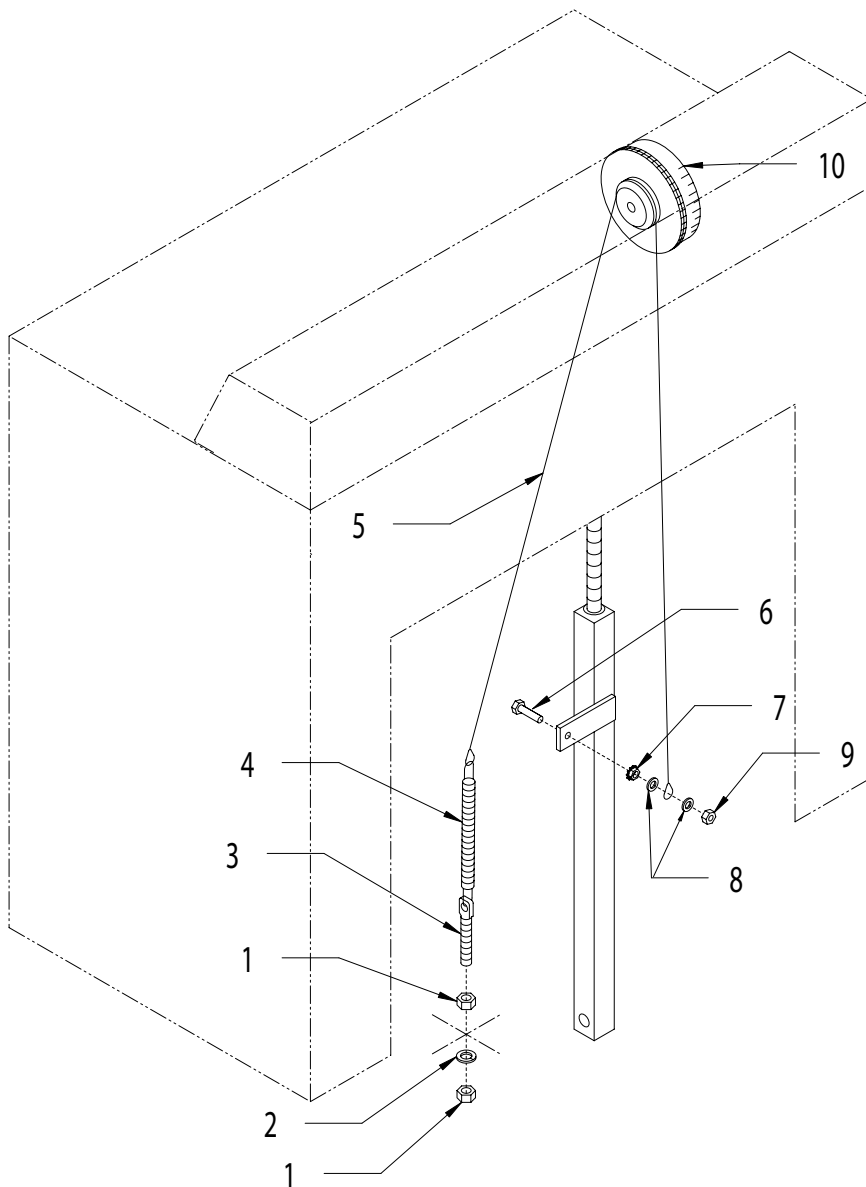
ILLUSTRATION 4 : GUIDE BAR ASSEMBLY



ITEM#	PART#	DESCRIPTION	QTY.
1	57119	GUIDE BAR	1
2	10202	SCREW, CAP 1/2-20x3	2
3	10205	NUT, LOCK 1/2-20	2
4	50514	POINTER, FRONT 24-1/2"	1
5	57120	AXLE TUBE, GUIDE WHEEL	1
6	57171	SPACER TUBE 5-1/16, GUIDE BAR WHEEL	2
7	50536	WHEEL 5x1-1/2x3/4" BORE	1
8	10304	SCREW, CAP 1/2-20x1	2



ILLUSTRATION 5 : BLADE DEPTH GAUGE ASSEMBLY



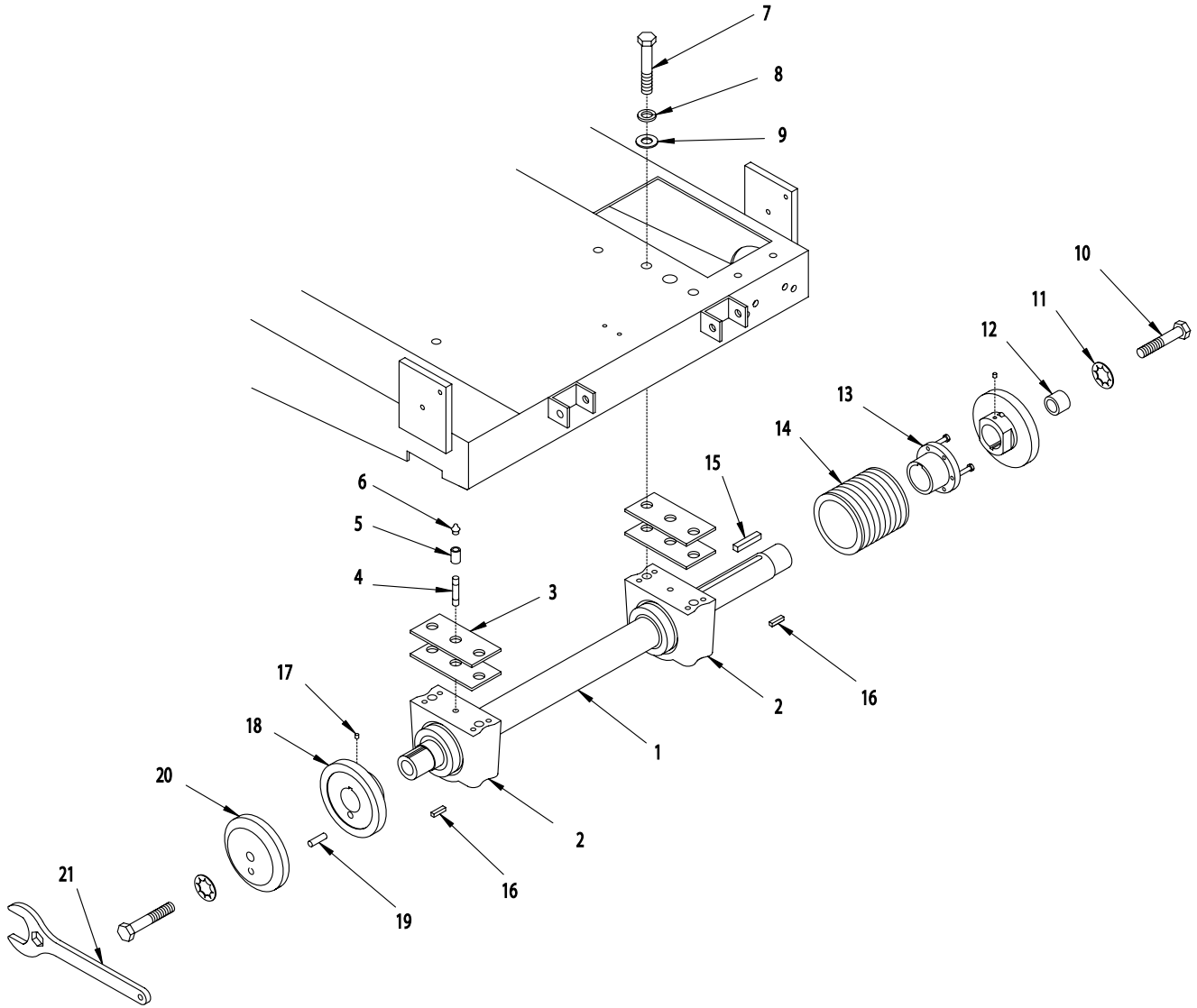
ITEM #	PART #	DESCRIPTION	QTY.
1	10404	NUT 3/8-16	2
2	10811	WASHER, LOCK 3/8	1
3	10845	BOLT, SPADE 3/8-16x4 1/8	1
4	3636	SPRING , EXT. 6"L ("A" ADAPTER)	1
5	51069	CABLE, DEPTH GAUGE 3/32 x 39"L	1
6	10031	SCREW, CAP 1/4-20x1	1
7	10861	NUT, KEPS 1/4-20	1
8	10602	WASHER, FLAT 1/4	2
9	10150	NUT, HEX NYLON LOCK 1/4-20	1
10	57132	WHEEL, DEPTH GAUGE (SEE ILLUS. 13, ITEM 17-23)	1



100 Thomas Johnson Drive, Frederick, MD 21702-4600 USA
 Phone (301) 663-1600 • 1-800-638-3326
 Fax (301) 663-1607 • 1-800-447-3326
 Website: www.edcoinc.com • Email: sales@edcoinc.com

Printed in USA
 ©2004

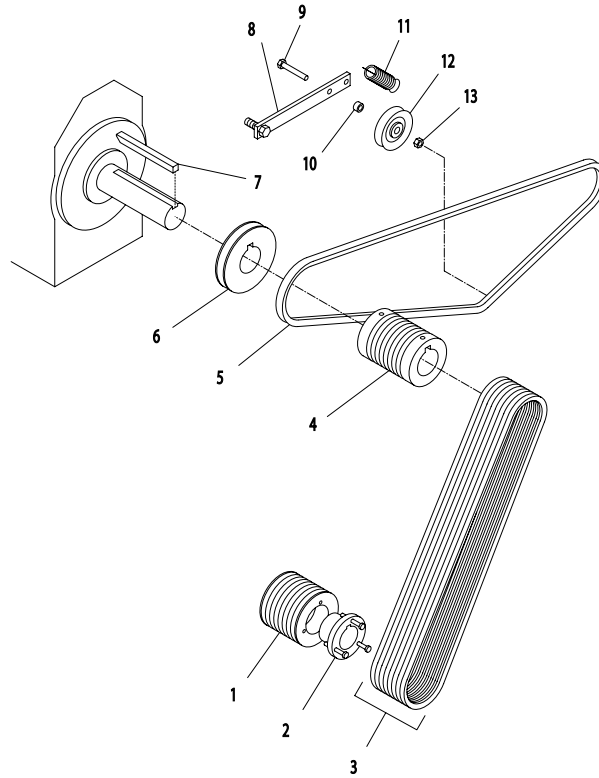
ILLUSTRATION 6 : ARBOR ASSEMBLY



ITEM#	PART#	DESCRIPTION	QTY.	ITEM#	PART#	DESCRIPTION	QTY.
1	57401	ARBOR SHAFT 32"L	1	14		SHEAVE	1
2	57157	BEARING, ROLLER 1-3/4" TPB	2		57160	4.12" ODx8 GR.3VxSD	
3	57115	SHIM, ARBOR BEARING	4		57076	5.30" ODx8 GR.3VxSK	
4	10699	PIPE NIPPLE 1/8 NPT x 2" (BLACK)	2	15	57441	KEY 3/8SQ.x3-3/8	1
5	10585	PIPE COUPLING 1/8 NPT (BLACK STEEL)	2	16	10174	KEY 1/4 SQ.x1	2
6	10953	FITTING, GREASE 1/8NPT STRAIGHT	2	17	10161	SCREW, SET 1/4-28x5/16	2
7	10483	SCREW, CAP 5/8-18x3 3/4	4	18		ARBOR BACKING PLATE	2
8	10041	WASHER, LOCK 5/8	4		57404	6" (USED FOR 30-36" BLADES)	
9	10073	WASHER, FLAT 5/8	4		57402	5" (USED FOR 14-26" BLADES)	
10	10359	SCREW, CAP 5/8-11x3-1/4	2	19	50722	PIN, SHEAR PROOF 3/8x1-1/2	1
11	10457	WASHER, LOCK, INT. TOOTH 5/8"	2	20		ARBOR BLADE CAP	1
12	10096	COLLAR, LOCKING 5/8"ID	1		57405	6" (USED FOR 30-36" BLADES)	
13		BUSHING, SHEAVE	1		57403	5" (USED FOR 14-26" BLADES)	
	10527	SDx1-3/4" BORE		21	57406	WRENCH, ARBOR COMBINATION	2
	57075	SK x 1-3/4" BORE				2" & 15/16"	



ILLUSTRATION 7 : BELT DRIVE GROUPING



ITEM#	PART#	DESCRIPTION	QTY.	ITEM#	PART#	DESCRIPTION	QTY.
*1		SHEAVE	1	*5		BELT	1
	57160	4.12"ODx8GR.3VxSD			10265	BP-65	
	57076	5.30"ODx8GR.3VxSK		10266	BP-66		
2		BUSHING, SHEAVE	1	6	10521	SHEAVE 5"ODx1GR.ABx2"BORE	1
	10527	SDx1-3/4"BORE		7	10123	KEY 1/2SQx5-1/2	1
	57075	SKx1-3/4"BORE		8	57056	IDLERARM	1
*3		BELT	8	9	10393	SCREW, CAP 3/8-24x2-1/2	1
	10243	3VX-530 COG (SINGLE)		10	10011	SPACER, STL 5/8ODx3/8IDx3/8THK	1
	10246	3VX-560 COG (SINGLE)		11	50074	SPRING, EXT. 1"ODx3-15/16	1
*4		SHEAVE	1	12	50115	IDLER PULLEY 3"ODx1GR.ABx3/8"B	1
	10517	3.65"ODx8GR.3Vx2"BORE (SOLID 1-PIECE)		13	10004	NUT, LOCK 3/8-24	1
	10518	4.75"ODx8GR.3VxSK (REQUIRES SKx2" BUSHING)		*NOTE: SEE CHART BELOW FOR SPECIFICATIONS			
	10519	5.60"ODx8GR.3VxSK (REQUIRES SKx2" BUSHING)					
	10520	BUSHING, SHEAVE SK X 2"BORE					

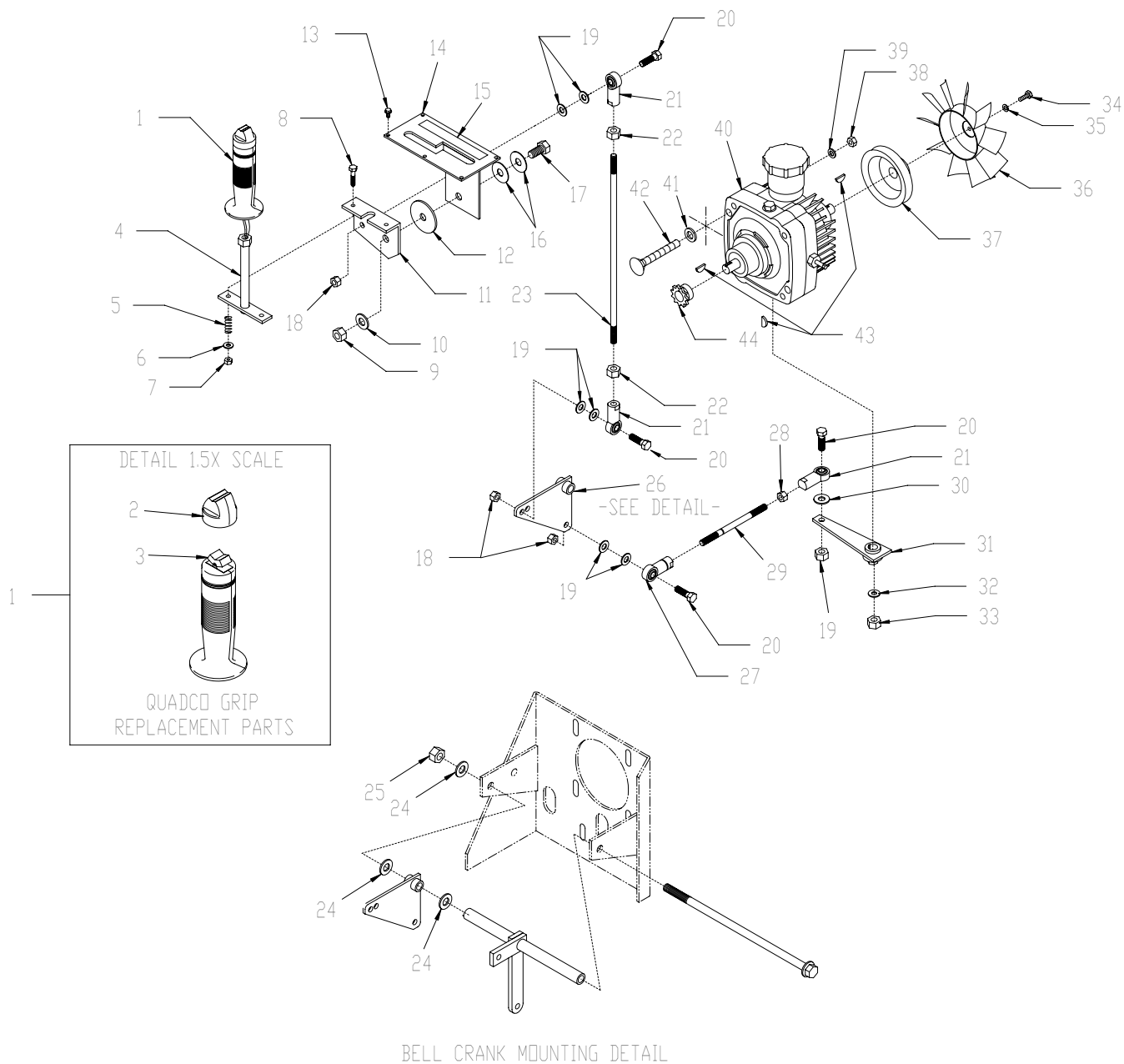
BLADE SIZES & BELT DRIVE SPECIFICATIONS						
BLADE SIZE	BLADE SPEED (RPM) UNDER LOAD	ENGINE RPM UNDER LOAD	ENGINE SHEAVE DIA. ITEM#4	ARBOR SHEAVE DIA. ITEM#1	ARBOR BELT SIZE ITEM#3	TRANS. BELT SIZE ITEM#5
30-36"	1446	2100	3.65" 1PC	5.30" SK	3VX-530	BP-66
24-26"	1860	2100	3.65" 1PC	4.12" SD	3VX-530	BP-65
18-20"	2421	2100	4.75" SK	4.12" SD	3VX-530	BP-66
14-16"	2854	2100	5.60" SK	4.12" SD	3VX-560	BP-65



100 Thomas Johnson Drive, Frederick, MD 21702-4600 USA
 Phone (301) 663-1600 • 1-800-638-3326
 Fax (301) 663-1607 • 1-800-447-3326
 Website: www.edcoinc.com • Email: sales@edcoinc.com

Printed in USA
 ©2004

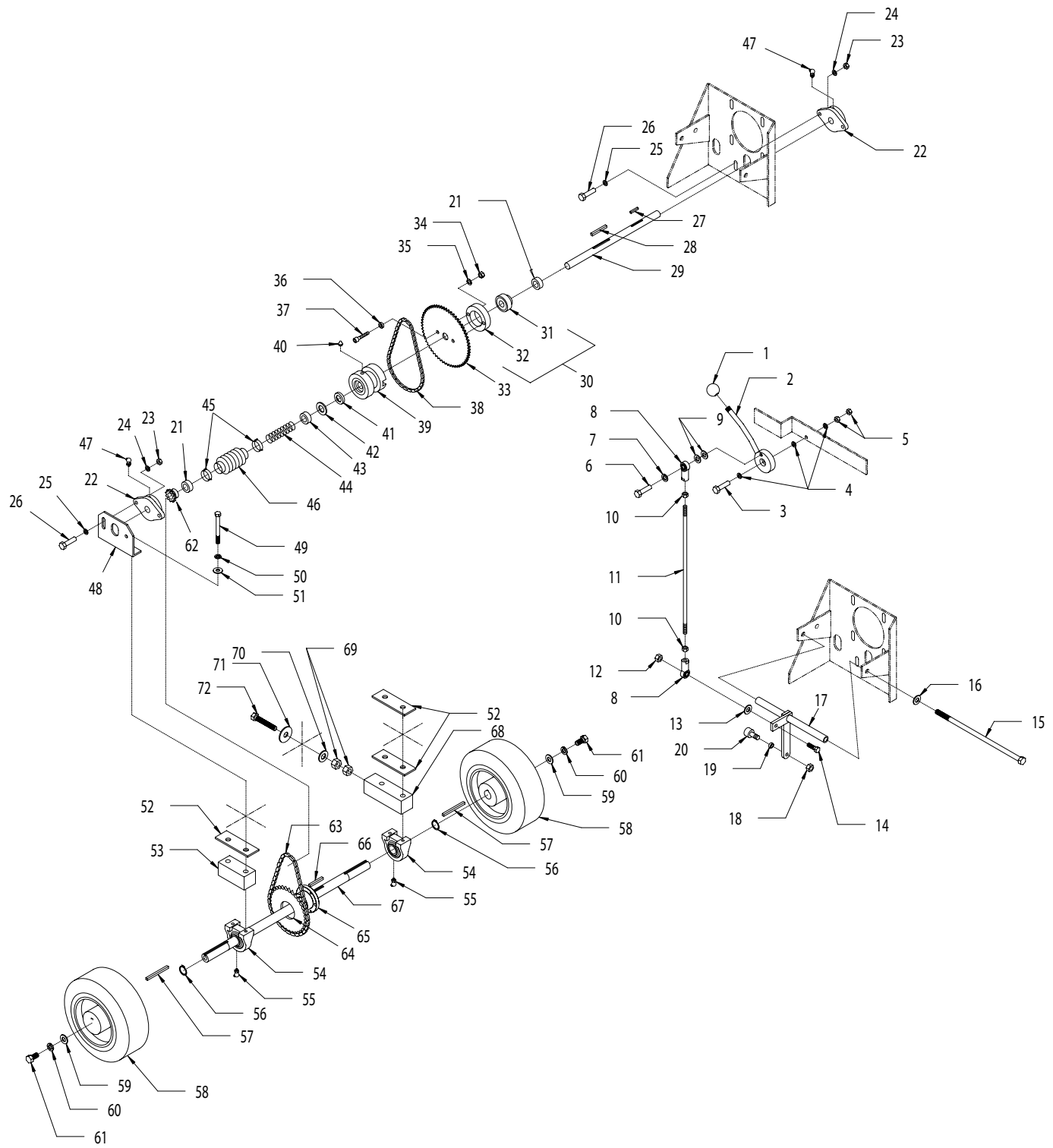
ILLUSTRATION 8 : TRANSMISSION ASSEMBLY



PARTS LISTING - ILLUSTRATION 8 : TRANSMISSION ASSEMBLY			
ITEM #	PART#	DESCRIPTION	QTY.
1	50610	GRIP w/ ROCKER SWITCH, QUADCO G301	1
2	50615	CAP (RUBBER BOOT) "QUADCO" GRIP	1
3	50614	SWITCH, ROCKER, C&K #7105	1
4	50608	LEVER, DRIVE	1
5	57471	SPRING, COMP. .468"OD x 1.25" FL	2
6	10602	WASHER, FLAT 1/4	2
7	10015	NUT, LOCK 1/4-20	2
8	10315	SCREW, CAP 1/4-20x1-1/2	2
9	10205	NUT, LOCK 1/2-20	1
10	10312	WASHER, FLAT 1/2	1
11	50613	PLATE, DRIVE LEVER PRESSURE	1
12	50428	WASHER, FIBER 2-1/4OD x 1/2ID x 1/8	1
13	10877	SCREW, CAP STSHW 10-24x1/2	5
14	50607	GATE, DRIVE LEVER	1
15	91144	DECAL, DRIVE CONTROL	1
16	10426	WASHER, BELLEVILLE 1/2IDx3/64THK	2
17	10321	SCREW, CAP 1/2-20x1-1/4	1
18	10004	NUT, LOCK 3/8-24	4
19	10025	WASHER, FLAT 3/8	6
20	10309	SCREW, CAP 3/8-24x1-1/4	4
21	10919	ROD END, FEMALE 3/8-24 R.H. THREAD	3
22	10014	NUT 3/8-24	2
23	57124	LINKAGE, ROD 3/8x14-5/8"L	1
24	10312	WASHER, FLAT 1/2	3
25	10407	NUT, LOCK 1/2-13	1
26	57123	BELLCRANK, DRIVE CONTROL	1
27	10919L	ROD END, FEMALE 3/8-24 L.H. THREAD	1
28	10014	NUT 3/8-24	1
29	50420	LINKAGE, ROD 3/8x5-3/4"L	1
30	10025	WASHER, FLAT 3/8	1
31	50422	TRANS. CONTROL ARM	1
32	10811	WASHER, LOCK 3/8	1
33	10404	NUT 3/8-16	1
34	10018	SCREW, CAP 1/4-20x3/4	1
35	10038	WASHER, LOCK 1/4	1
36	50266	FAN BLADE W/ PLATE 7", TRANSMISSION	1
37	50062	SHEAVE, TRANS. 4"OD x 1 GR x .671"B	1
38	10404	NUT 3/8-16	4
39	10811	WASHER, LOCK 3/8	4
40	50061	TRANSMISSION, HYDROSTATIC	1
41	10040	WASHER, GARRET 17/32"ID x 1"OD x .054" THK	4
42	10909	BOLT, CARRIAGE 3/8-16x3	4
43	50071	KEY, WOODRUFF 1/8x1/2 (#404)	3
44	57046	SPROCKET #4010 x .67" BORE	1



ILLUSTRATION 9 : CLUTCH & REAR AXLE ASSEMBLY



PARTS LISTING - ILLUSTRATION 9 : CLUTCH & REAR AXLE ASSEMBLY

ITEM #	PART#	DESCRIPTION	QTY.	ITEM #	PART #	DESCRIPTION	QTY.
1	14023	KNOB, BALL 1-3/8 W/ 1/2-13THD., BLK.	1	35	10811	WASHER, LOCK 3/8	2
				36	10113	SPACER, STL 9/16ODx3/8IDx7/32"	2
2	50611	LEVER, CLUTCH	1	37	10354	SCREW, SKT.HD.CAP 3/8-24x1-3/4	2
3	10816	SCREW, CAP 3/8-24x1-1/2	1	38	57041	CHAIN #40 x 27" LOA.	1
4	10025	WASHER, FLAT 3/8	3	39	57042	CLUTCH, DOG BLOCK	1
5	10004	NUT, LOCK 3/8-24	2	40	10808	FITTING, GREASE 1/4-28 STRAIGHT	1
6	10309	SCREW, CAP 3/8-24x1-1/4	1	41	3695	SEAL, OIL .750x1.375x.250	1
7	10811	WASHER, LOCK 3/8	1	42	10009	WASHER, FLAT 3/4	1
8	10919	ROD END, FEM. 3/8-24 R.H. THD.	2	43	57044	CLUTCH SPRING CUP	1
9	10025	WASHER, FLAT 3/8	2	44	10922	SPRING, COMP. 1"ODx3.75" FL	1
10	10014	NUT 3/8-24	2	45	10768	CLAMP, HOSE, SAE #16, ADJ. TO 1-1/2"	2
11	50612	LINKAGE, ROD 3/8x17"L	1	46	10930	BELLOWS 1-1/4IDx2-3/8ELx1-3/4RL	1
12	10004	NUT, LOCK 3/8-24	1	47	10960	FITTING, GREASE 1/4-28x45D	2
13	10025	WASHER, FLAT 3/8	1	48	57116	MOUNT, JACKSHAFT BEARING	1
14	10309	SCREW, CAP 3/8-24x1-1/4	1	49	10376	SCREW, CAP 1/2-13x5	4
15	10355	SCREW, CAP 1/2-13x11	1	50	10045	WASHER, LOCK 1/2	4
16	10312	WASHER, FLAT 1/2	1	51	10312	WASHER, FLAT 1/2	4
17	57032	BELL CRANK, CLUTCH	1	52	57114	SHIM, AXLE BEARING	3
18	10004	NUT, LOCK 3/8-24	1	53	57112	SPACER, BEARING 4-1/2"	1
19	10113	SPACER, STL 9/16ODx3/8IDx7/32"	1	54	50314	BEARING, BALL 1-1/4"TPB	2
20	10924	CAM FOLLOWER BEARING 3/4" x 3/8-24 THREAD	1	55	10960	FITTING, GREASE 1/4-28x45D	2
				56	10906	RETAINING RING, EXT. 1"	2
21	10428	COLLAR, LOCKING 3/4"ID	2	57	10132	KEY 1/4 SQ.x3	2
22	50049	BEARING, BALL 3/4" 2-HOLE FLANGE	2	58	57034	WHEEL 10x3x1-1/4" BORE	2
				59	10433	WASHER, BELLEVILLE 1/2IDx3/32THK	2
23	10014	NUT 3/8-24	4	60	10045	WASHER, LOCK 1/2	2
24	10811	WASHER, LOCK 3/8	4	61	10914	SCREW, CAP 1/2-13x1	2
25	10025	WASHER, FLAT 3/8	4	62	50436	SPROCKET #40B10x3/4" BORE	1
26	10309	SCREW, CAP 3/8-24x1-1/4	4	63	57282	CHAIN #40 x 29"+ OL + CL	1
27	10016	KEY 3/16 SQ.x1-1/2	1	64	57037B	SPROCKET #40SDS48	1
28	10307	KEY 1/4 SQ.x2-1/4	1	65	10064	BUSHING, SHEAVE SDS X 1-1/4"BORE	1
29	57045	JACKSHAFT, CLUTCH 3/4x14"L	1	66	10071	KEY 1/4 SQ.x2-1/2	1
30	57038A	BEARING & CARRIER ASSY., CLUTCH	1	67	57129	AXLE SHAFT 1-1/4"DIA.x29"L	1
				68	57113	SPACER, BEARING 6"	1
31	57038	BEARING, BALL 3/4"IDx1.8504" OD	1	69	10417	NUT 1/2-13	2
32	57039	CARRIER, CLUTCH BEARING	1	70	10312	WASHER, FLAT 1/2	1
33	57040	SPROCKET, CLUTCH #40A48x13/16" BORE	1	71	10433	WASHER, BELLEVILLE 1/2IDx3/32THK	1
				72	10392	BOLT, TAP 1/2-13 X 4 (FULL THREAD)	1
34	10014	NUT 3/8-24	2				



100 Thomas Johnson Drive, Frederick, MD 21702-4600 USA

Phone (301) 663-1600 • 1-800-638-3326

Fax (301) 663-1607 • 1-800-447-3326

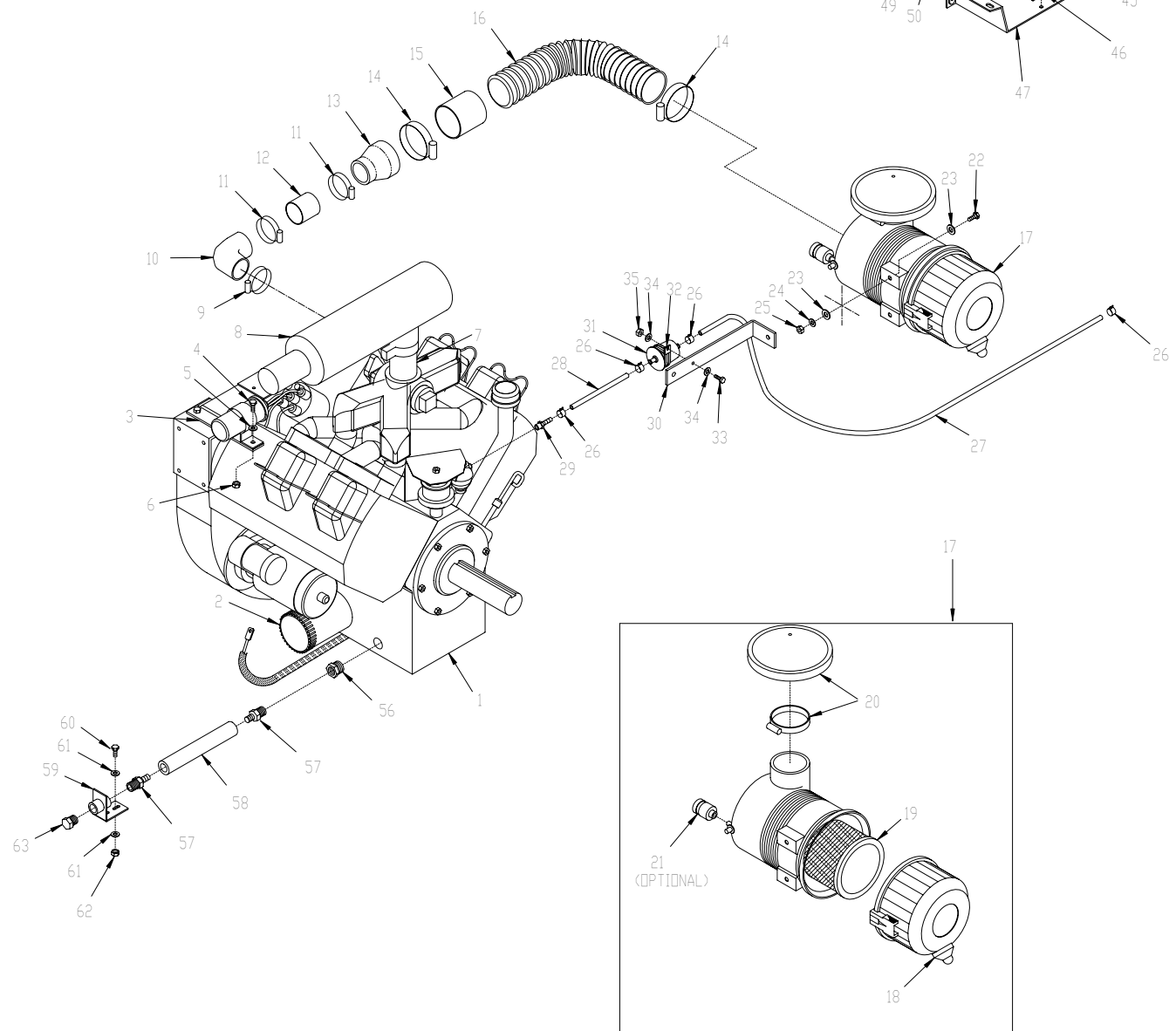
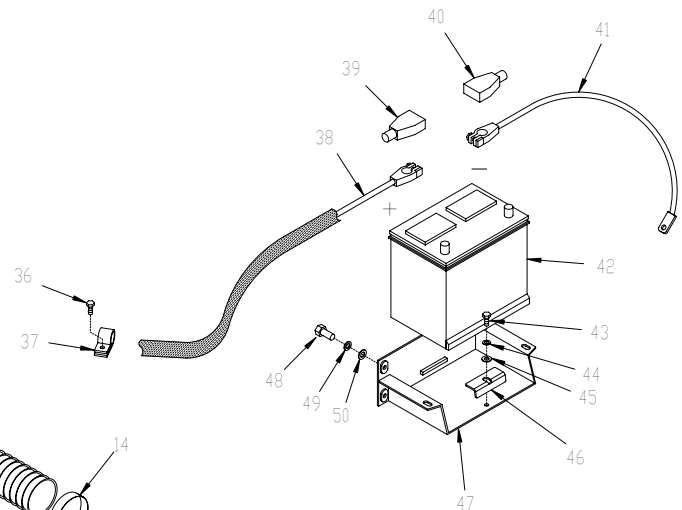
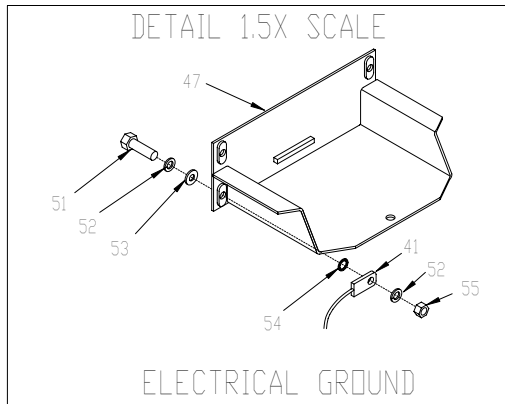
Website: www.edcoinc.com • Email: sales@edcoinc.com

Printed in USA

©2004

Page 17

ILLUSTRATION 10 : ENGINE GROUPING

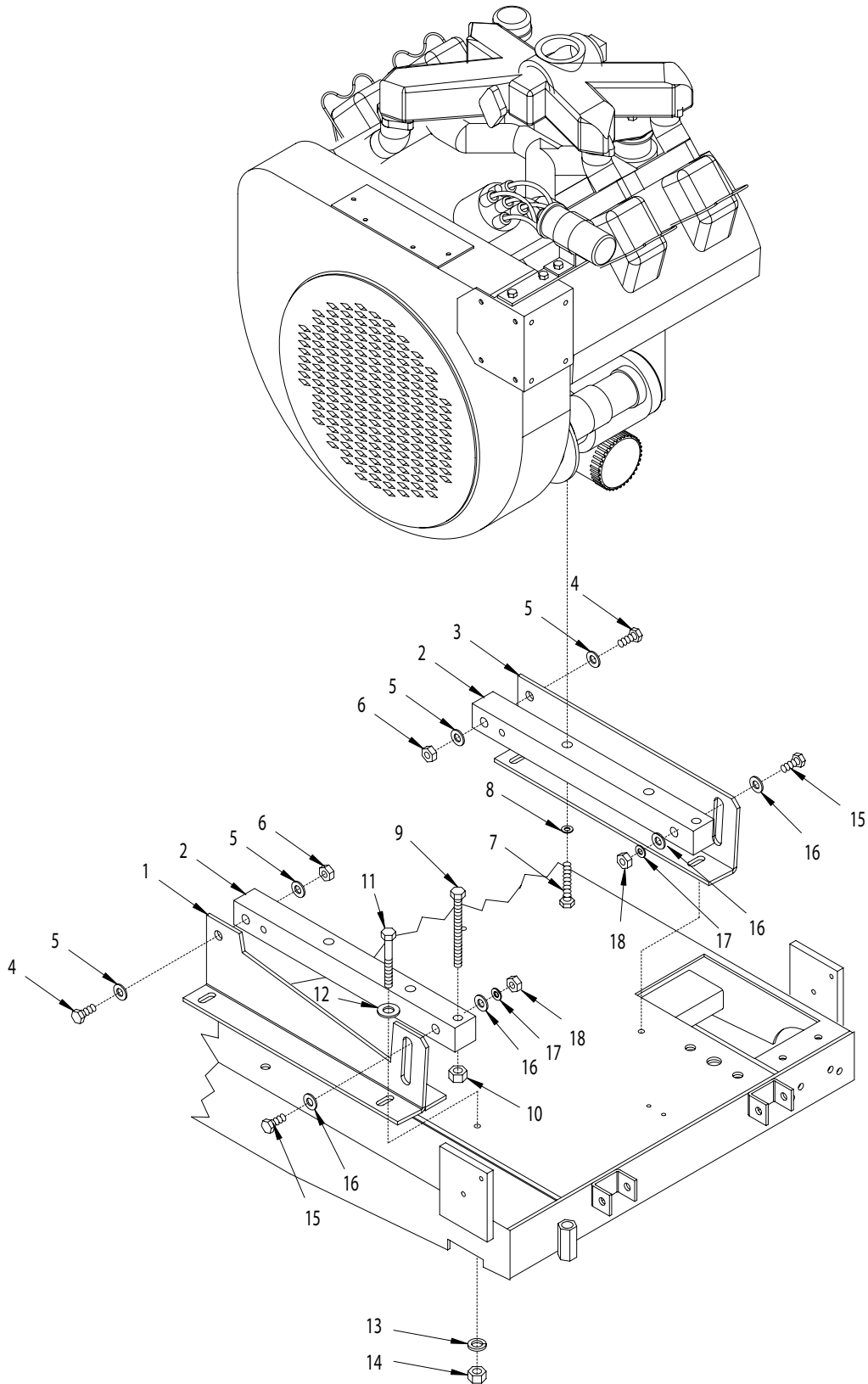


PARTS LISTING - ILLUSTRATION 10 : ENGINE GROUPING

ITEM#	PART#	DESCRIPTION	QTY.	ITEM#	PART#	DESCRIPTION	QTY.
1	31201	ENGINE, WISCONSIN 65.9 HP V465D	1	33	10031	SCREW, CAP 1/4-20x1	1
2	15119	FILTER, OIL WISC. V-465D 65 HP	1	34	10602	WASHER, FLAT 1/4	2
3	15164	BRACKET, COIL, 65 HP WISCONSIN	1	35	10150	NUT, HEX NYLON LOCK 1/4-20	1
4	10053	SCREW, CAP 5/16-18 X 3/4	2	36	10846	SCREW, CAP STSHW 1/4-20x1/2	1
5	10213	WASHER, FLAT 5/16	2	37	41124	CLAMP, CONDUIT 1/2"EMT (SNAP-STRAP)	1
6	10807	NUT, LOCK 5/16-18	2	38	57055	CABLE, BATTERY 4GA.x53" (RED)	1
7	10732	PIPE NIPPLE 2"NPT X 3-1/4" (BLACK)	1	39	10928	INSULATOR, BAT.TERM.POST (RED)	1
8	10649	MUFFLER WD-76	1	40	10929	INSULATOR, BAT.TERM.POST (BLACK)	1
9	10766	CLAMP, HOSE, SAE #28, ADJ. TO 2-1/4	1	41	50323B	CABLE, BATTERY 4GA.x12" (BLACK)	1
10	10638	HOSE ELBOW, REDUCER 2" TO 1-3/4"	1	42	50321	BATTERY 12 VOLT/400 CCA (POST TERM.)	1
11	10745	CLAMP, HOSE, SAE #36, ADJ. TO 2-3/4	2	43	10068	SCREW, CAP 3/8-16x1-1/2	1
12	57461	PIPE, 2"OD X 2"L, AIR CLEANER	1	44	10811	WASHER, LOCK 3/8	1
13	15153	ADAPTOR, RUBBER, 3" X 2" W/ CLAMPS	1	45	10025	WASHER, FLAT 3/8	1
14	10849	CLAMP, HOSE, SAE #52, ADJ. TO 3-3/4	1	46	57152	CLAMP, BATTERY HOLD-DOWN	1
15	57462	PIPE, 3"ODx3"L, AIR CLEANER	1	47	57107	TRAY, BATTERY	1
16	57191	HOSE, AIR CLEANER, 3"x17"L	1	48	10907	SCREW, CAP 3/8-16x3/4	3
17	15150	AIR CLEANER ASSY., 3-FW-E1	1	49	10811	WASHER, LOCK 3/8	3
18	15144	AIR CLEANER DUCKBILL DRAIN	1	50	10025	WASHER, FLAT 3/8	3
19	15151	ELEMENT, AIR FILTER PRIMARY	1	51	10333	SCREW, CAP 3/8-16x1-1/4	1
20	15152	CAP, RAIN, AIR CLEANER	1	52	10811	WASHER, LOCK 3/8	2
21	15154	AIR CLEANER DUST LOAD INDICATOR	1	53	10025	WASHER, FLAT 3/8	1
22	10053	SCREW, CAP 5/16-18x3/4	2	54	10453	WASHER, LOCK, INT. TOOTH 3/8"	1
23	10213	WASHER, FLAT 5/16	4	55	10404	NUT 3/8-16	1
24	10801	WASHER, LOCK 5/16	2	56	10726	BUSHING, HEX 3/4x1/2 NPT (BRASS)	1
25	10054	NUT 5/16-18	2	57	80061	BARB, PUSH-ON 1/2HOSEx1/2MPT	2
26	10762	CLAMP, HOSE SPRING-TYPE 3/8" GREEN	4	58	57173	HOSE, PUSH-ON 1/2" IDx9"L (BLACK)	1
27	57166	HOSE, FUEL 1/4"IDx43"L	1	59	57159	BRACKET, OIL DRAIN	1
28	57165	HOSE, FUEL 1/4"IDx10"L	1	60	10018	SCREW, CAP 1/4-20x3/4	2
29	10708	BARB, 1/4HOSEx1/8MPT	1	61	10602	WASHER, FLAT 1/4	4
30	57118	STRAP, LIFTING BAIL	1	62	10861	NUT, KEPS 1/4-20	2
31	15116	FILTER, FUEL 1/4" IN LINE	1	63	50552	PIPE PLUG 1/2 NPT (BRASS)	1
32	11566	CLAMP, LOOM, 1-3/4" (SAE SIZE 28)	1				



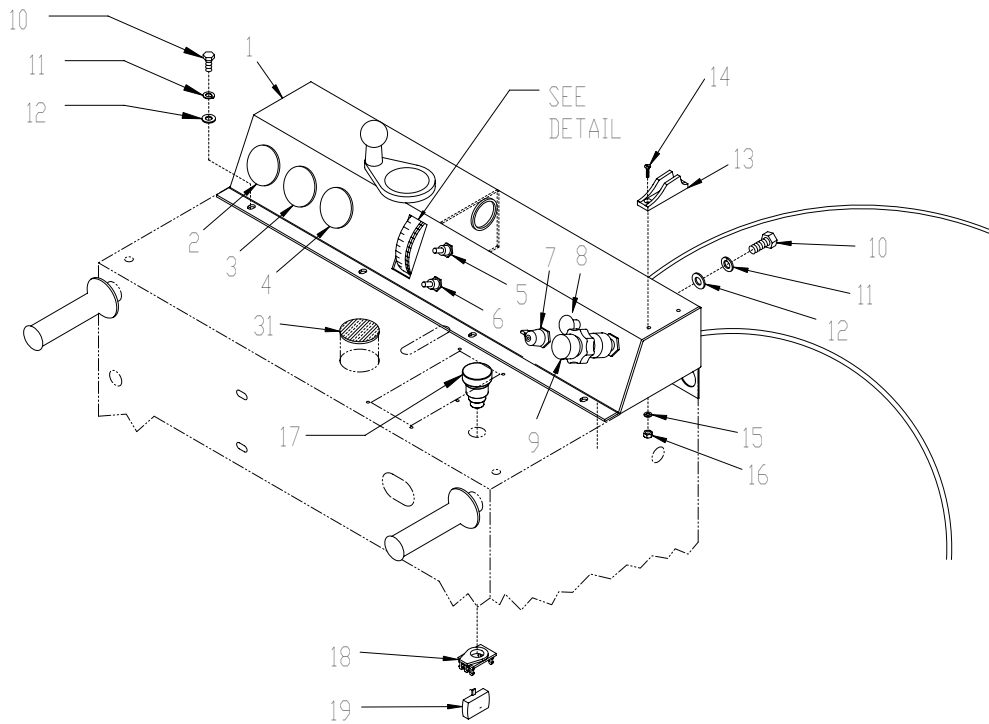
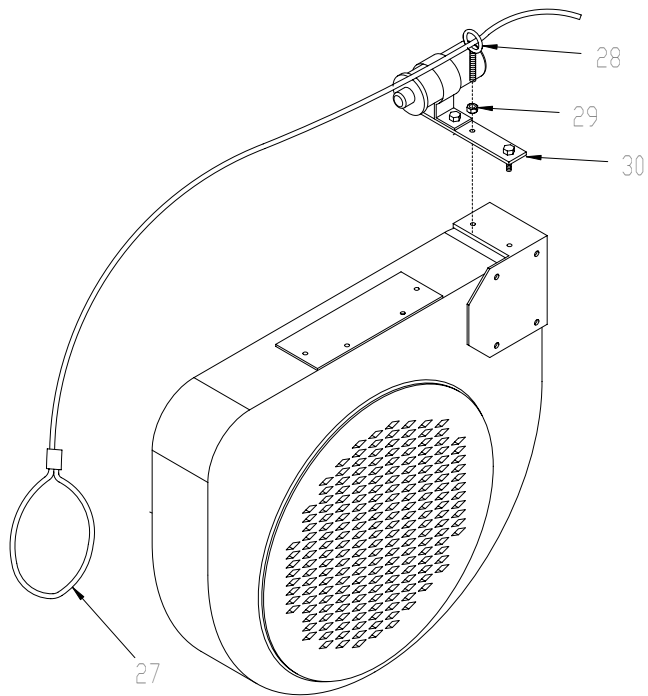
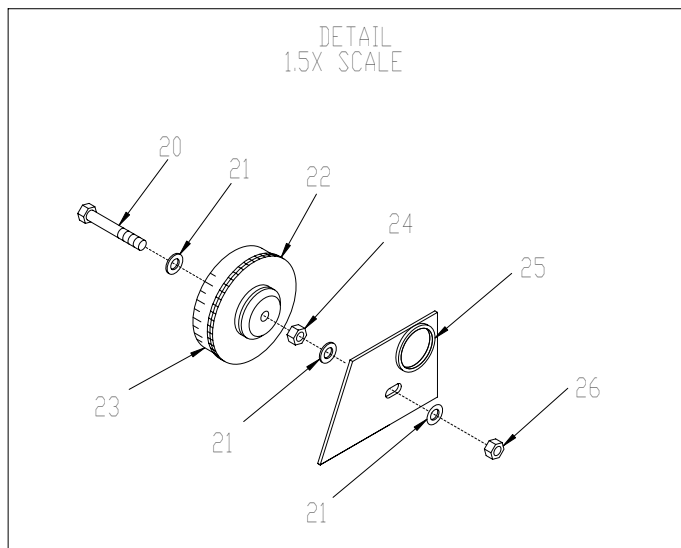
ILLUSTRATION 11: ENGINE MOUNT GROUPING



PARTS LISTING - ILLUSTRATION 11 : ENGINE MOUNT GROUPING			
ITEM #	PART #	DESCRIPTION	QTY.
1	57188	BRACKET, ENGINE MOUNT RIGHT	1
2	57110	MOUNT BAR, ENGINE	2
3	57189	BRACKET, ENGINE MOUNT LEFT	1
4	10326	SCREW, CAP 5/8-11x3	2
5	10073	WASHER, FLAT 5/8	4
6	10809	NUT, LOCK 5/8-11	2
7	10326	SCREW, CAP 5/8-11x3	4
8	10041	WASHER, LOCK 5/8	4
9	57053	BOLT, TAP 5/8-11x5 (FULL THREAD)	2
10	10046	NUT 5/8-11	2
11	10359	SCREW, CAP 5/8-11x3-1/4	4
12	10073	WASHER, FLAT 5/8	4
13	10041	WASHER, LOCK 5/8	4
14	10046	NUT 5/8-11	4
15	10359	SCREW, CAP 5/8-11x3-1/4	2
16	10073	WASHER, FLAT 5/8	4
17	10041	WASHER, LOCK 5/8	2
18	10046	NUT 5/8-11	2



ILLUSTRATION 12 : INSTRUMENT PANEL GROUPING



PARTS LISTING - ILLUSTRATION 12 : INSTRUMENT PANEL GROUPING			
ITEM#	PART#	DESCRIPTION	QTY.
1	57162	INSTRUMENT PANEL	1
2	10631	METER, 30 AMP	1
3	15122	GAUGE, OIL PRESSURE, WISC. RS-56	1
4	10637	METER, HOUR 2-1/16"	1
5	10619	SWITCH, TOGGLE SPDT (BLADE SAVER)	1
6	10633	SWITCH, TOGGLE SPST (WATER PUMP)	1
7	10632	SWITCH, IGNITION STARTER, LEVER-TYPE	1
8	15129	CABLE, CHOKE CONTROL 72"	1
9	50560	CABLE, VERNIER ADJ. LOCKING CONTROL	1
10		SCREW, CAP	
	10018	1/4-20x3/4	6
	10031	1/4-20x1	2
11	10038	WASHER, LOCK 1/4	8
12	10602	WASHER, FLAT 1/4	8
13	11591	ROPE CLEAT, NYLON JAM 3/16"-5/16"	1
14	11594	SCREW, MACHINE 10-32x5/8 SLT.FLT	2
15	10831	WASHER, LOCK, INT. TOOTH #10	2
16	10832	NUT 10-32	2
17	15147	SWITCH PUSHBUTTON ONLY, E-STOP	1
18	15148	SWITCH ASSY. CLIP ONLY, E-STOP	1
19	15167	SWITCH CONTACT BLOCK, N.C. E-STOP	1
20	10336	SCREW, CAP 3/8-24x2-1/4	1
21	10025	WASHER, FLAT 3/8	3
22	57132	WHEEL, DEPTH GAUGE	1
23	57142	STICKER, DEPTH GAUGE	1
24	10004	NUT, LOCK 3/8-24	1
25	57149	GROMMET 1-1/4 ID x 1/8 GRV. x 1-1/2 GD	1
26	10004	NUT, LOCK 3/8-24	1
27	57178	ROPE, GUIDE BAR	1
28	11593	BOLT, EYE SHOULDER 5/16-18x1-1/8	1
29	10054	NUT 5/16-18	1
30	57164	BRACKET, COIL, 65 HP WISCONSIN	1
31	65022	PLUG, HOLE 2"	1



LIMITED EQUIPMENT WARRANTY

Equipment Development Company, Inc. herein referred to as EDCO warrants that each new unit manufactured by EDCO to be free from defects in material and workmanship in normal use and service for a period of (1) one year (except in the case of the cutter drum assembly on all model concrete asphalt planes, in which case the warranty period shall be 90 days) from date of shipment to the original buyer or equipment rental center owner.

EDCO will, at its option, repair or replace, at the EDCO factory or at a point designated by EDCO any part, which shall appear to the satisfaction of EDCO inspection to have been defective in material or workmanship.

This warranty, does not apply to failure occurring as a result of abuse, misuse, negligent repairs, corrosion, erosion, normal wear and tear, alterations or modifications made to the product without express written consent of EDCO: or failure to follow the recommended operating practices and maintenance procedures as provided in the products operating and maintenance manuals.

This warranty does not obligate EDCO to bear any transportation charges in connection with the replacement or repair of defective parts. This warranty does not obligate EDCO to bear any expense for travel time or of personnel in connection with any service calls.

Accessories or equipment furnished and installed on the product by EDCO but manufactured by others, including but not limited to engines, motors, electrical equipment, transmissions, etc., shall carry the accessory manufacturers' own warranty.

THIS WARRANTY IS IN LIEU OF ALL OTHER WARRANTIES, EXPRESSED OR IMPLIED, OR STATUTORY, INCLUDING ANY WARRANTIES OF MERCHANTABILITY OR OF FITNESS FOR A PARTICULAR PURPOSE.

LIABILITY LIMITATIONS

The remedies of the user set forth under provisions of warranty outlined above are the exclusive and total liability of EDCO with the respect to their sale or the equipment and service furnished hereunder, in connection with the performance or breach thereof, or from the sale, delivery, installation, repair or technical direction covered by or furnished under the sale, whether based on contract, warranty, negligence, indemnity, strict liability, or otherwise shall not exceed the purchase price of the unit of equipment upon which such liability is based.

EDCO will not in any event be liable to the user, any successors in interest or any beneficiary or assignee relating to this sale for any consequential, incidental, indirect, special or punitive damages arising out of this sale or any breach thereof, or any defects on, or failure of, or malfunction of the equipment under this sale based upon loss of use, lost profits or revenue, interest, lost goodwill, work stoppage, impairment of other goods, loss by reason of shutdown or non-operation, increased expenses of operation of the equipment, cost of purchase or replacement power of claims of users or customers of the user for service interruption whether or not such loss or damage is based on contract, warranty, negligence, indemnity, strict liability, or otherwise.

EDCO reserves the right to modify, alter and improve any part or parts without incurring any obligation to replace any part or parts previously sold without such modified, altered or improved part or parts.

No person is authorized to give any other warranty or to assume any additional obligation on EDCO's behalf unless made in writing and signed by an officer of EDCO.

Equipment Development Company, Inc.

USE ONLY GENUINE EDCO PARTS AND ACCESSORIES

For your own safety, the safety of others and the life of your machine

