

REVISED STARTING
SERIAL # 260610001



PARTS LIST MANUAL MODEL BB-14G



14" GASOLINE POWERED MASONRY SAWS

SKU #	MODEL #	POWER OPTION
26300	BB-14G	HONDA GX160 W/ CYCLONE AIR CLEANER
26500	BB-14G	HONDA GX270 W/ CYCLONE AIR CLEANER

**READ AND UNDERSTAND THE OPERATOR'S SAFETY MANUAL THOROUGHLY
BEFORE ATTEMPTING TO OPERATE THIS EQUIPMENT.**

Death or serious injury could occur if this machine is used improperly.

Machine specific Operator's Instruction Manuals are offered at edcoinc.com/customer-support

READ AND UNDERSTAND THE ENGINE MANUFACTURERS INSTRUCTIONS AND OPERATORS MANUAL BEFORE OPERATION.



EQUIPMENT DEVELOPMENT COMPANY, INC.

100 Thomas Johnson Drive, Frederick, MD 21702-4600 USA
Phone: 800-638-3326 or 301-663-1600 • Fax: 800-447-3326 or 301-663-1607
Website: www.edcoinc.com • E-mail: techsupport@edcoinc.com

Printed in USA
JWA ©2026



SAFETY INFORMATION



SAFETY MESSAGES

• Safety Instructions are preceded by a graphic alert symbol of DANGER, WARNING, or CAUTION.

DANGER

Indicates an imminent hazard which, if not avoided, will result in death or serious injury.

WARNING

Indicates an imminent hazard which, if not avoided, can result in death or serious injury.

CAUTION

Indicates hazards which, if not avoided, could result in serious injury and or damage to the equipment.

GASOLINE / PROPANE POWERED EQUIPMENT

WARNING

• Engine exhaust from this product contains chemicals known to the State of California to cause cancer, birth defects or other reproductive harm.

WARNING

• Tilting a gasoline powered machine fitted with an EPA approved vented charcoal filter gas cap, beyond 20° can cause fuel leakage. If a leak occurs, do not start or run the engine until the leak is fixed. Eliminate all other ignition sources in the immediate area (no smoking, flares, sparks or flames). Use approved gasoline absorbing material to contain the fuel leakage. Then use clean, non-sparking tools to collect absorbed materials then dispose of these contaminants properly.



• Gasoline is extremely flammable and poisonous. It should only be dispensed in well ventilated areas, and with a cool engine.

• Small gasoline engines produce high concentrations of carbon monoxide (CO) example: a 5 HP 4 cycle engine operation in an enclosed 100,000 cu. ft. area with only one change of air per hour is capable of providing deadly concentrations of CO in less than fifteen minutes. Five changes of air in the same area will produce noxious fumes in less than 30 minutes. Gasoline powered equipment should not be used in enclosed or partially enclosed areas. Symptoms of CO poisoning include, head-ache, nausea, weakness, dizziness, visual problems and loss of consciousness. If symptoms occur - get into fresh air and seek medical attention immediately.

• Never refuel a hot engine or an engine while it is running.

• Engines are shipped from factory without fuel/oil.



• Propane is extremely flammable and is heavier than air and tends to settle in low areas where a spark or flame could ignite gas. DO NOT start or operate this propane engine in a poorly ventilated area where leaking propane gas could accumulate and endanger safety of persons in area. If headache develops, shut off machine. Have it checked for carbon monoxide emissions by a qualified technician before using it again. To ensure personal safety, installation and repair of propane fuel supply systems must be performed only by qualified technicians. Carbon monoxide emissions from this machine are greatly increased due to a dirty combustion air cleaner.

ELECTRICAL POWERED EQUIPMENT



Extreme care must be taken when operating electric models with water present: Ensure power cord is properly grounded, is attached to a Ground-Fault-Interrupter (GFI) outlet, and is undamaged.

- Check all electrical cables - be sure connections are tight and cable is continuous and in good condition. Be sure cable is correctly rated for both the operating current and voltage of this equipment.
- Improper connection of the equipment grounding conductor can result in a risk of electric shock. Check with qualified electrician or service person if there is any doubt as to whether the outlet is properly grounded. Adhere to all local codes and ordinances.
- NOTE: In the event of a malfunction or breakdown, grounding provides a path of least resistance for the electric current to dissipate. The motor is equipped with a grounded plug and must be connected to an outlet that is properly installed and properly grounded. DO NOT modify the plug provided on the motor. If the plug does not fit the outlet have a qualified electrician install the proper receptacle.

ELECTRICAL POWERED EQUIPMENT CONTINUED

- Do not disconnect power by pulling cord. To disconnect, grasp the plug, not the cord.
- Unplug power cord at the machine when not in use and before servicing.
- Switch motor OFF before disconnecting power.
- Never use frayed, damaged, taped or under rated extension cords. Electrical shock could result in death or serious injury to the operator and damage to the equipment.
- Assure you are using the proper extension cord length.

GENERAL INSTRUCTIONS

- Equipment should only be operated by trained personnel in good physical condition and mental health (not fatigued). The operator and maintenance personnel must be physically able to handle the bulk weight and power of this equipment.
- This is a one person tool. Maintain a safe operating distance to other personnel. It is the operators' responsibility to keep other people (workers, pedestrians, bystanders, etc.) away during operation. Block off the work area in all directions with roping, safety netting, etc. Failure to do so may result in others being injured by flying debris or exposing them to harmful dust and noise.
- This equipment is intended for commercial use only.
- For the operator's safety and the safety of others, always keep all guards in place during operation.
- Never let equipment run unattended.



- Personal Protection Equipment and proper safety attire must be worn when operating this machinery. The operator must wear approved safety equipment appropriate for the job such as hard hat and safety shoes when conditions require. Hearing protection **MUST** be used when operational noise levels of this equipment may exceed 85db. Eye protection **MUST** be worn at all times.



Keep body parts, loose clothing and accessories away from moving parts. Failure to do so could result in dismemberment or death.

- Do not modify the machine.
- Stop motor/engine when adjusting or servicing this equipment. Maintain a safe operating distance from flammable materials. Sparks from the cutting-action of this machine can ignite flammable materials or vapors.



DUST WARNING

WARNING

Some dust created by power sanding, sawing, grinding, drilling, and other construction activities contains chemicals known to cause cancer, birth defects, or other reproductive harm. Materials being removed can be toxic or hazardous. A breathing respirator is required to help protect the operator. Some examples of these chemicals are:

- Lead from lead-based paints.
- Crystalline silica from bricks, concrete and other masonry products. Your risk of exposure to these chemicals varies depending on how often you do this type of work. To reduce your risk: work in a well ventilated area, use a dust control system, such as an industrial-style vacuum, and wear approved personal safety equipment, such as a dust/particle respirator designed to filter out microscopic particles.
- See more on the importance of dust prevention and silica warnings at: osha.gov/silica
- More concrete and silica dust suppression training and educational materials available at edcoinc.com/silica-standards or scan the QR code on page 5.
- Written exposure plans are provided at <http://www.edcoinc.com/written-exposure-control-plans/>



PARTS LIST MANUAL

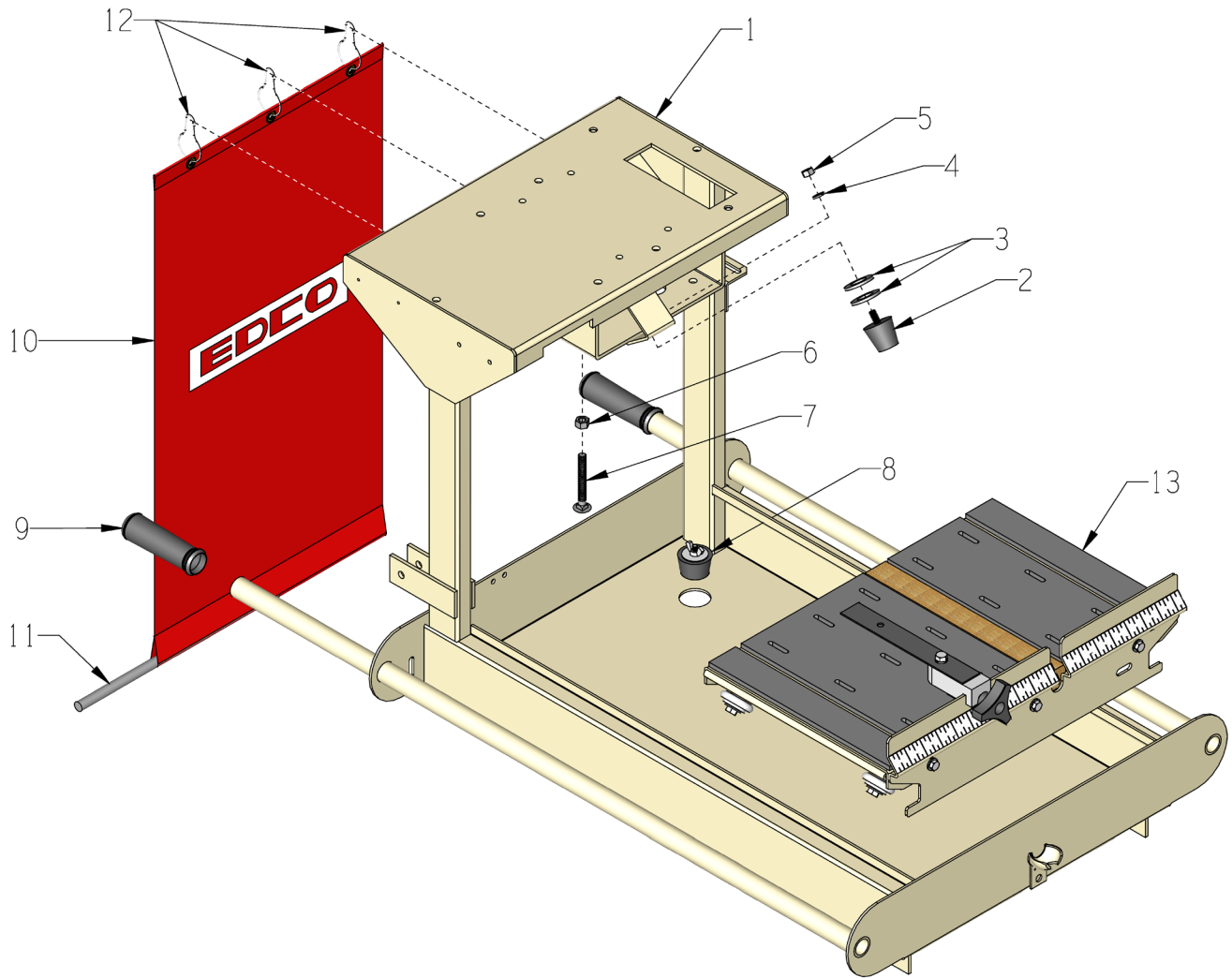
MODEL BB-14G

14" GASOLINE POWERED MASONRY SAWS

TABLE OF CONTENTS

<u>Section</u>	<u>Page Number</u>
Safety Information	2
Illustration 1: Pan & Rolling Table Grouping	4
Illustration 2: Rolling Table Assembly	5
Illustration 3: Arbor, Deck & Jackshaft Grouping	6
Illustration 4: Arbor Assembly & Blade	7
Illustration 5: Arbor Height Locking Bar Grouping	8
Illustration 6: Gas Spring Grouping	9
Illustration 7: Belt Drive Grouping	10, 11
Illustration 8: Engine Grouping for Honda GX160 & GX200	12, 13
Illustration 9: Engine Grouping for Honda GX270	14, 15
Illustration 10: Blade Guard Grouping	16, 17
Illustration 11: Water Pump & Filter Grouping	18, 19
Illustration 12: Water Pump Assembly	20
Illustration 14: Optional "Tote-A-Saw" Transport Wheels	21
Illustration 13: Optional Stand & Foot Pedal Assembly	22, 23
Decal Sheet	24
Limited Equipment Warranty of Sale	25
EDCO's Online Customer Support	26

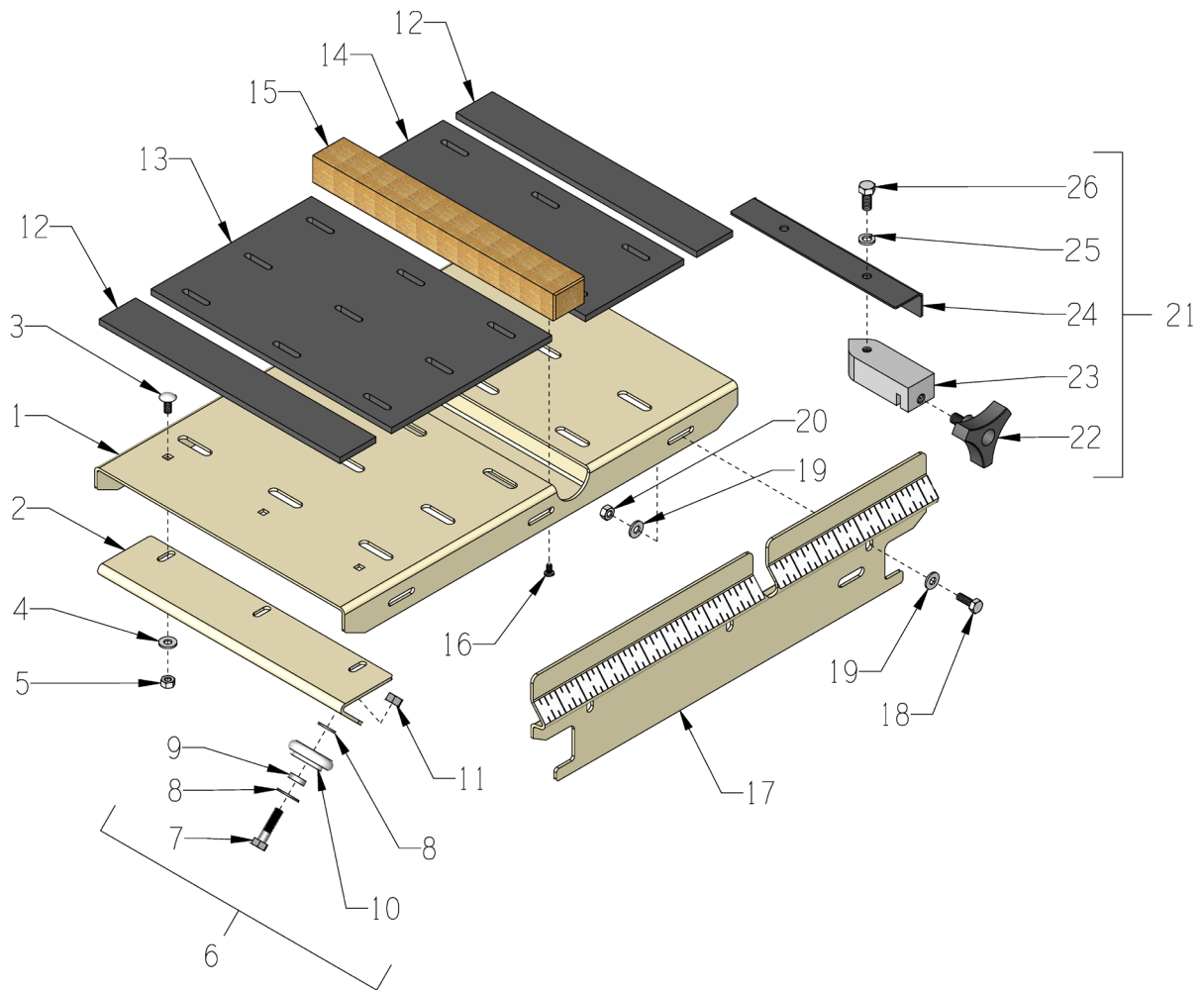
ILLUSTRATION 1: PAN & ROLLING TABLE GROUPING



ITEM #	PART #	DESCRIPTION	QTY.
1	40680	PAN/ENGINE DECK WELDMENT, BB14G	1
2	10931	MOUNT, TAPERED RUBBER 5/16-18	1
3	10009	WASHER, FLAT 3/4 SAE ZINC	2
4	10801	WASHER, LOCK 5/16 ZINC	1
5	10054	NUT, HEX 5/16-18 ZINC	1
6	10404	NUT, HEX 3/8-16 ZINC	1
7	10909	BOLT, CARRIAGE 3/8-16 X 3 ZINC	1
8	40378	STOPPER ASSEMBLY 1-1/2"	1
9	10608	GRIP, HAND 1" MODEL AT	2
10	40375	CURTAIN 15" X 28" W/ LOGO	1
11	40377	CURTAIN ROD 1/2"DIA. X 13"L	1
12	40376	HOOK, CURTAIN	3
13	40675A	ROLLING TABLE COMPLETE (SEE ILLUS. 2 FOR BREAKDOWN)	1

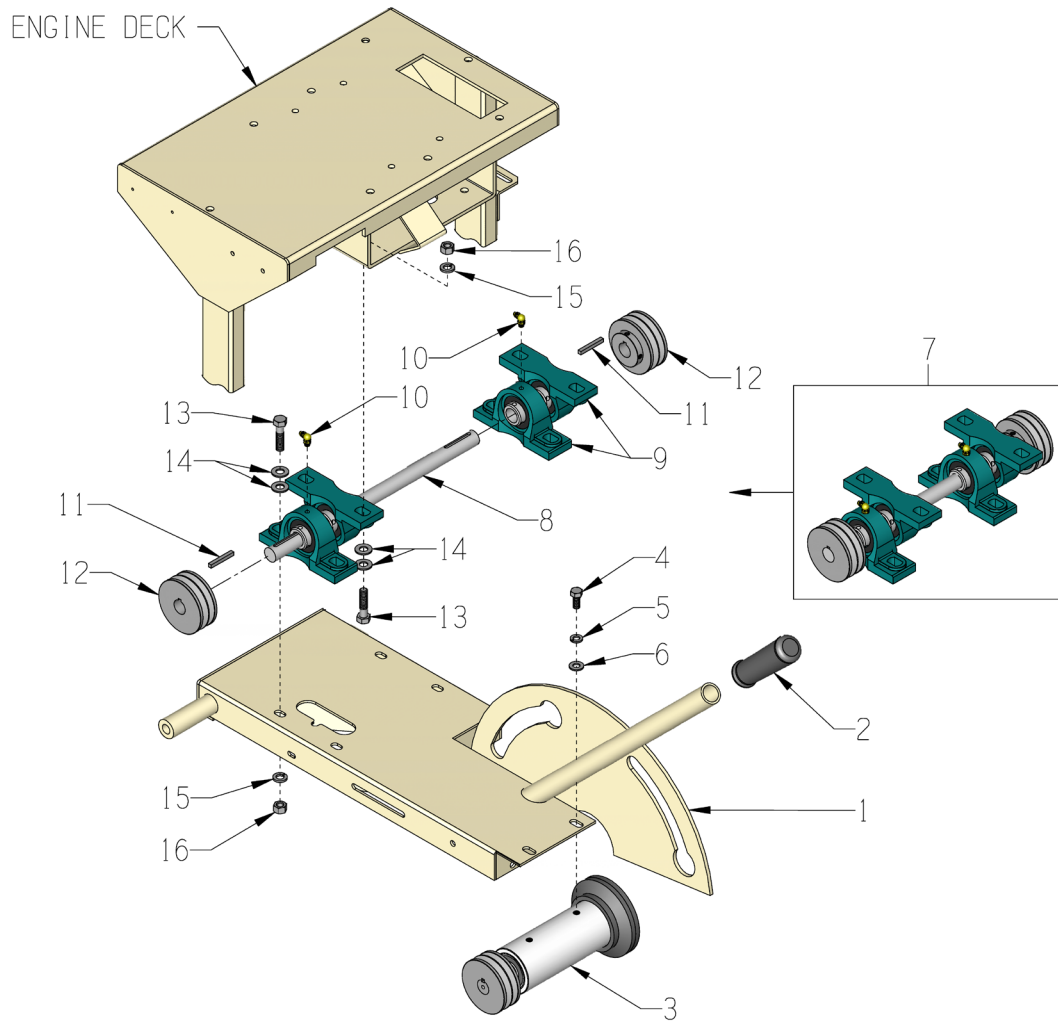
ILLUSTRATION 2: ROLLING TABLE ASSEMBLY

PART # 40675A



ITEM #	PART #	DESCRIPTION	QTY.	ITEM #	PART #	DESCRIPTION	QTY.
1	40675	TABLE ONLY, BB14	1	14	40677	RUBBER PAD 11-5/8 X 4-3/4	1
2	40674	BRACKET, R.T. TRACK WHEEL	1	15	40678	WOODEN CUT BLOCK	1
3	10872	BOLT, CARRIAGE 1/4-20 X 3/4	3	16	10858	SCREW, SHEET METAL #10 X 1/2	2
4	10602	WASHER, FLAT 1/4 SAE ZINC	3	17	40603	TABLE FRONT PANEL, ROLL	1
5	10861	NUT, KEPS LOCK 1/4-20 ZINC	3	18	10018	SCREW, CAP 1/4-20 X 3/4	3
6	40605K 40605WK	WHEEL KIT, ONE (ITEMS 7 THRU 11) WHEEL KIT, COMPLETE SET OF 4	4 1	19	10602	WASHER, FLAT 1/4 SAE ZINC	6
7	10606	SCREW, CAP 5/16-18 X 1-1/4	4	20	10861	NUT, KEPS LOCK 1/4-20 ZINC	3
8	10213	WASHER, FLAT 5/16 SAE ZINC	8	21	40689A	GUIDE ASSY., CUT, UNIVERSAL (INCLUDES ITEMS 22 THRU 26)	1
9	40668	SPACER SS 5/8OD X .328ID X .180	4	22	40425	KNOB, 3-PRONG W/ 3/8-16 X 5/8 STUD	1
10	40605A	WHEEL W/ BRG., ROLL TABLE	4	23	42015	BLOCK, CUT GUIDE	1
11	10151	NUT, HEX NYLON LOCK 5/16-18	4	24	40689	BRACKET, CUT GUIDE	1
12	40679	RUBBER PAD 11-5/8 X 1-3/4	2	25	10801	WASHER, LOCK 5/16 ZINC	1
13	40676	RUBBER PAD 11-5/8 X 7-3/4	1	26	10053	SCREW, CAP 5/16-18 X 3/4	1

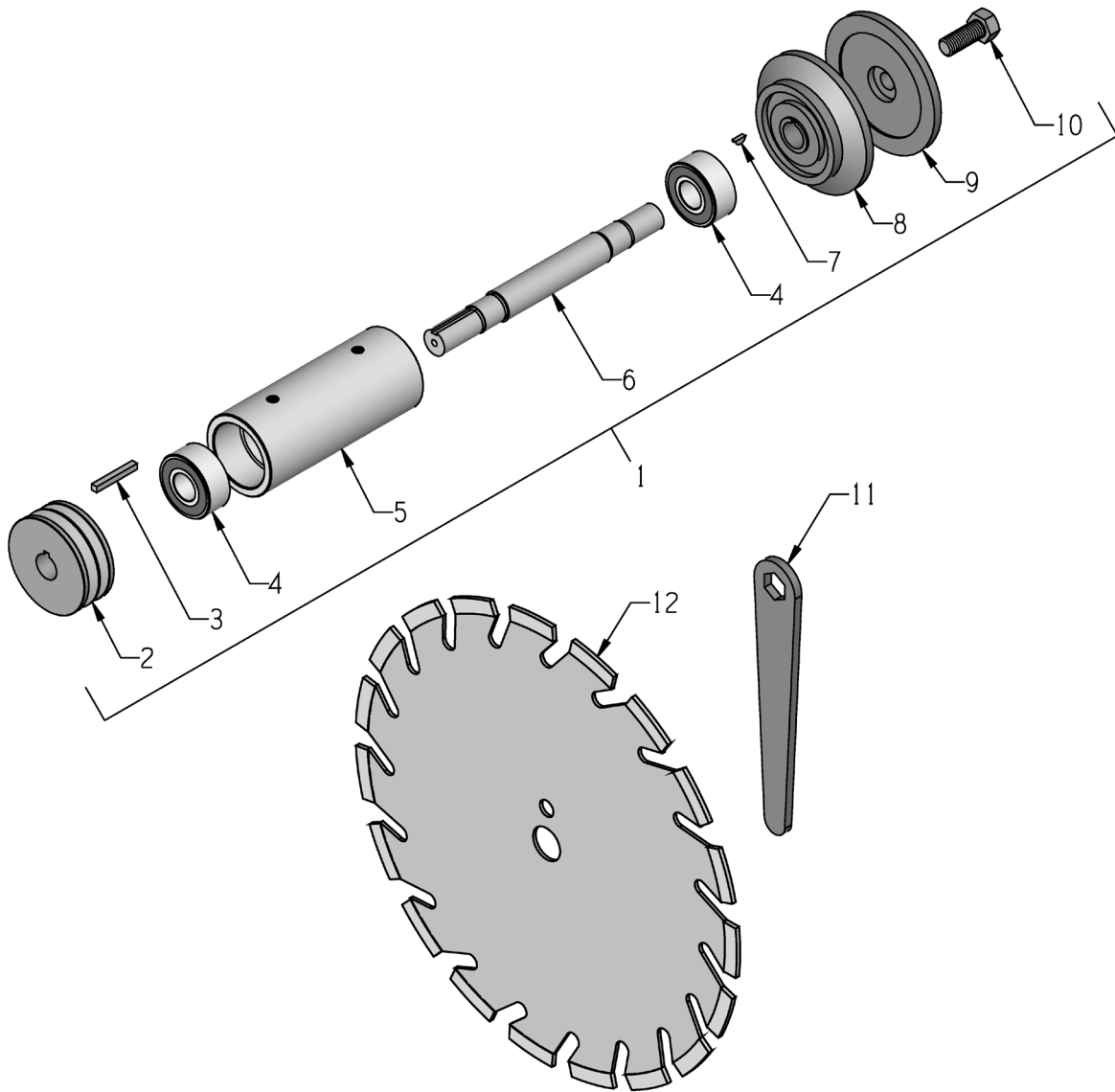
ILLUSTRATION 3: ARBOR, DECK & JACKSHAFT GROUPING



ITEM #	PART #	DESCRIPTION	QTY.
1	40606-1	DECK, ARBOR, BB14G	1
2	10608	GRIP, HAND 1" MODEL AT	1
3	40670A	ARBOR ASSY. W/ 2.75" 2GR.3V SHEAVE (REFER TO ILLUS. 4 FOR BREAKDOWN)	1
4	10048	SCREW, CAP 5/16-24 X 3/4	4
5	10801	WASHER, LOCK 5/16 ZINC	4
6	10213	WASHER, FLAT 5/16 SAE ZINC	2
7	40618A	JACKSHAFT SUBASSEMBLY, BB14G (ITEMS 8 THRU 12)	1
8	40618	SHAFT, JACK 3/4 X 13-1/2"L, BB14G	1
9	40629	BEARING, BALL 3/4"B, BB14G	4
10	10961	FITTING, GREASE 1/4-28 X 90°	4
11	10016	KEY 3/16SQ X 1-1/2	2
12	40694	SHEAVE 2.75"OD X 2GR.3V X 3/4"BORE	2
13	10816	SCREW, CAP 3/8-24 X 1-1/2	8
14	10025	WASHER, FLAT 3/8 SAE ZINC	16
15	10811	WASHER, LOCK 3/8 ZINC	8
16	10014	NUT, HEX 3/8-24 ZINC	8

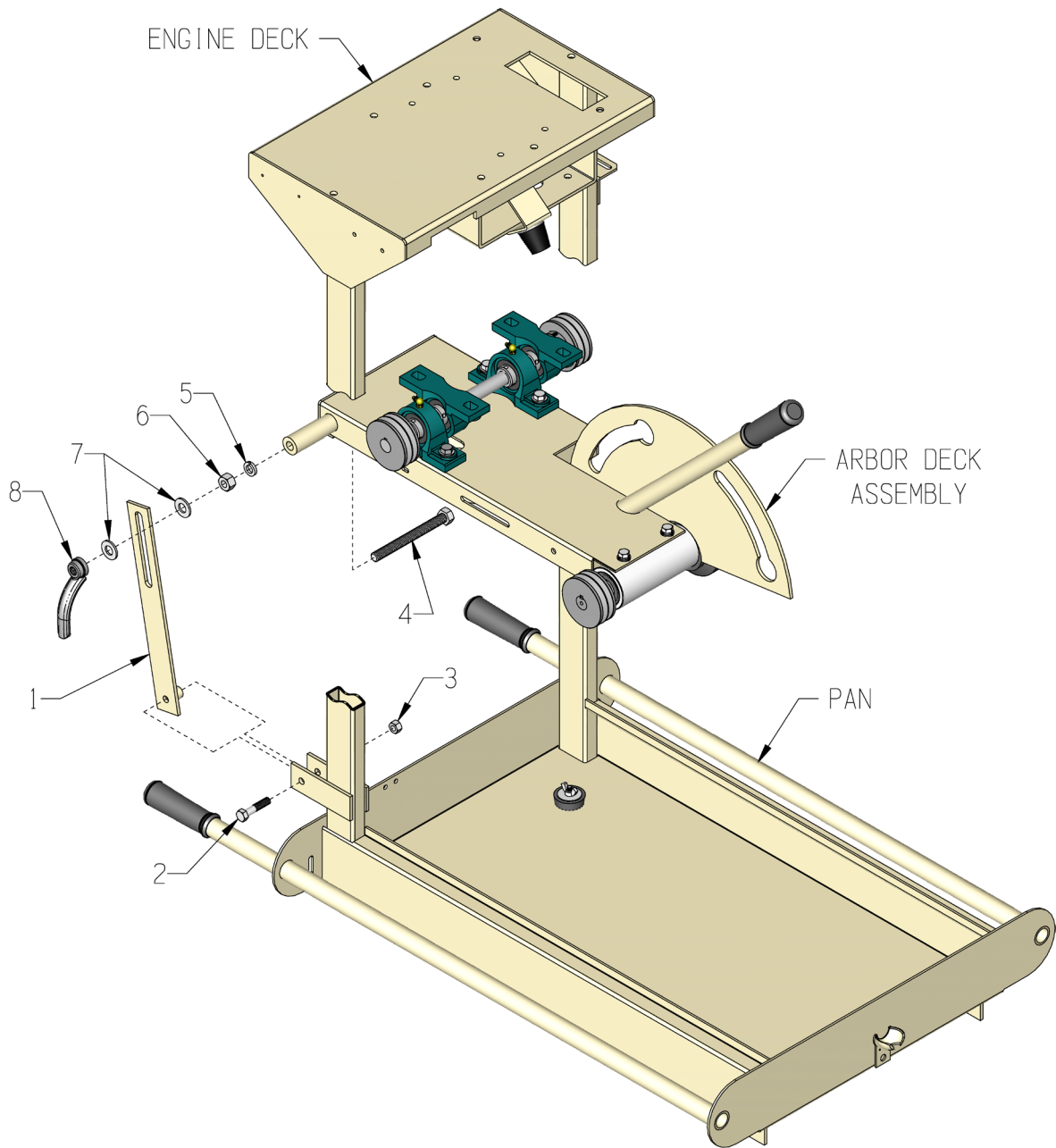
ILLUSTRATION 4: ARBOR ASSEMBLY & BLADE

E-BB14G-PL-0626



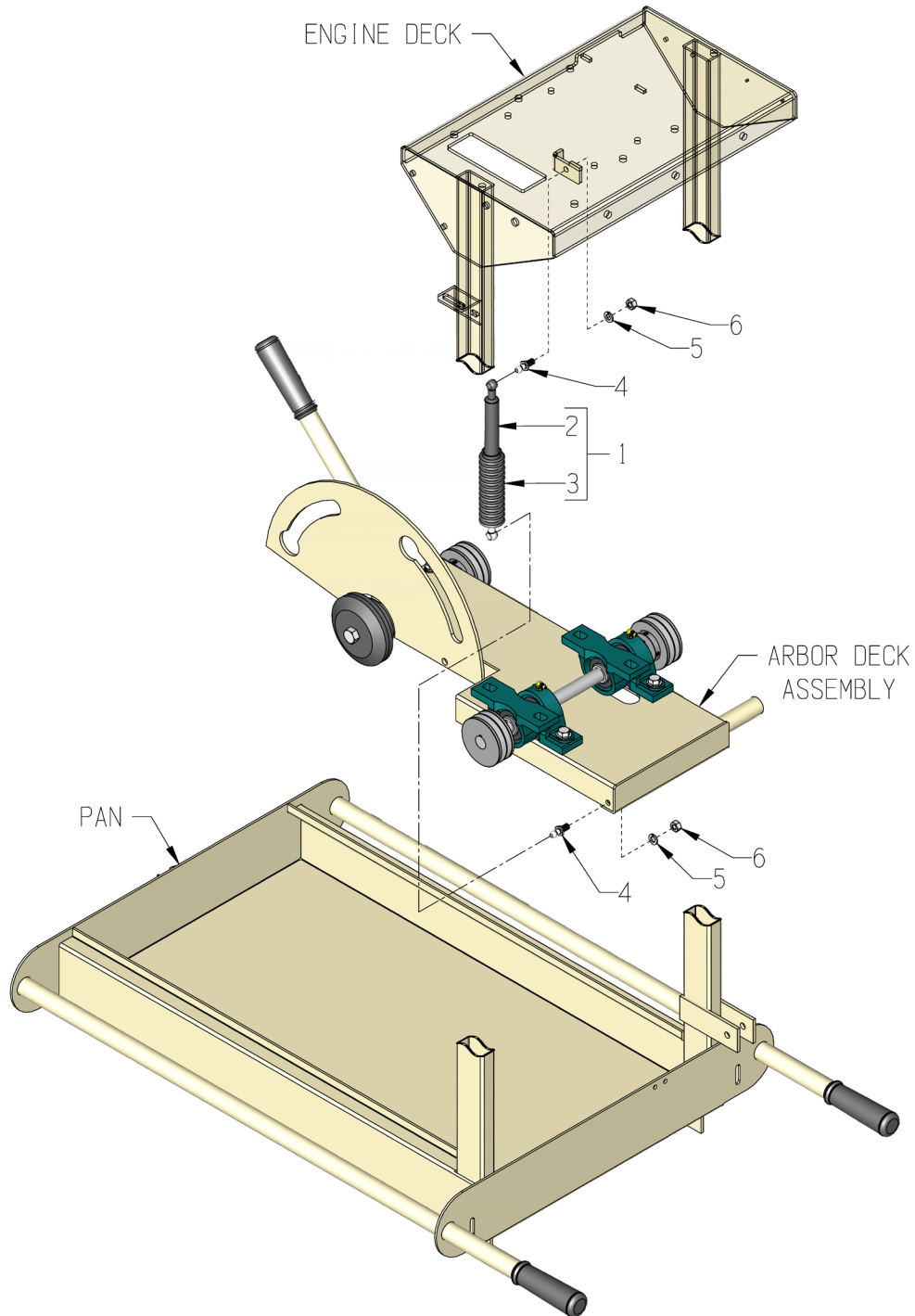
ITEM #	PART #	DESCRIPTION	QTY.
1	40670A	ARBOR ASSY. W/ 2GR-3V SHEAVE (INCLUDES ITEMS 2 THRU 10)	1
2	40694	SHEAVE 2.75"OD X 2GR.3V X 3/4"BORE	1
3	10016	KEY 3/16 SQ X 1-1/2	1
4	40018	BEARING, RADIAL BALL 20X47X20.6MM	2
5	40607	ARBOR HOUSING	1
6	40608	ARBOR SHAFT	1
7	40036	KEY, WOODRUFF 1/8 X 3/8 (#403)	1
8	40022	ARBOR BACKING PLATE 4"	1
9	40023	ARBOR BLADE CAP 4"	1
10	10321	SCREW, CAP 1/2-20 X 1-1/4	1
11	53021	WRENCH, ARBOR, 3/4" BOX END	1
12	HH1412V1	DIAM.BLADE 14" X .125 X 1"-20MM	1

**ILLUSTRATION 5:
ARBOR HEIGHT LOCKING BAR GROUPING**



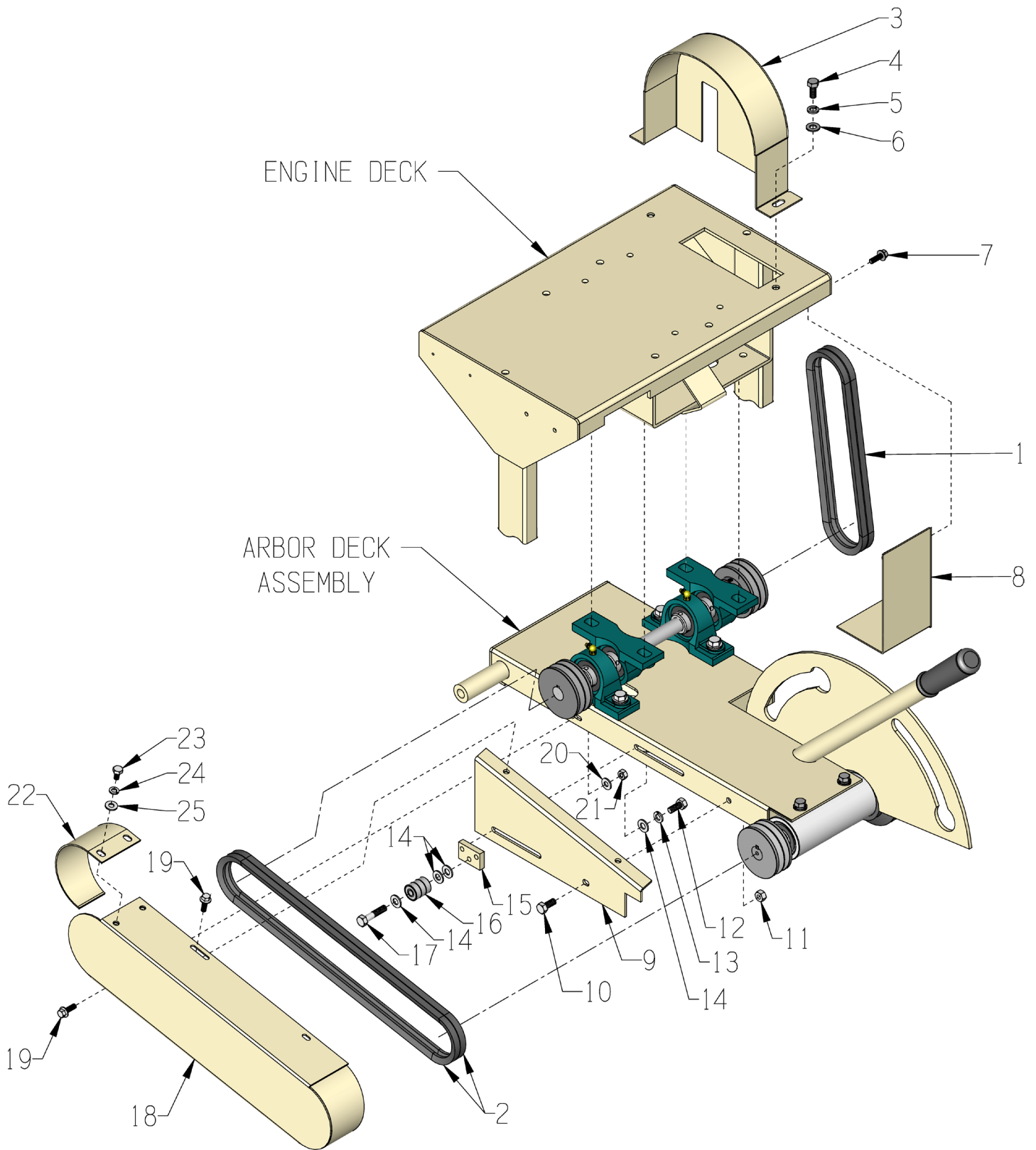
ITEM #	PART #	DESCRIPTION	QTY.
1	40609	LOCKING BAR, ARBOR HEIGHT	1
2	10029	SCREW, CAP 3/8-24 X 1-3/4	1
3	10004	NUT, HEX LOCK 3/8-24 ZINC	1
4	10373	BOLT, TAP 1/2-13 X 5 (FULL THREAD)	1
5	10045	WASHER, LOCK 1/2 ZINC	1
6	10417	NUT, HEX 1/2-13 ZINC	1
7	10312	WASHER, FLAT 1/2 SAE ZINC	2
8	40358	NUT, TAIL HANDLE 1/2-13	1

ILLUSTRATION 6: GAS SPRING GROUPING



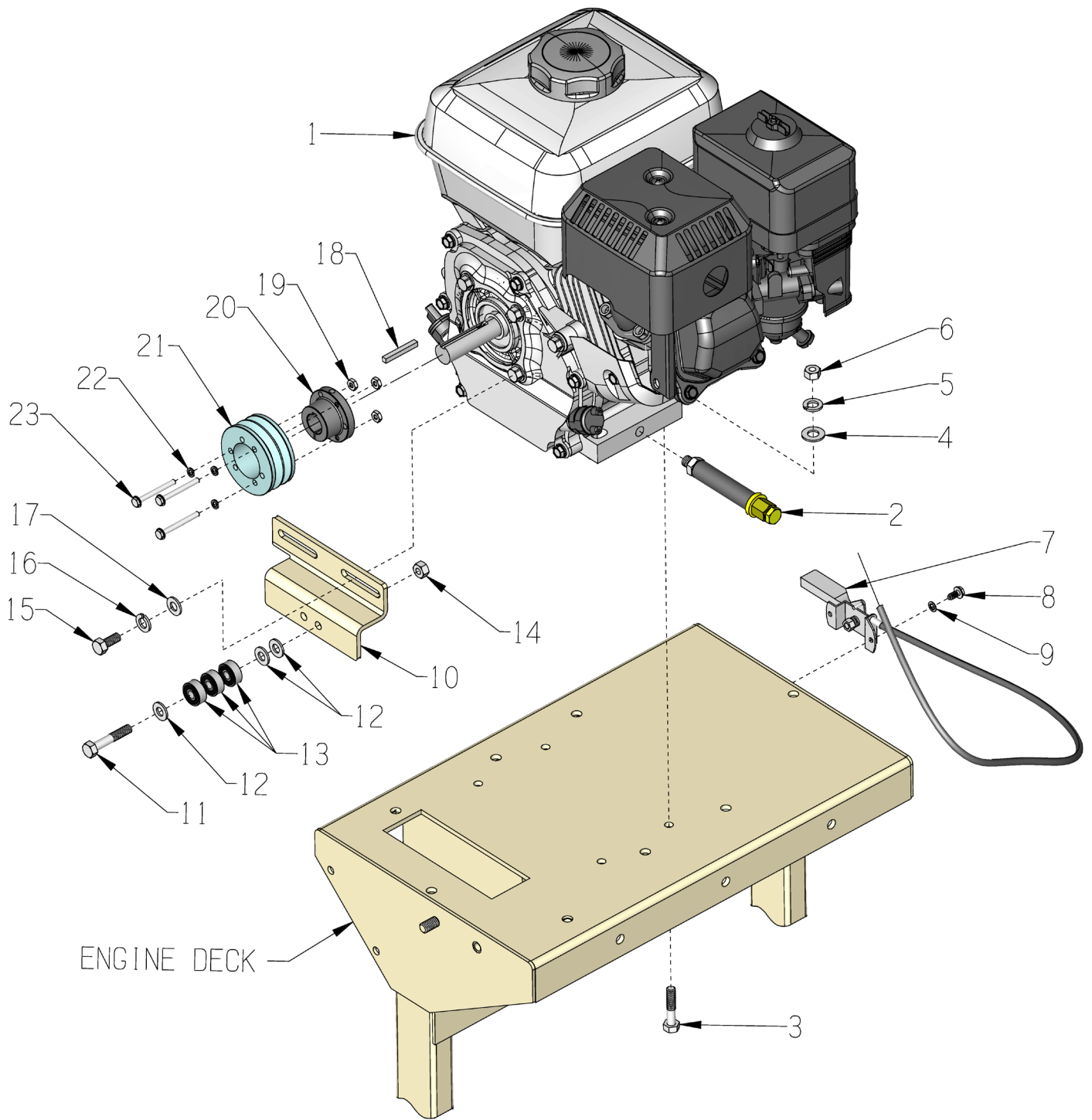
ITEM #	PART #	DESCRIPTION	QTY.
1	43010	SPRING ASSEMBLY, GAS (ITEMS 2 & 3)	1
2	43007	SPRING, GAS	1
3	43008	BELLOWS, GAS SPRING (DUST BOOT)	1
	10982	TIE, CABLE, BLACK NYLON 11-1/4" (NOT SHOWN)	2
4	43011	STUD, 10MM BALL, 5/16-18 X .662	2
5	10801	WASHER, LOCK 5/16 ZINC	2
6	10054	NUT, HEX 5/16-18 ZINC	2

ILLUSTRATION 7: BELT DRIVE GROUPING



PARTS LISTING			
ILLUSTRATION 7: BELT DRIVE GROUPING			
ITEM #	PART #	DESCRIPTION	QTY.
1	40697-2	BELT 2/3VX265 BANDED (HONDA GX160)	1
	10292	BELT 3VX-290 (HONDA GX270)	2
2	10258	BELT 3VX-375	2
3	40681	ENGINE BELT COVER (HONDA GX160)	1
	101145	ENGINE BELT COVER (HONDA GX270)	1
4	10053	SCREW, CAP 5/16-18 X 3/4	2
5	10801	WASHER, LOCK 5/16 ZINC	2
6	10213	WASHER, FLAT 5/16 SAE ZINC	2
7	11811	BOLT, FLANGE 1/4-20 X 3/4 ZINC	2
8	40682	COVER, JACKSHAFT SHEAVE, BB14G	1
9	40613	MOUNTING BRKT., BELT COVER, BB14G	1
10	10053	SCREW, CAP 5/16-18 X 3/4	2
11	10807	NUT, HEX LOCK 5/16-18 ZINC	2
12	10053	SCREW, CAP 5/16-18 X 3/4	2
13	10801	WASHER, LOCK 5/16 ZINC	2
14	10213	WASHER, FLAT 5/16 SAE ZINC	4
15	40661	TENSIONER BAR, ARBOR BELT, BB14G	1
16	40391	BEARING, RADIAL BALL 5/16X7/8X11/32	3
17	10342	SCREW, CAP 5/16-18 X 1-1/2	1
18	40611	COVER, ARBOR BELT, BB14G	1
19	11811	BOLT, FLANGE 1/4-20 X 3/4 ZINC	3
20	10602	WASHER, FLAT 1/4 SAE ZINC	1
21	10861	NUT, KEPS LOCK 1/4-20 ZINC	1
22	40612	COVER END CAP, ARBOR BELT, BB14G	1
23	10834	SCREW, CAP 1/4-20 X 1/2 ZINC	2
24	10038	WASHER, LOCK 1/4 ZINC	2
25	10602	WASHER, FLAT 1/4 SAE ZINC	2

**ILLUSTRATION 8:
ENGINE GROUPING FOR HONDA GX160 & GX200**

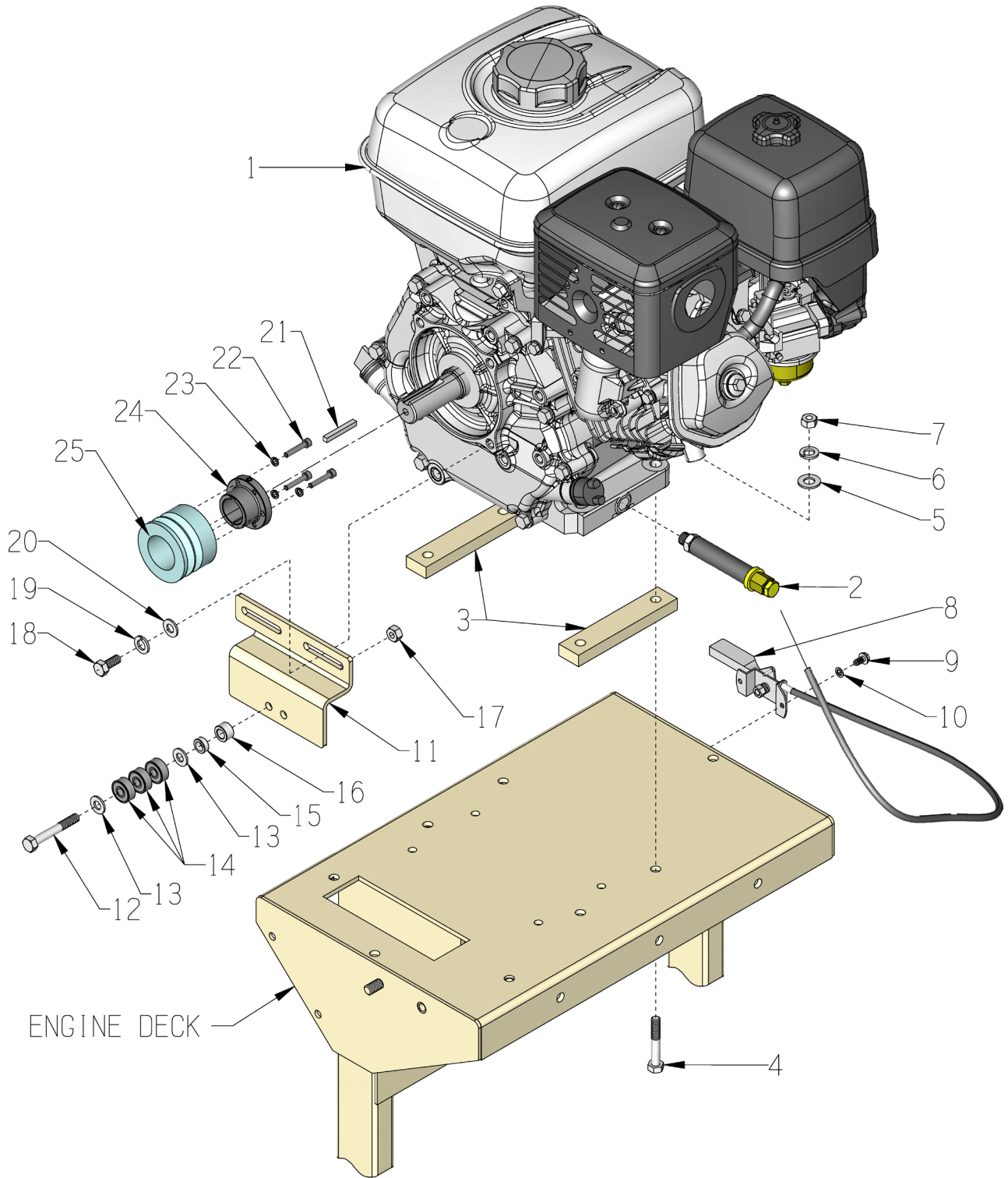


PARTS LISTING

ILLUSTRATION 8: ENGINE GROUPING FOR HONDA GX160

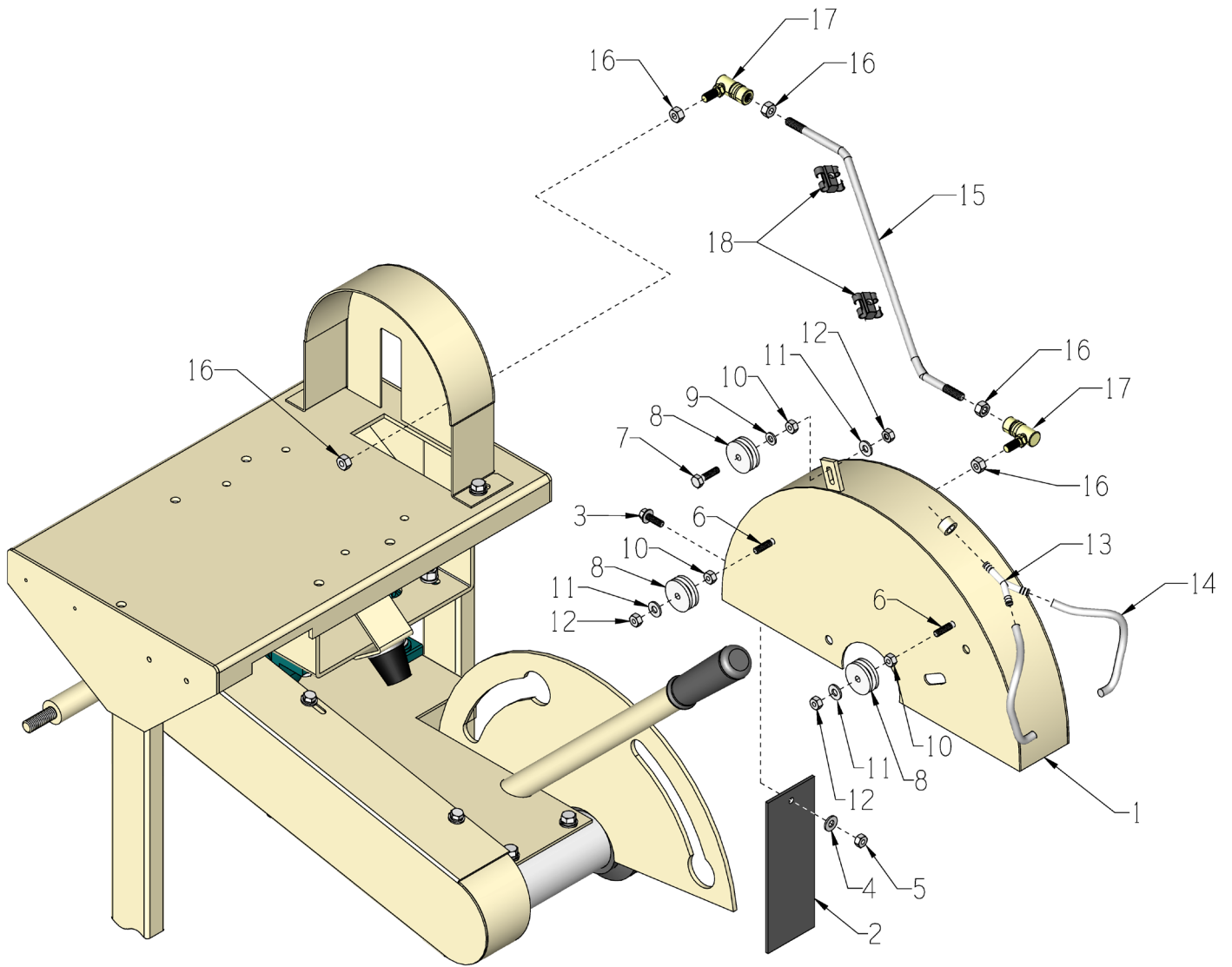
ITEM #	PART #	DESCRIPTION	QTY.
1	40387	ENGINE, HONDA GX160U1-QXC9 CYC.A.C.	1
2	40327	OIL DRAIN KIT, 4 THRU 6.5 HP HONDA	1
3	10342	SCREW, CAP 5/16-18 X 1-1/2	4
4	10213	WASHER, FLAT 5/16 SAE ZINC	4
5	10801	WASHER, LOCK 5/16 ZINC	4
6	10054	NUT, HEX 5/16-18 ZINC	4
7	40388	CABLE, THROTTLE, LEVER-TYPE 24"	1
8	10877	SCREW, CAP STSHW 10-24 X 1/2	2
9	10831	WASHER, LOCK, INT. TOOTH #10	2
10	40658	TENSIONER BRKT., BELT, BB14G	1
11	10204	SCREW, CAP 5/16-18 X 1-3/4	1
12	10213	WASHER, FLAT 5/16 SAE ZINC	3
13	40391	BEARING, RADIAL BALL 5/16X7/8X11/32	3
14	10807	NUT, HEX LOCK 5/16-18 ZINC	1
15	10048	SCREW, CAP 5/16-24 X 3/4	2
16	10801	WASHER, LOCK 5/16 ZINC	2
17	10213	WASHER, FLAT 5/16 SAE ZINC	2
18	10016	KEY 3/16SQ X 1-1/2 (INCLUDED W/ ENGINE)	1
19	11740	NUT, KEPS LOCK 10-24 ZINC	3
20	40644	BUSHING, SHEAVE JA X 3/4"BORE	1
21	40695	SHEAVE 2.65"OD X 2GR.3V X JA	1
22	10831	WASHER, LOCK, INT. TOOTH #10	3
23	40696	SCREW, MACHINE 10-24 X 1.75 HWHSLMS	3

**ILLUSTRATION 9:
ENGINE GROUPING FOR HONDA GX270**



PARTS LISTING			
ILLUSTRATION 9: ENGINE GROUPING FOR HONDA GX270			
ITEM #	PART #	DESCRIPTION	QTY.
1	15027	ENGINE, HONDA GX270UT2QC9	1
2	40328	OIL DRAIN KIT, 9/11/13 HP HONDA	1
3	101143	ENGINE SPACER BAR, BB14G-9H	2
4	10010	SCREW, CAP 5/16-18 X 2-1/2	4
5	10213	WASHER, FLAT 5/16 SAE ZINC	4
6	10801	WASHER, LOCK 5/16 ZINC	4
7	10054	NUT, HEX 5/16-18 ZINC	4
8	40388	CABLE, THROTTLE, LEVER-TYPE 24"	1
9	10877	SCREW, CAP STSHW 10-24 X 1/2	2
10	10831	WASHER, LOCK, INT. TOOTH #10	2
11	101144	BELT TENSIONER, BB14G-9H	1
12	10341	SCREW, CAP 5/16-18 X 2-1/4	1
13	10213	WASHER, FLAT 5/16 SAE ZINC	2
14	40391	BEARING, RADIAL BALL 5/16X7/8X11/32	3
15	10113	SPACER, STEEL 9/16OD X 3/8ID X 7/32	1
16	10011	SPACER, STEEL 5/8OD X 3/8ID X 3/8T	1
17	10807	NUT, HEX LOCK 5/16-18 ZINC	1
18	10048	SCREW, CAP 5/16-24 X 3/4	2
19	10801	WASHER, LOCK 5/16 ZINC	2
20	10213	WASHER, FLAT 5/16 SAE ZINC	1
21	10101	KEY 1/4SQ X 1-3/4 (INCLUDED W/ ENGINE)	1
22	-----	SCREW, SKT. HD. CAP 10-24 X 1 (INCLUDED W/ BUSHING, ITEM 24)	3
23	-----	WASHER, LOCK #10 (INCLUDED W/ BUSHING, ITEM 24)	3
24	10557	BUSHING, SHEAVE JA X 1"BORE	1
25	40699	SHEAVE 2.35"OD X 2GR.3V X JA	1

ILLUSTRATION 10: BLADE GUARD GROUPING

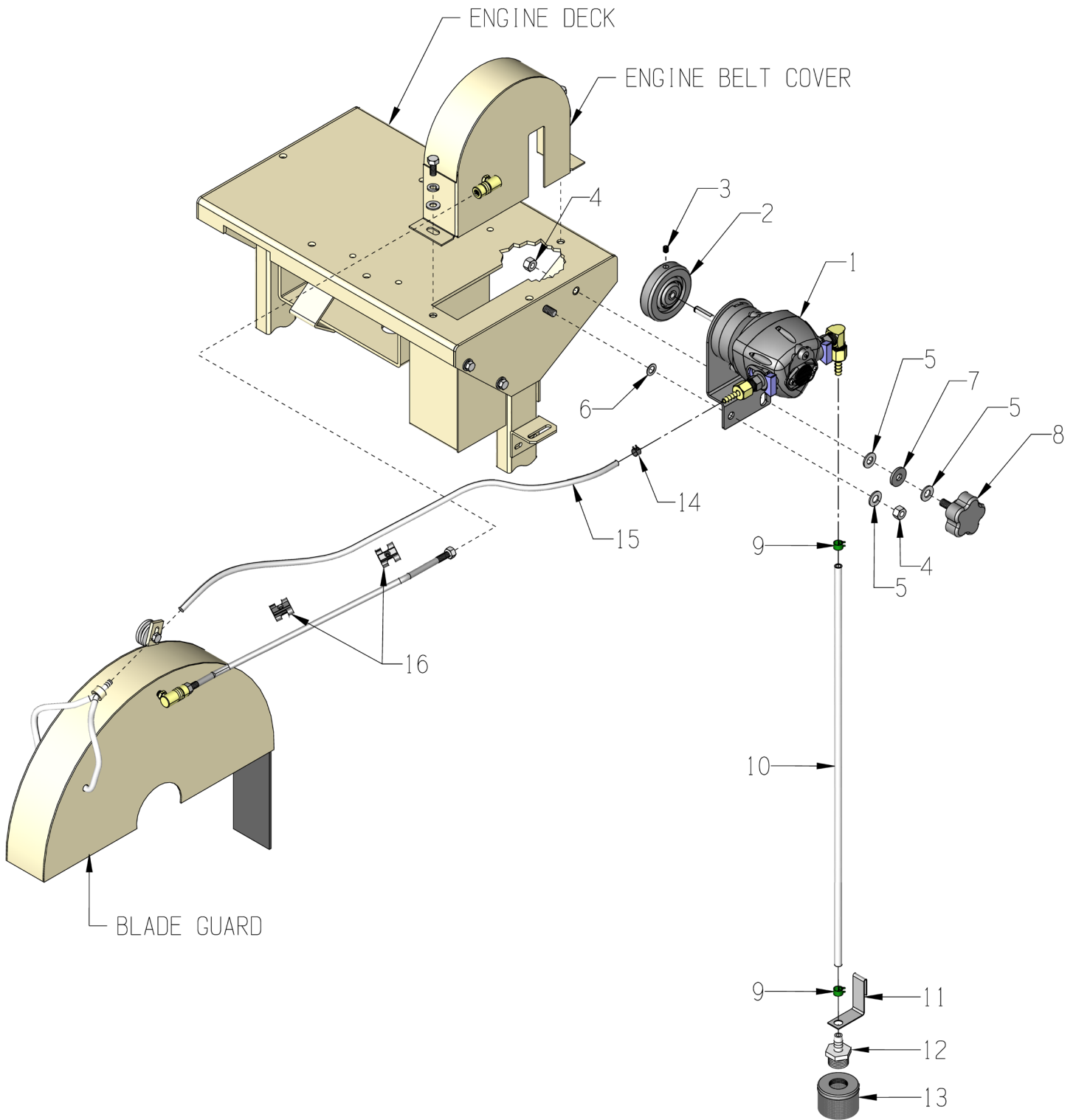


PARTS LISTING

ILLUSTRATION 10: BLADE GUARD GROUPING

ITEM #	PART #	DESCRIPTION	QTY.
1	40615	GUARD, BLADE 14", BB14G	1
2	40012	FLAP, SPLASH 2-1/2 X 7	1
3	11811	BOLT, FLANGE 1/4-20 X 3/4 ZINC	1
4	10602	WASHER, FLAT 1/4 SAE ZINC	1
5	10150	NUT, HEX NYLON LOCK 1/4-20 ZINC	1
6	10031	SCREW, CAP 1/4-20 X 1	2
7	10905	SCREW, CAP 1/4-20 X 1-1/4	1
8	40636	SLIDER GUIDE, BLADE GUARD, BB14G	3
9	11885	WASHER, NYLON FLAT 1/4"	1
10	10015	NUT, HEX LOCK 1/4-20 ZINC	3
11	10602	WASHER, FLAT 1/4 SAE ZINC	3
12	10150	NUT, HEX NYLON LOCK 1/4-20 ZINC	3
13	99323	BARBED FITTING, "Y" 1/4"HOSE	1
14	40654	HOSE 1/4"ID X 6"L, BB14	2
15	40616	ROD, BLADE GUARD LEVELER, BB14G	1
16	10424	NUT, HEX 5/16-24 ZINC	5
17	40617	B.J. LINKAGE, QUICK-DISC. 5/16-24	2
18	40639	STRAP, TUBE/HOSE 5/16"-3/8"	2

ILLUSTRATION 11: WATER PUMP & FILTER GROUPING



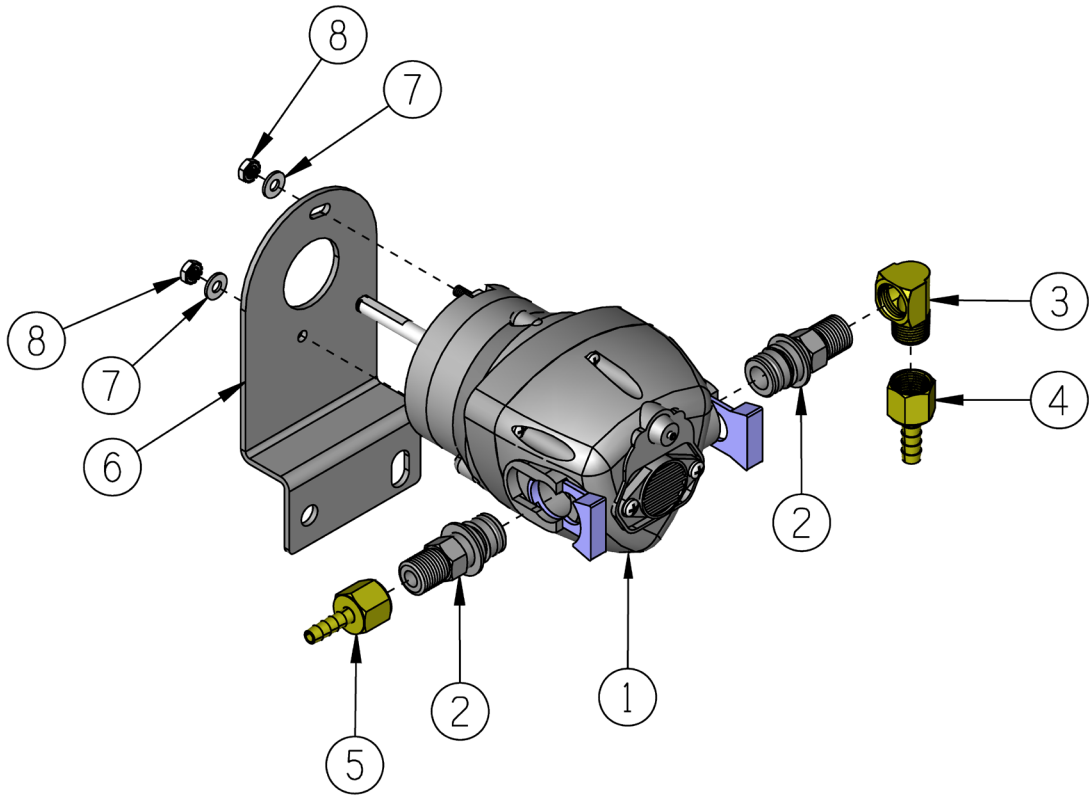
PARTS LISTING

ILLUSTRATION 11: WATER PUMP & FILTER GROUPING

ITEM #	PART #	DESCRIPTION	QTY.
1	101499	PUMP ASSY., WATER, BB14G (REFER TO ILLUS. 12 FOR BREAKDOWN)	1
2	40684M	WHEEL, WATER PUMP DRIVE 3 X 5/16" B	1
3	10161	SCREW, SET 1/4-28 X 5/16	1
4	10810	NUT, HEX LOCK 3/8-16 ZINC	2
5	10025	WASHER, FLAT 3/8 SAE ZINC	3
6	64159	SHIM 3/8 X 5/8 X .031	1
7	42224	BUSHING, RUBBER 1" OD X 3/8" ID X 1/8	1
8	51230	KNOB, STAR CLAMPING 3/8-16 X 1" STUD	1
9	10762	CLAMP, HOSE, SPRING-BAND 7/16" GRN	2
10	40369	HOSE 5/16" ID X 24" L, BB14G	1
11	40693	CLIP, FILTER HANGER (S.S.)	1
12	40692	BARB, 3/8 HOSE X 3/4 NPT (NYLON)	1
13	40691	FILTER BASKET 3/4 NPT, 16 MESH S.S.	1
14	11744	CLAMP, HOSE, SPRING-BAND 3/8" BLK	1
15	40686	HOSE 1/4" ID X 24" L, BB14G	1
16	40639	STRAP, TUBE/HOSE 5/16"-3/8"	2

ILLUSTRATION 12: WATER PUMP ASSEMBLY

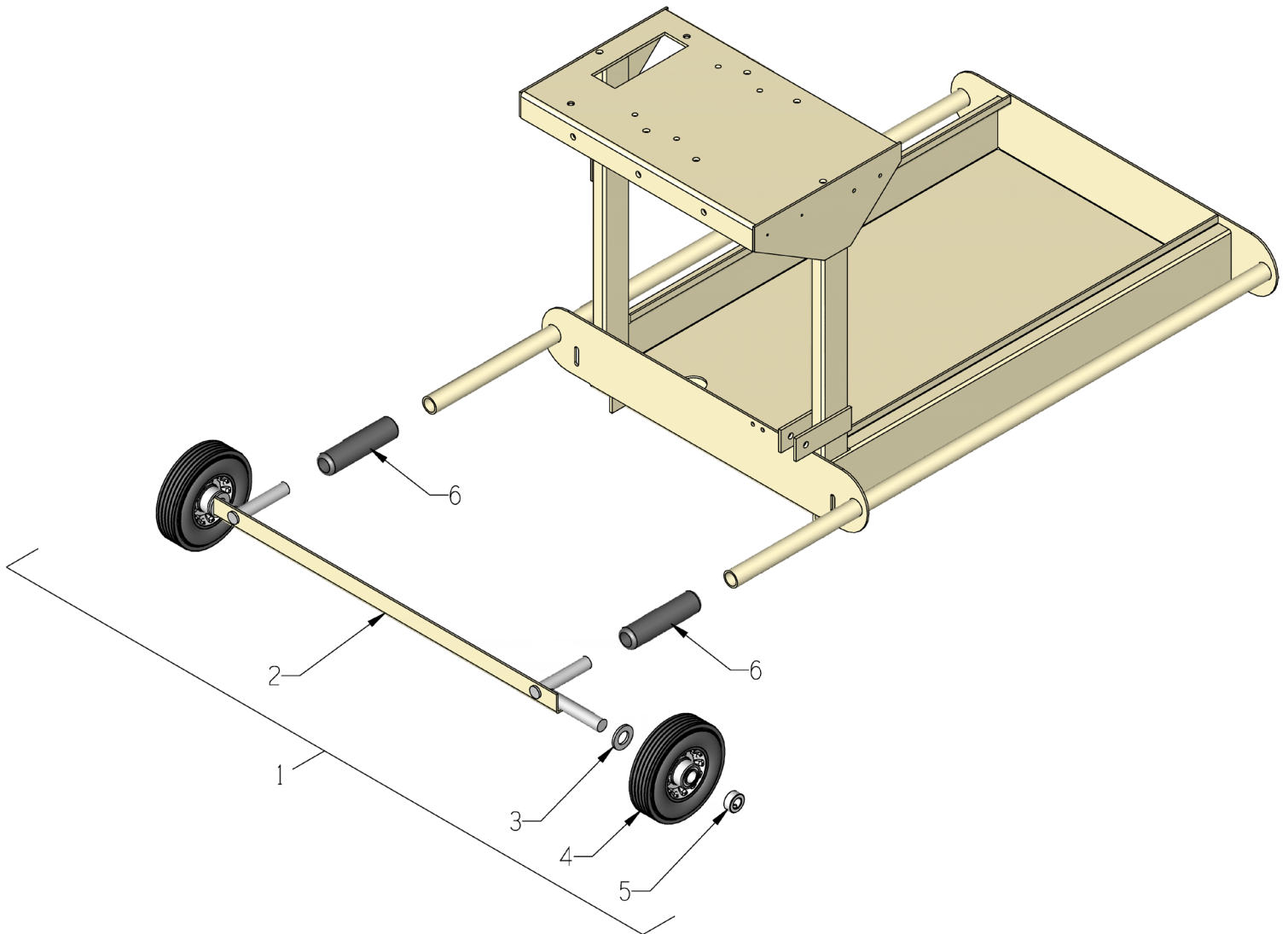
PART # 101499



ITEM #	PART #	DESCRIPTION	QTY.
1	101386	WATER PUMP, FLOJET PULLEY DRIVEN	1
2*	101389	FITTINGS, STR. QUAD PORT X 3/8 NPT (2 PK)	1 PK
3	10220	ELBOW, STREET 3/8NPT X 90 (BRASS)	1
4	101395	BARB, 5/16HOSE X 3/8FPT (BRASS)	1
5	101396	BARB, 1/4HOSE X 3/8FPT (BRASS)	1
6	101387	WATER PUMP BRACKET, BB-14G	1
7	10850	WASHER, FLAT #10 SAE ZINC	2
8	11740	NUT, KEPS LOCK 10-24 ZINC	2
*NOTE: ITEM 2 IS 2 FITTINGS PER PACK			

**ILLUSTRATION 13:
OPTIONAL "TOTE-A-SAW"
TRANSPORT WHEELS**

PART # 40091

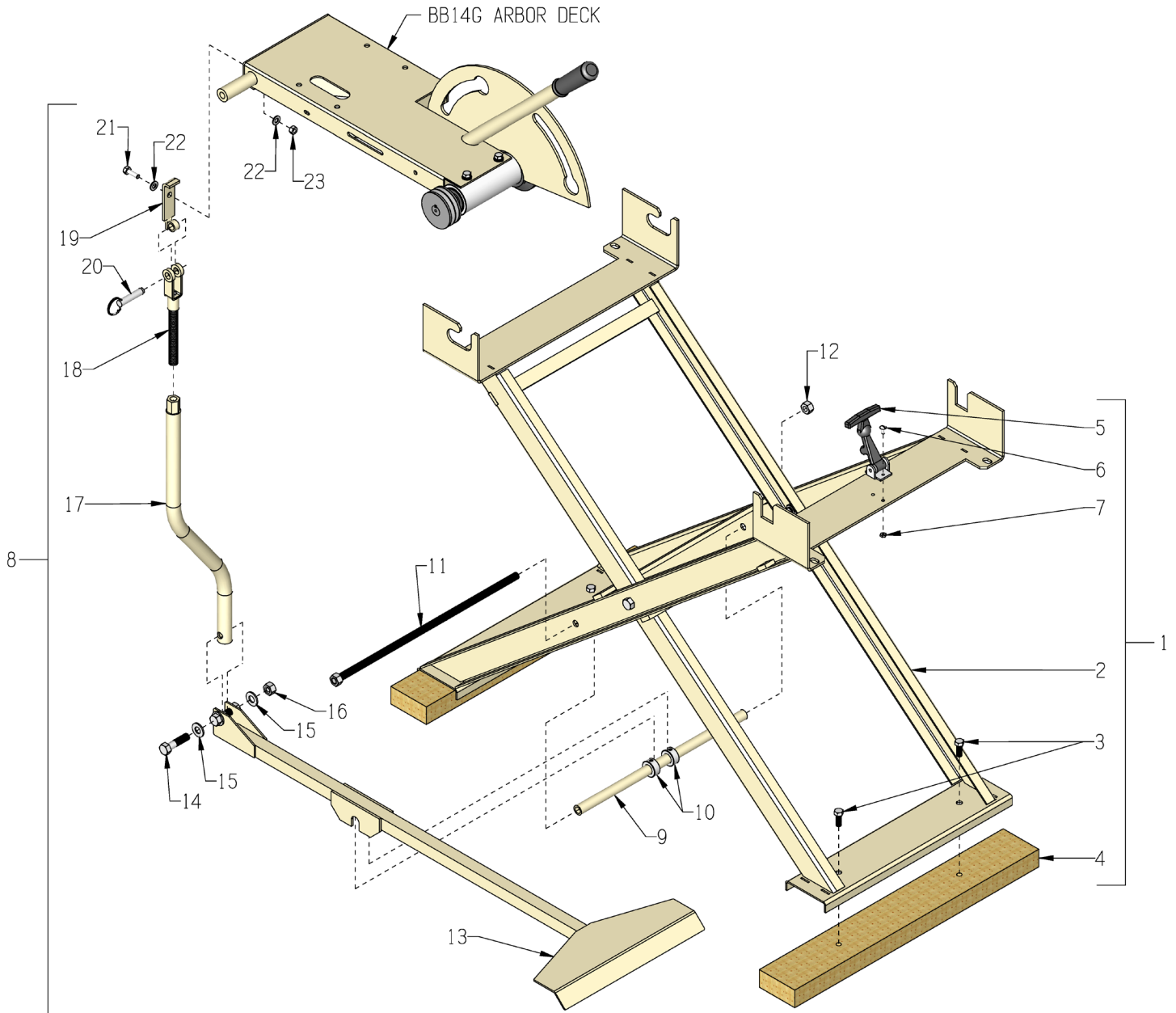


ITEM #	PART #	DESCRIPTION	QTY.
1	40091	TOTE-A-SAW, BB14 SERIES (INCLUDES ITEMS 2 THRU 6)	1
2	40092	FRAME, TOTE-A-SAW	1
3	10009	WASHER, FLAT 3/4 SAE	2
4	80028	WHEEL 6 X 2 X 3/4" BRG.	2
5	10428	COLLAR, LOCKING 3/4" ID	2
6	61067	GRIP, FOAM 7/8" ID X 5" L	2

ILLUSTRATION 14: OPTIONAL STAND & FOOT PEDAL ASSEMBLY

FOLDING STAND - PART #40631 (ITEM #1)

FOOT PEDAL KIT - PART #40632 (ITEM #8)



PARTS LISTING

ILLUSTRATION 14: OPTIONAL STAND & FOOT PEDAL ASSEMBLY

ITEM #	PART #	DESCRIPTION	QTY.
1	40631	FOLDING STAND, BB14 (ITEMS 2 THRU 7)	1
2	40631W	STAND ONLY	1
3	10367	BOLT, LAG 3/8 X 1	4
4	21801	SKID BOARD 2 X 4 X 24"L, 14"STAND	2
5	52002	LATCH, FLEXIBLE DRAW W/ T-HANDLE	1
6	10830	SCREW, MACHINE PPH 10-32 X 1/2	2
7	10832	NUT, KEPS LOCK 10-32 ZINC	2
8	40632	FOOT PEDAL KIT, BB-14 (ITEMS 9 THRU 23)	1
9	40634	FOOT PEDAL PIVOT TUBE, BB14	1
10	10428	COLLAR, LOCKING 3/4"ID	2
11	40383	BOLT, ALLTHREAD ROD 1/2-13 X 17-1/2	1
12	10407	NUT, HEX LOCK 1/2-13 ZINC	1
13	40633	FOOT PEDAL, BB14	1
14	10322	SCREW, CAP 1/2-20 X 2	1
15	10312	WASHER, FLAT 1/2 SAE ZINC	2
16	10205	NUT, HEX LOCK 1/2-20 ZINC	1
17	40635	FOOT PEDAL LINKAGE, BB14	1
18	41019	LINKAGE, CLEVIS	1
19	40688	MOUNT, FOOT PEDAL LINKAGE, BB14	1
20	10125	PIN, DETENT RING 1/2 X 1-1/2 E.L.	1
21	10806	SCREW, CAP 5/16-18 X 1	1
22	10213	WASHER, FLAT 5/16 SAE ZINC	1
23	10807	NUT, HEX LOCK 5/16-18 ZINC	1

DECAL SHEET

P/N 92203 REVD

BB-14G.2

14x17



WARNING: Cancer and Reproductive Harm.
For more information, go to www.P65Warnings.ca.gov

GREASE BEARINGS
DAILY



YOU MUST READ OPERATOR'S INSTRUCTION MANUAL BEFORE OPERATING



THROTTLE



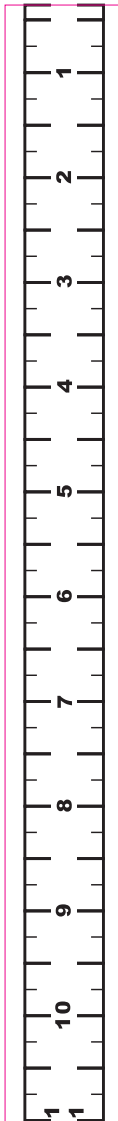
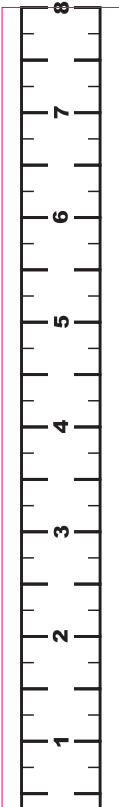
CHECK OIL DAILY

WARNING
THERE IS NO OIL IN THIS MACHINE

exceeds 85dBA



Disengage
water pump
when
cutting dry



RENTAL-TOUGH



LIMITED EQUIPMENT WARRANTY OF SALE

Equipment Development Company, Inc. herein referred to as EDCO (Seller) warrants that each new unit manufactured by EDCO to be free from defects in material and workmanship in normal use and service for a period of (1) one year (except for the cutter drum assembly on all model concrete/asphalt planers AND the chisel head assembly on all model ALR's & ALR-BS in which case the warranty period shall be 90 days) from date of shipment to the original retail or equipment rental center owner.

Accessories or equipment furnished and installed on the product by EDCO but manufactured by others, including, but not limited to engines, motors, electrical components, transmissions etc., shall carry the accessory manufacturers own warranty.

EDCO will, at its option, repair or replace, at the EDCO factory or at a point designated by EDCO, any part which shall appear to the satisfaction of EDCO inspection to have been defective in material or workmanship.

EDCO reserves the right to modify, alter and improve any part or parts without incurring any obligation to replace any part or parts previously sold without such modified, altered or improved part or parts.

This warranty is in lieu of and excludes all other warranties, expressed, implied, statutory, or otherwise created under applicable law including, but not limited to the warranty of merchantability and the warranty of fitness for a particular purpose in no event shall seller or the manufacturer of the product be liable for special, incidental, or consequential damages, including loss of profits, whether or not caused by or resulting from the negligence of seller and/or the manufacturer of the product unless specifically provided herein. In addition, this warranty shall not apply to any products or portions thereof which have been subjected to abuse, misuse, improper installation, maintenance, or operation, electrical failure or abnormal conditions and to products which have been tampered with, altered, modified, repaired, reworked by anyone not approved by seller or used in any manner inconsistent with the provisions of the above or any instructions or specifications provided with or for the product.

TERMS AND CONDITIONS

(NOT APPLICABLE TO SALES THROUGH AUTHORIZED DISTRIBUTION)

FORCE MAJEURE

Seller's obligation hereunder are subject to, and Seller shall not be held responsible for, any delay or failure to make delivery of all or any part of the Product due to labor difficulties, fires, casualties, accidents, acts of the elements, acts of God, transportation difficulties, delays by a common carrier, inability to obtain Product, materials or components or qualified labor sufficient to timely perform part of or all of the obligations contained in these terms and conditions, governmental regulations or actions, strikes, damage to or destruction in whole or part of manufacturing plant, riots, terrorist attacks or incidents, civil commotions, warlike conditions, flood, tidal waves, typhoon, hurricane, earthquake, lightning, explosion or any other causes, contingencies or circumstances within or without the United States not subject to the Seller's control which prevent or hinder the manufacture or delivery of the Products or make the fulfillment of these terms and conditions impracticable. In the event of the occurrence of any of the foregoing, at the option of Seller, Seller shall be excused from the performance under these Terms and Conditions, or the performance of the Seller shall be correspondingly extended.

This document sets forth the terms and conditions pursuant to which the purchaser ("Purchaser") will purchase and Equipment Development Co. Inc. ("Seller") will sell the products, accessories, attachments (collectively the Products) ordered by the Purchaser. These terms and conditions shall govern and apply to the sale of Seller's Products to Purchaser, regardless of any terms and conditions appearing on any purchase order or other forms submitted by Purchaser to Seller, or the inconsistency of any terms therein and herein.

1. PRICE

All prices set forth on any purchase order or other document are F.O.B. Seller's facility or distribution point, as may be determined by Seller (F.O.B. Point). All prices are exclusive of any and all taxes, including, but not limited to, excise, sales, use, property or transportation taxes related to the sale or use of the Products, now or hereafter imposed, together with all penalties and expenses. Purchaser shall be responsible for collecting and/or paying any and all such taxes, whether or not they are stated in any invoice for the Products. Unless otherwise specified herein, all prices are exclusive of inland transportation, freight, insurance and other costs and expenses relating to the shipment of the Products from the F.O.B. point to Purchaser's facility. Any prepayment by Seller of freight insurance and other costs shall be for the account of Purchaser and shall be repaid to Seller.

2. PAYMENT TERMS

Payment terms are as follows. 2% 10 days (to approved and qualified accounts). Net 30 days. This is a cash discount for invoices paid within 10 days after the invoice date, regardless of date of receipt of shipment. This is not a trade discount and will not be granted to accounts that do not adhere to stated terms.

*All past due accounts are subject to a late payment fee of 1.5% per month or a maximum allowed by law if different, along with the expenses incidental to collection including reasonable attorney's fees and costs.

*Seller reserves the right to hold shipments against past due accounts.

*Seller reserves the right to alter payment terms.

3. FREIGHT TERMS

All shipments will be made F.O.B. shipping point as designated in these Terms and Conditions, and title shall pass at the F.O.B. point. Delivery to the initial common carrier shall constitute delivery to the Purchaser. Any claims for loss or damage during shipment are to be filed with carrier by the Purchaser. Seller will not assume responsibility for the performance of the carrier.

Back orders will be shipped in the most practical fashion with charges consistent with our freight policy established with the original order. UPS, FED EX, MAIL or shipments by other couriers are subject to the same terms and conditions as outlined in paragraph #3 "Freight Terms".

4. DELIVERY, DAMAGES, SHORTAGES

Seller shall use reasonable efforts to attempt to cause the Products to be delivered as provided for in these Terms & Conditions. Delivery to the initial common carrier shall constitute the delivery to the Purchaser. Seller's responsibility, in so far as transportation risks are concerned ceases upon the delivery of the Products in good condition to such carrier at the F.O.B. point and all the Products shall be shipped at the Purchaser's risk. Seller shall not be responsible or liable for any loss of income and/or profits, or incidental, special, consequential damages resulting from Seller's delayed performance in shipment and delivery.

5. RETURN OF DEFECTIVE PRODUCTS

Defective or failed material shall be held at the Purchaser's premises until authorization has been granted by Seller to return or dispose of Products. Products that are to be returned for final inspection must be returned Freight Prepaid in the most economical way. Credit will be issued for material found to be defective upon Seller's inspection based on prices at time of purchase.

6. PRODUCTS ORDERED IN ERROR

Products may be returned, provided that claim is made and Seller is notified within 7 days of receipt of Products, and the Products are in original buyer's possession not more than 30 days prior to return, subject to Seller's approval. If Products are accepted for return, they must be Freight Prepaid and buyer will be charged a minimum of 15% restocking charge, plus a charge back for outbound freight charges if the original order was shipped prepaid. Returns are not accepted for any Products that are specifically manufactured to meet the buyer's requirement of either specifications or quantity.

AGREEMENTS

These Terms and Conditions constitute the entire agreement between Seller and Purchaser as it relates to terms and conditions of sale, and supersedes any and all prior oral or written agreements, correspondence, quotations or understandings heretofore in force between the parties relating to the subject matter hereof. There are no agreements between Seller and Purchaser with respect to the Product herein except those specifically set forth in and made part of these terms and conditions. Any additional terms, conditions and/or prices are rejected by Seller.

These terms and conditions may be modified, cancelled or rescinded only by a written agreement of both parties executed by their duly authorized agents.

USE ONLY GENUINE EDCO PARTS & ACCESSORIES

For your own safety, the safety of others and the life of your machine.

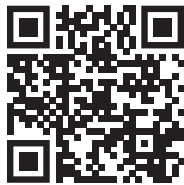
SUBMIT ALL WARRANTY CLAIMS AT:

www.edcoinc.com/customer-support



BEFORE USING THIS PRODUCT

Have You Used EDCO's Online Customer Support??



Scan This QRC or Visit
www.edcoinc.com/customer-support



READ: **EDCO Owner's Manuals and Parts Listings** share basic information and parts of each product. Download and print them whenever needed.



WATCH: **EDCO Product Training Videos** show how to use products, install tooling, and perform basic maintenance.



Example Only

FIND: Somewhere on this product is an **EDCO QRC Training Decal**. Scanning this code provides owner's information, videos, and other training content anywhere/anytime on your mobile device.



CONCRETE KNOWLEDGE

JOIN: **EDCOed.com** is a free, 24-hour training space. Each certification track focuses on a specific EDCO product group. The information in these tracks help businesses be successful with those products.

EDCO is always updating online training / information so you always have the most recent content.

Also see Operator's Safety & Limited Warranty Manual

Equipment Development Co., Inc. • 800.638.3326 • techsupport@edcoinc.com