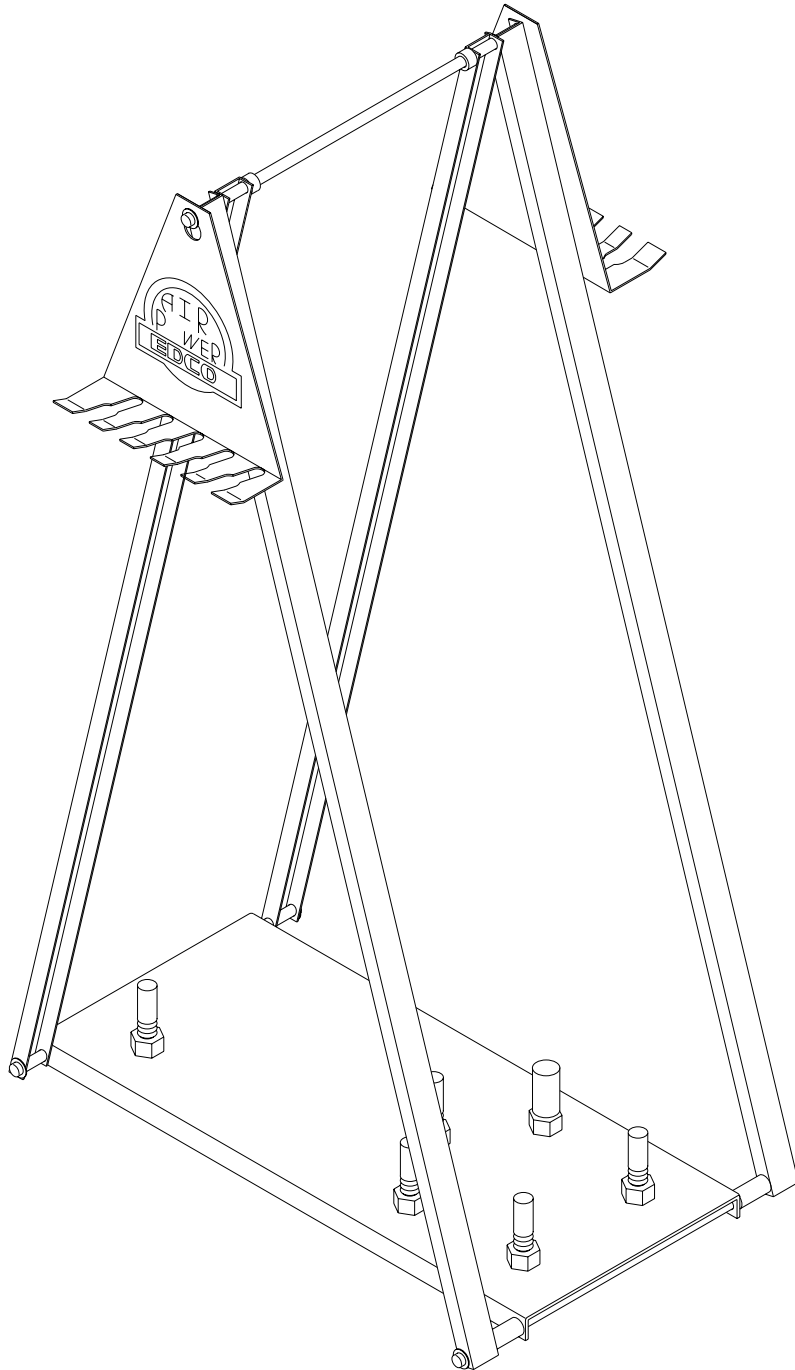


PARTS LIST



Chisel Scaler Display Stand

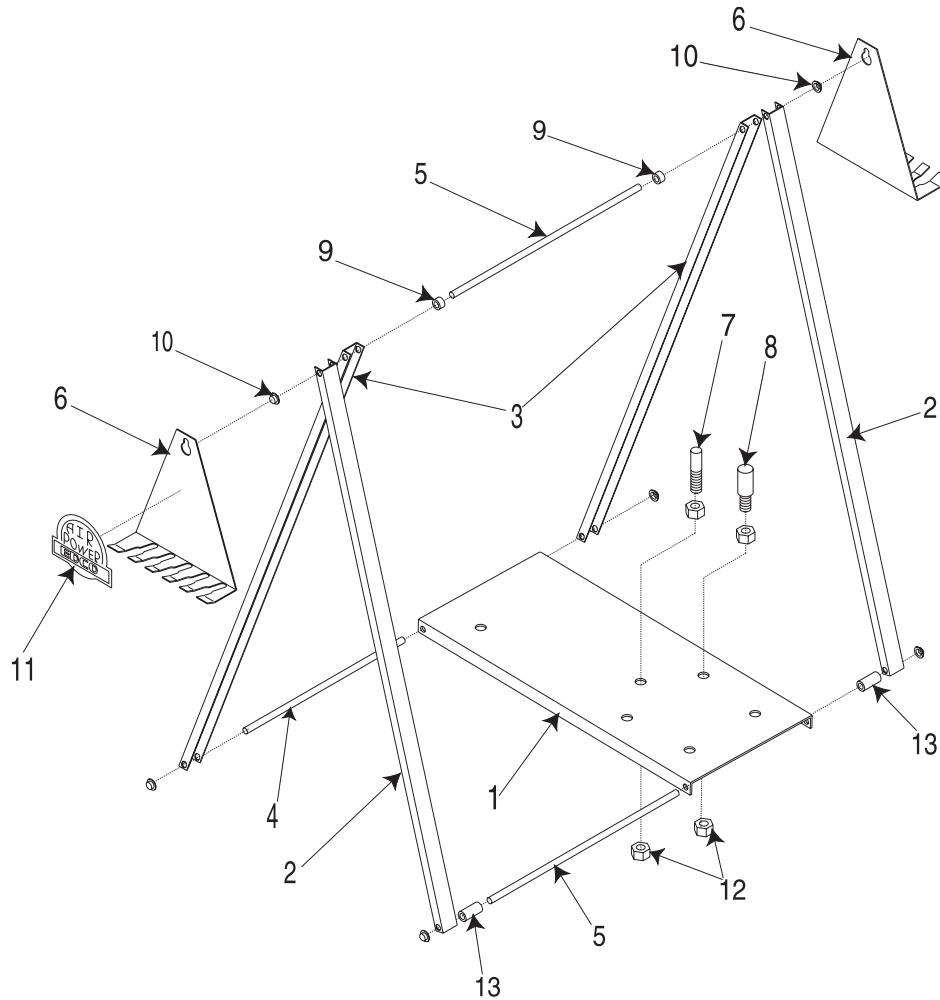
Part No. 27075



100 Thomas Johnson Drive, Frederick, MD 21702-4600 USA
Phone (301) 663-1600 • 1-800-638-3326
Fax (301) 663-1607 • 1-800-447-3326
Website: www.edcoinc.com • Email: sales@edcoinc.com

Printed in USA
©2001

**CHISEL SCALER DISPLAY STAND
PART NO. 27075**



ITEM #	PART #	DESCRIPTION	QTY.
1	27076	BASE, CHISEL SCALER DISPLAY STAND	1
2	27077	LEG, CHISEL SCALER DISPLAY STAND 40"	2
3	27087	LEG, CHISEL SCALER DISPLAY STAND 39-5/16"	2
4	27078	ROD, STEEL 3/8" DIA. x 12-5/8" L	1
5	27079	ROD, STEEL 3/8" DIA. x 15-1/8	2
6	27080	BRACKET, HEX CHISELS	2
7	27082	HOLDER, ALR-E/5/4/2, DISPLAY STAND	5
8	27083	HOLDER, BIG STICK, DISPLAY STAND	1
9	27084	COLLAR, LOCKING 3/8"	2
10	27085	NUT, WASHER-CAP PUSH 3/8"	6
11	27086	DECAL, AIR POWER EDCO (ALR DISPLAY)	2
12	10046	NUT 5/8-11	12
13	27088	SPACER, STEEL 5/8" OD x 3/8" ID x 1-5/16	2