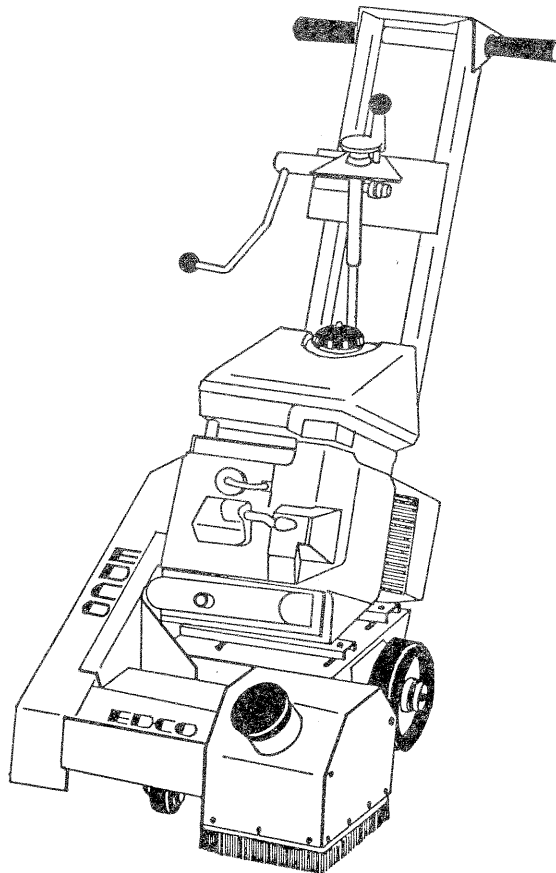


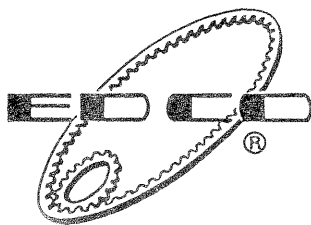
DEC. 1993

COMPACT PLANER

PARTS LIST MANUAL



Model CPM-4



EQUIPMENT DEVELOPMENT COMPANY, INC.

100 THOMAS JOHNSON DRIVE, FREDERICK, MARYLAND 21702-4305 USA

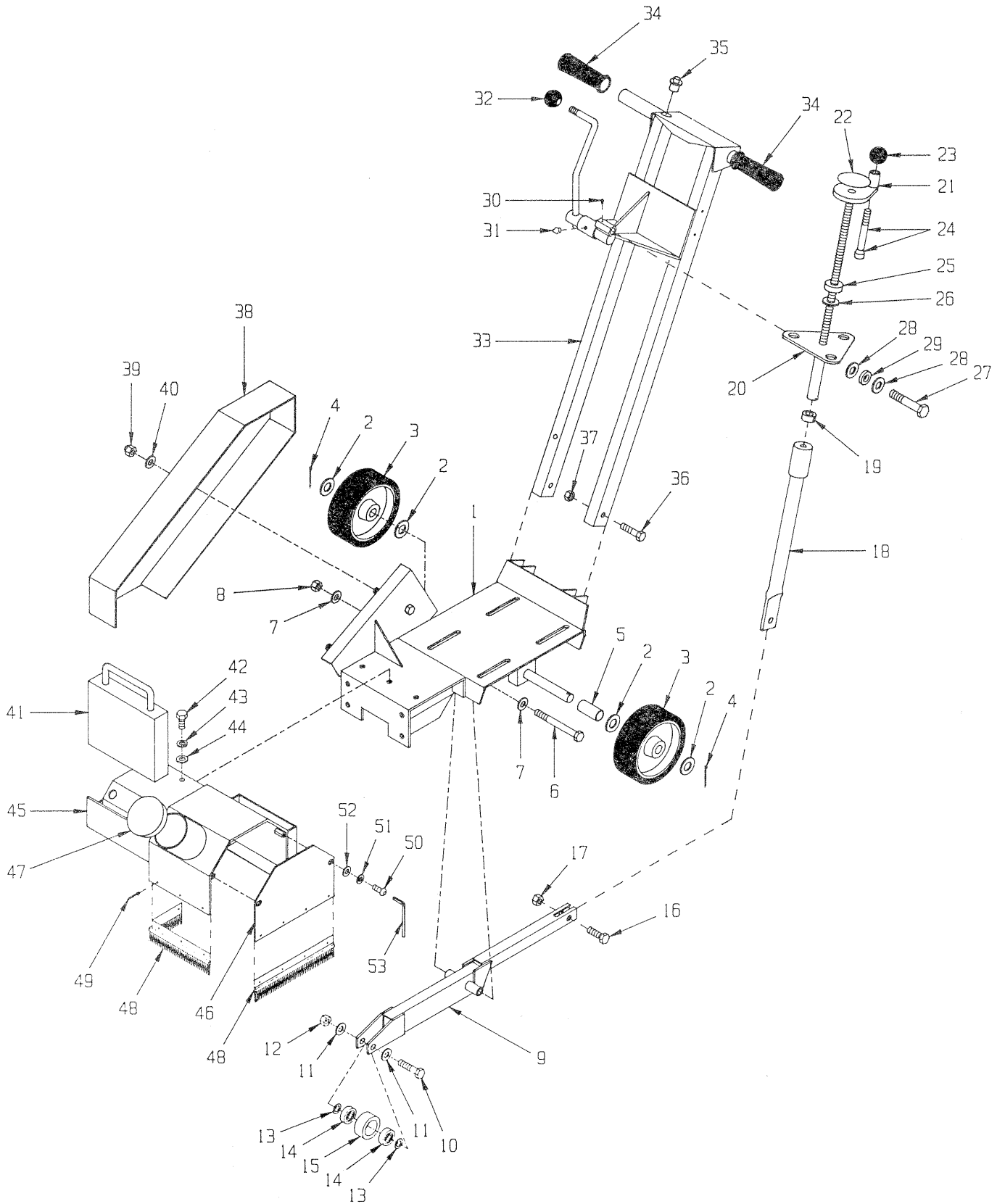
301-663-1600

TOLL FREE 1-800-638-3326

FAX 301-663-1607

PRINTED IN U.S.A.

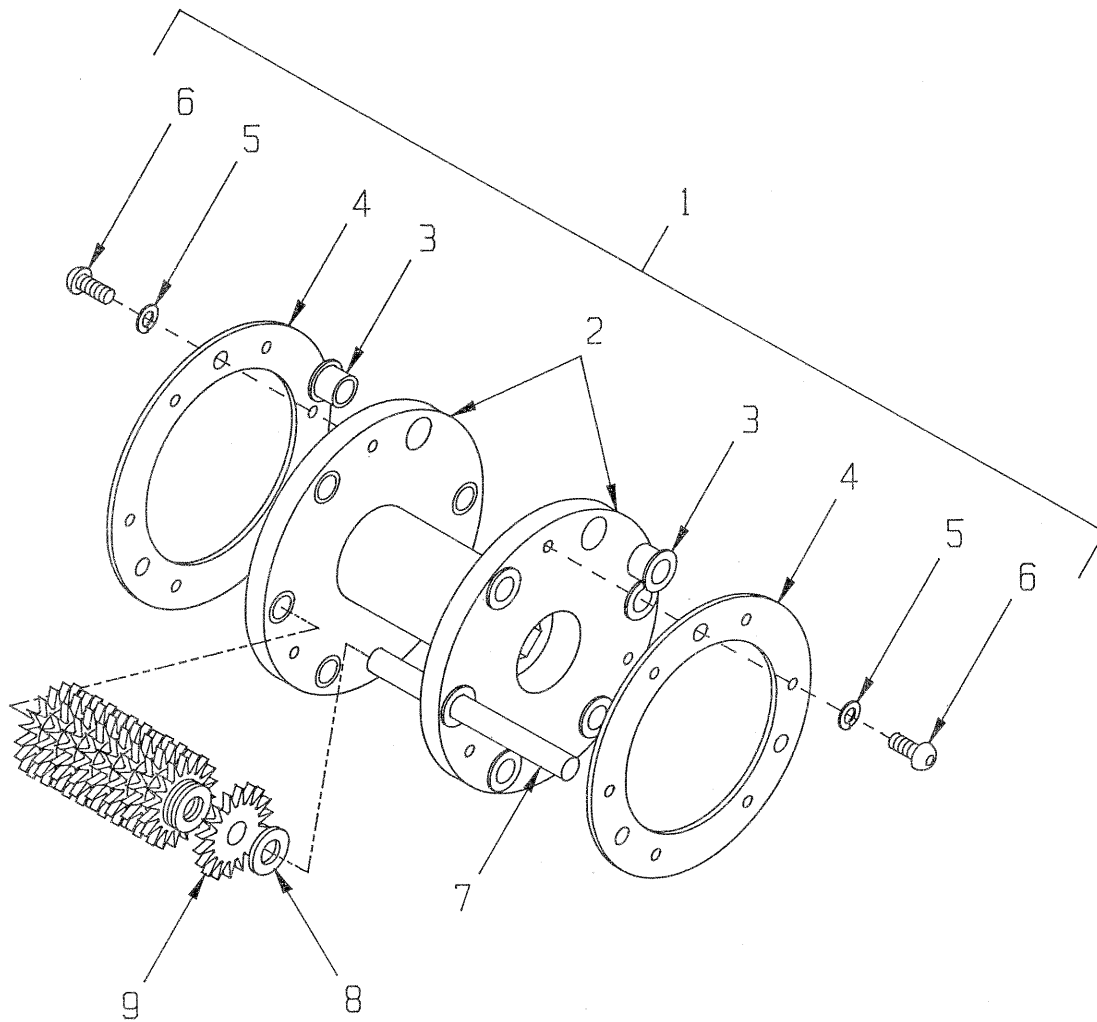
ILLUSTRATION 1: MAIN ASSEMBLY



PARTS LISTING - ILLUSTRATION 1: MAIN ASSEMBLY

Item #	Part #	Description	Qty.
1	66001	Main Frame	1
2	10009	Washer, Flat 3/4	4
3	50030	Wheel 6 x 2 x 3/4" Brg.	2
4	10306	Pin, Cotter 3/16 x 1-1/2	2
5	C66002	Spacer, Rear Wheel	1
6	10386	Screw, Cap 1/2-13 x 4-1/2	1
7	10312	Washer, Flat 1/2	2
8	10407	Nut, Lock 1/2-13	1
9	66006	Fork, Front Wheel	1
10	10322	Screw, Cap 1/2-20 x 2	1
11	10312	Washer, Flat 1/2	2
12	10205	Nut, Lock 1/2-20	1
13	10040	Washer, Garret 17/32	2
14	3659	Bearing, Ball 1/2" ID x 1-3/8" OD	2
15	C66007	Wheel, Steel 2" Dia.	1
16	10308	Screw, Cap 1/2-20 x 1-1/2	1
17	10205	Nut, Lock 1/2-20	1
18	66008	Linkage, Control Lower	1
19	10096	Collar, Locking 5/8	1
20	65007	Linkage Support, Upper	1
21	65008	Handwheel, Small W/ 5/8-8 x 18" Rod	1
22	80007	Decal, "Cut Control" (Small)	1
23	14023	Knob, Ball 1-3/8" Dia. W/ 1/2-13 Thd.	1
24	10044	Screw, Skt. Hd. 1/2-13 x 3-1/2	1
	50550	Tapered Sleeve for 1/2" Capscrew	1
25	85005	Bearing, Ball 5/8" ID x 1-1/2 Thrust	1
26	10073	Washer, Flat 5/8	1
27	10359	Screw, Cap 5/8-11 x 3-1/4	1
28	10073	Washer, Flat 5/8	2
29	79035	Bushing, Rubber 5/8" ID x 1/4" Thk.	1
30	10127	Screw, Drive 1/8	1
31	10808	Fitting, Grease 1/4-28 Straight	1
32	14023	Knob, Ball 1-3/8" Dia. W/ 1/2-13 Thd.	1
33	66009	Handle Bar	1
34	10608	Hand Grip 1" Model AT	2
35	50010	Switch Kit, Stop Button (Gas Only)	1
36	10030	Screw, Cap 3/8-24 x 2	2
37	10004	Nut, Lock 3/8-24	2
38	C66016	Cover, Belt	1
39	10865	Nut, Acorn 1/2-13	2
40	10045	Washer, Lock 1/2	2
41	C66021	Weight Block	1
42	10907	Screw, Cap 3/8-16 x 3/4	3
43	10811	Washer, Lock 3/8	3
44	10025	Washer, Flat 3/8	3
45	C66017	Cover, Front	1
46	C66018	Cover, Drum Side Access	1
47	64030	Cap Plug 3"	1
48	66019	Brushes (Set of 4)	1
49	10128	Rivet, Pop 1/8 x 1/4	14
50	10627	Screw, S.B.H.C. 5/16-18 x 3/4	2
51	10801	Washer, Lock 5/16	2
52	10213	Washer, Flat 5/16	2
53	66045	Wrench, Hex Key 3/16	1

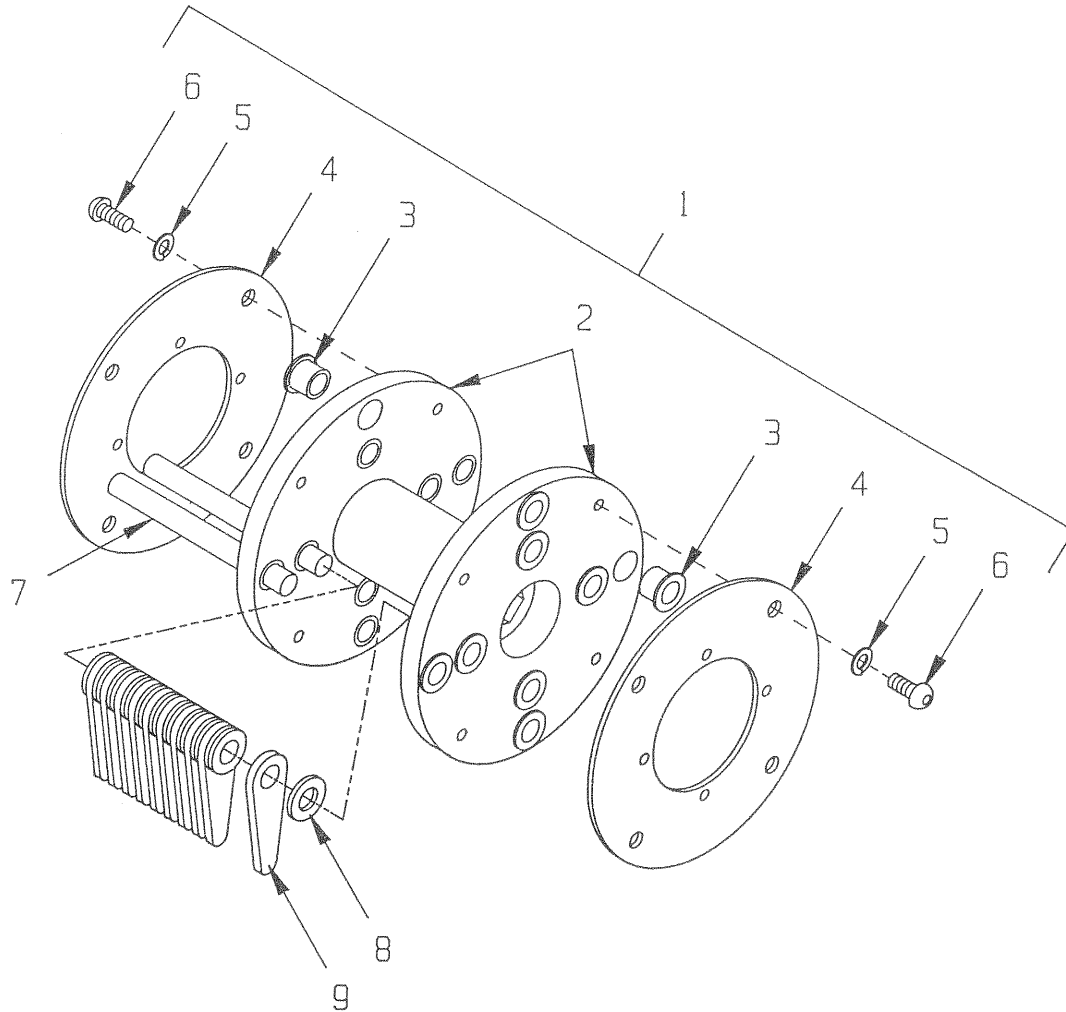
ILLUSTRATION 2: CUTTER WHEEL DRUM ASSEMBLY



Item #	Part #	Description	Qty.
1	C66040	Drum Assembly Complete (Includes Items 2 thru 6)	
2	C66041	Drum Only, Cutter	1
3	65055	Bushing, Drum Hardened Steel 1/2"	12
4	65054	Retaining Plate, Cutter Shaft	2
5	10801	Washer, Lock 5/16	6
6	10627	Screw, S.B.H.C. 5/16-18 x 3/4	6
7	C66043	CP410 Cutter Shaft 1/2 x 5-1/4"L	6
8	12230	CG227 Spacer 1/2" ID	*
9		Cutter Wheel	*
	12206	JRS501-P Pointed Hi-Carbon Steel	
	20206	CP-305 Flat Tip Hi-Carbon Steel	
	20156	CP-205-T Tungsten Carbide	
	20266	CP-215-T Wide Tungsten Carbide	

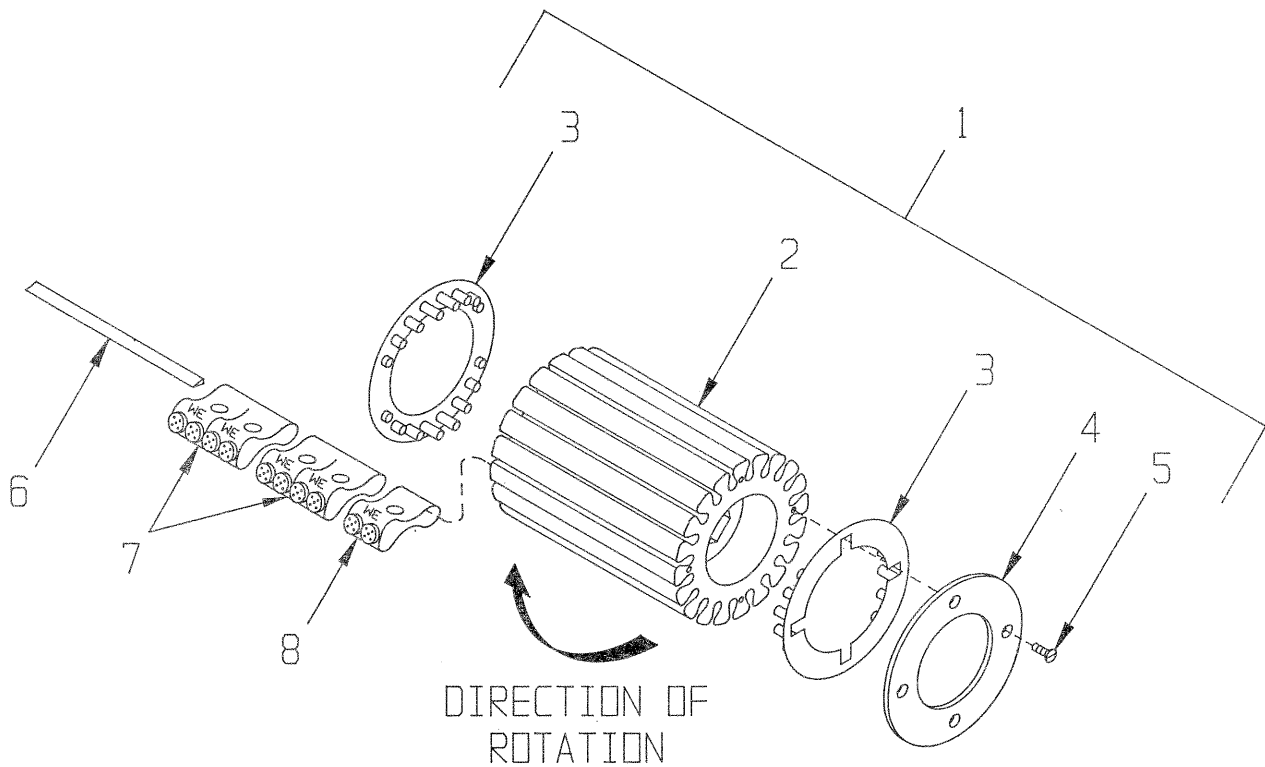
* NOTE: Number of Cutters and Spacers vary with type of set-up used.

ILLUSTRATION 3: FLAIL DRUM ASSEMBLY



Item	Part #	Description	Qty.
	C66080	Drum Assembly Complete, Flail (Includes Items 2 thru 6)	
2	C66081	Flail Drum Only	1
3	65055	Bushing, Drum Hardened Steel 1/2"	16
4	C66082	Retaining Plate	1
5	10801	Washer, Lock 5/16	2
6	10627	Screw, S.B.H.C. 5/16-18 x 3/4	2
7	C66043	CP410 Cutter Shaft 1/2 x 5-1/4"L	8
8	12230	CG227 Spacer 1/2"ID	84
9	20276	Flail	38

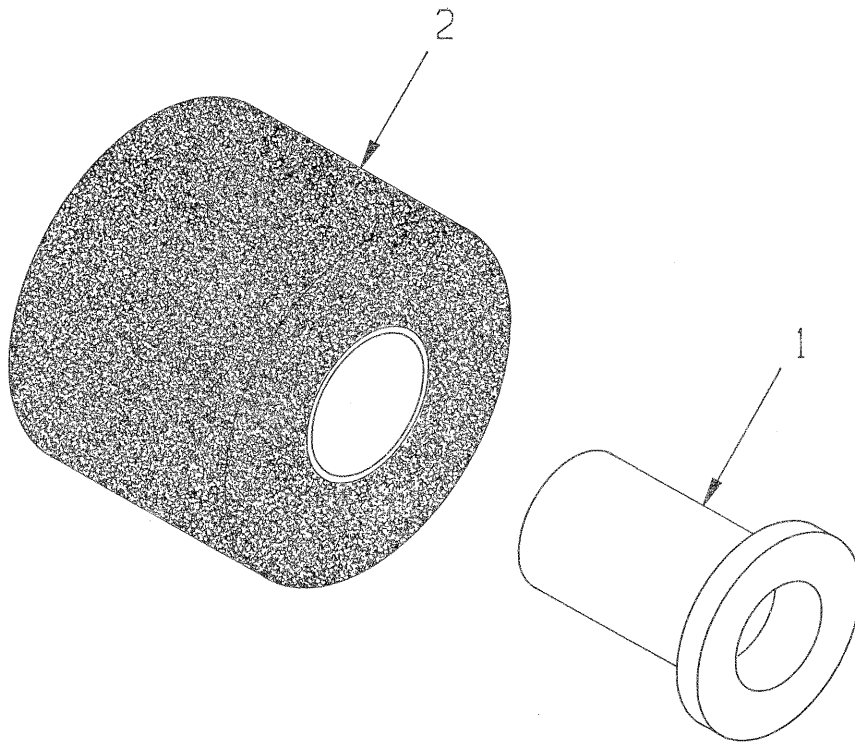
ILLUSTRATION 4: ROTO-PEEN FLAP HUB ASSEMBLY



Item	Part #	Description	Qty.
1	C66050	Hub Assembly Complete, Roto-Peen (Includes Items 2 thru 5)	
2	C66051	Hub Only 5-1/2"	1
3	25060	Spacer Ring	2
4	C66052	Retaining Plate	1
5	10628	Screw, Flat Hd. 8-32 x 1/2	4
6	C66054	Keeper Strip 5"	20
7		Roto-Peen Flap 2"	*
	25020	2" Type B	
	25021	2" Type C	
	25022	2" Type D	
8		Roto-Peen Flap 1"	*
	25010	1" Type B	
	25011	1" Type C	
	25012	1" Type D	

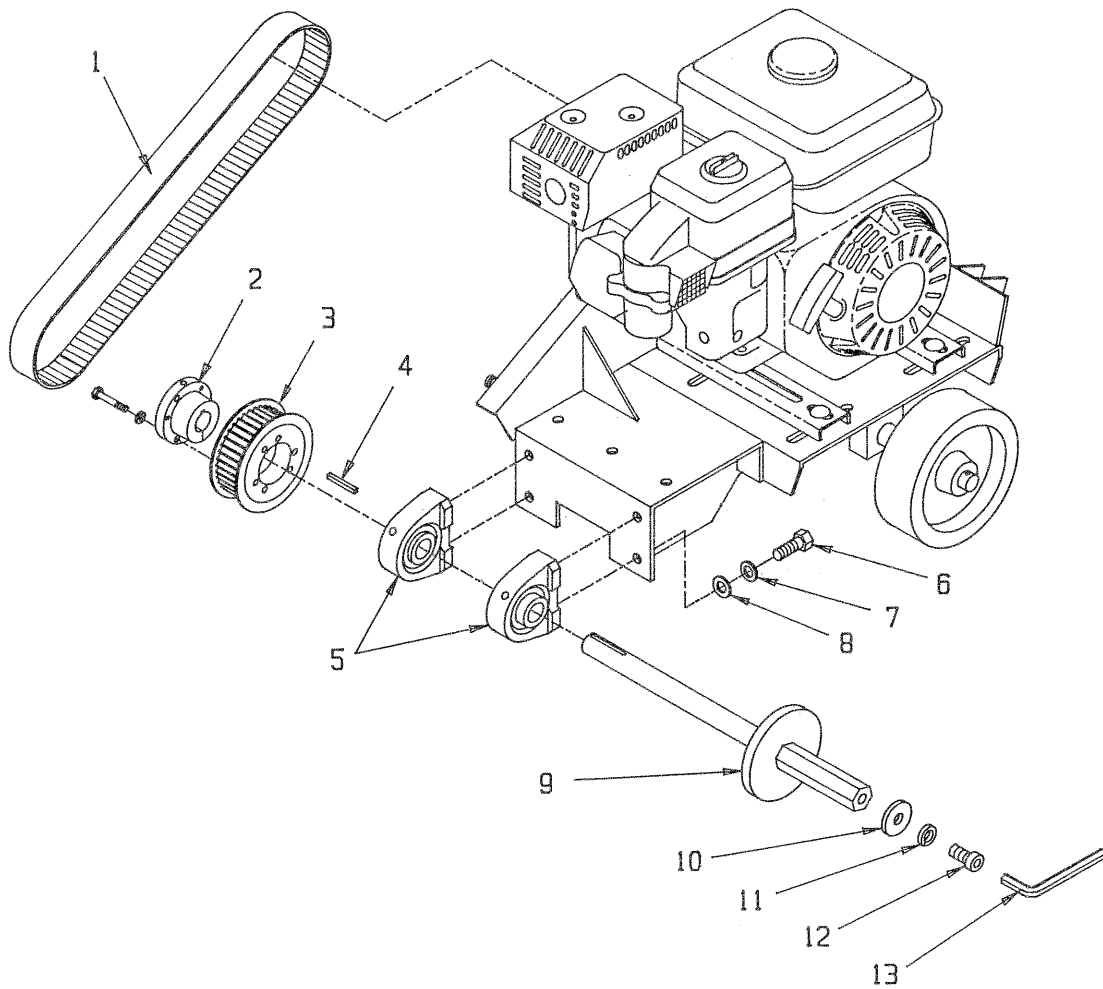
* NOTE:
 Flaps are not included with hub assembly.
 Number of flaps vary with type of set-up used.
 Refer to Assembly Instructions for suggested
 flap types and quantities.

ILLUSTRATION 5: ACCESSORY HUB



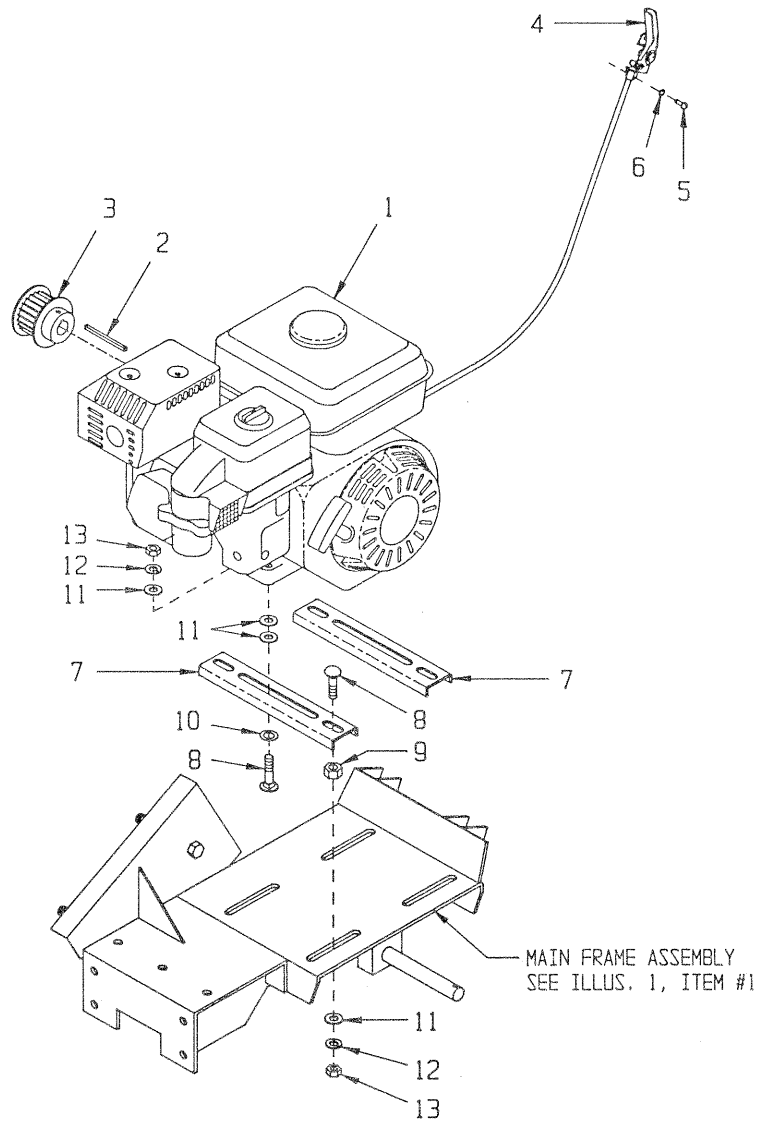
Item #	Part #	Description	Qty.
1	C66060	Hub, Accessory	1
2	C66066	Brush Wheel 7"D x 5-1/4"L	1

ILLUSTRATION 6: BELT & DRIVE SHAFT ASSEMBLY



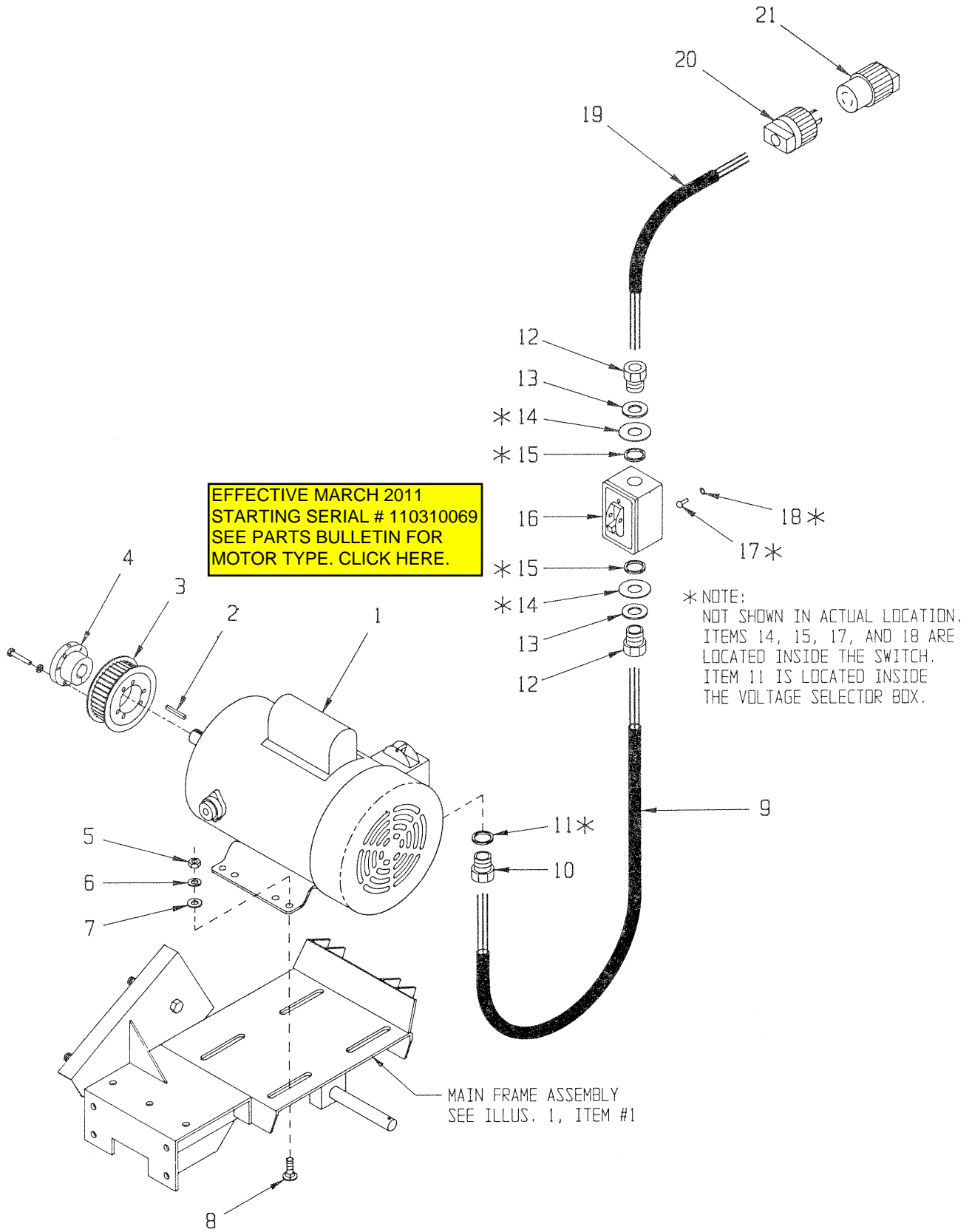
Item #	Part #	Description	Qty.
1	10270	Belt, HTD 1040-8M-30	1
2	10546	Bushing, Sheave SH x 7/8" Bore	1
3	C90052	Sprocket, HTD P38-8M-30-SH	1
4	10016	Key 3/16" Sq. x 1-1/2	1
5	C66013	Bearing, Ball 7/8" TPB	2
6	10907	Screw, Cap 3/8-16 x 3/4	4
7	10811	Washer, Lock 3/8	4
8	10025	Washer, Flat 3/8	4
9	C66012	Drive Shaft, Drum	1
10	C66011	Washer, Drum Retaining	1
11	10420	Washer, Lock 1/2 Heavy-Duty	1
12	10419	Screw, Skt. Hd. Cap 1/2-13 x 1	1
13	66044	Wrench, Hex Key 3/8	1

ILLUSTRATION 7: ENGINE ASSEMBLY



Item #	Part #	Description	Qty.
1		Engine	1
	40387	Honda 5.5 HP GX160 (Shown)	
	15025	Kohler 5 HP Command (Not Shown)	
2	10115	Key 1/4" Sq. x 2	1
3	66046	Sprocket, HTD P22-8M-30 (Bored 3/4")	1
4	3611	Cable, Throttle Lever Type 54"	1
5	10828	Screw, Self-Tap 10-24 x 1/2, Pan Hd.	2
6	10831	Washer, Int. Tooth #10	2
7	C66039	Bracket, Engine Mount	2
8	10804	Bolt, Carriage 3/8-16 x 1-1/2	8
9	10417	Nut 1/2-13	4
10	10040	Washer, Garret 17/32	4
11	10025	Washer, Flat 3/8	16
12	10811	Washer, Lock 3/8	8
13	10404	Nut 3/8-16	8

ILLUSTRATION 8: MOTOR ASSEMBLY



PARTS LISTING - ILLUSTRATION 8: MOTOR ASSEMBLY

Item #	Part #	Description	Qty.
1		Motor, Baldor	1
	76027	1.5 HP-1 Phase, 60 Hz, 1725 RPM	
	16019	2.0 HP-1 Phase, 50 Hz, 1425 RPM	
2	-----	Key 3/16" Sq. (Included W/ Motor)	
3	C90052	Sprocket, HTD P38-8M-30-SH	1
4	10546	Bushing, Sheave SH x 7/8" Bore	1
5	10404	Nut 3/8-16	4
6	10811	Washer, Lock 3/8	4
7	10025	Washer, Flat 3/8	4
8	10823	Bolt, Carriage 3/8-16 x 3/4	4
9	66047	Wire Harness, Switch/Motor 12/3 x 24	1
10	10959	Connector, Strain Relief 3/4NPT x .550-.650" Range	1
11	10740	Conduit Lock Nut 3/4 NP	1
12	41130	Connector, Strain Relief 1/2NPT x .550-.650" Range	2
13	77081	Washer, Switch Box Outer	2
14	77080	Washer, Switch Box Inner	2
15	10790	Conduit Lock Nut 1/2 NP	2
16	77027	Switch W/ Enclosure DPST	1
	77018	Switch Only DPST 30A/250V, 20A/600V (Included W/ Part #77027)	
17	10828	Screw, Self-Tap 10-24 x 1/2	2
18	10455	Washer, Ext. Tooth #10	2
19	77026	Wire Harness, Switch/Plug 12/3 x 12	1
20		Plug, Locking	1
	40042	20A/125V (Standard)	
	40037	20A/250V (Optional)	
21		Plug Connector, Locking	1
	40041	20A/125V (Standard)	
	40000	20A/250V (Optional)	

LIMITED EQUIPMENT WARRANTY

Equipment Development Company, Inc. herein referred to as EDCO warrants that each new unit manufactured by EDCO to be free from defects in material and workmanship in normal use and service for a period of (1) one year (except in the case of the cutter drum assembly on all model concrete asphalt planes, in which case the warranty period shall be 90 days) from date of shipment to the original retail or equipment rental center owner.

EDCO will, at its option, repair or replace, at the EDCO factory or at a point designated by EDCO any part, which shall appear to the satisfaction of EDCO inspection to have been defective in material or workmanship.

This warranty, does not apply to failure occurring as a result of abuse, misuse, negligent repairs, corrosion, erosion, normal wear and tear, alterations or modifications made to the product without express written consent of EDCO; or failure to follow the recommended operating practices and maintenance procedures as provided in the products operating and maintenance manuals.

This warranty does not obligate EDCO to bear any transportation charges in connection with the replacement or repair of defective parts. This warranty does not obligate EDCO to bear any expenses for travel time or of personnel in connection with any service calls.

Accessories or equipment furnished and installed on the product by EDCO but manufactured by others, including but not limited to engines, motors, electrical equipment, transmissions, etc., shall carry the accessory manufacturers' own warranty.

THIS WARRANTY IS IN LIEU OF ALL OTHER WARRANTIES, EXPRESSED OR IMPLIED, OR STATUTORY, INCLUDING ANY WARRANTIES OF MERCHANTABILITY OR OF FITNESS FOR A PARTICULAR PURPOSE.

LIABILITY LIMITATIONS

The remedies of the user set forth under provisions of warranty outlined above are exclusive and the total liability of EDCO with respect to their sale or the equipment and service furnished hereunder, in connection with the performance or breach thereof, or from the sale, delivery, installation, repair or technical direction covered by or furnished under the sale, whether based on contract, warranty, negligence, indemnity, strict liability, or otherwise shall not exceed the purchase price of the unit of equipment upon which such liability is based.

EDCO will not in any event be liable to the user, any successors in interest or any beneficiary or assignee relating to this sale for any consequential, incidental, indirect, special or punitive damages arising out of this sale or any breach thereof, or any defects on, or failure of, or malfunction of the equipment under this sale whether based upon loss of use, lost profits or revenue, interest, lost goodwill, work stoppage, impairment of other goods, loss by reason of shutdown or non-operation, increased expenses of operation of the equipment, cost of purchase or replacement power or claims of users or customers of the user for service interruption whether or not such loss or damage is based on contract, warranty, negligence, indemnity, strict liability, or otherwise.

EDCO reserves the right to modify, alter and improve any part or parts without incurring any obligation to replace any part or parts previously sold without such modified, altered or improved part or parts.

No person is authorized to give any other warranty or to assume any additional obligation on EDCO's behalf unless made in writing and signed by an officer of EDCO.

Equipment Development Company, Inc.

* * * * *

HOW TO ORDER REPAIR PARTS

To insure product safety and reliability, always use genuine EDCO replacement parts when making repairs to the equipment.

When ordering parts, please specify the MODEL and SERIAL NUMBER of the machine as given on the NAME PLATE. In addition, give part number, description, and quantity as listed on parts list.

Please note: Due to improvements and changes in the equipment, the illustrations shown may be different than the actual machine.

EQUIPMENT DEVELOPMENT COMPANY, INC.
100 THOMAS JOHNSON DRIVE, FREDERICK, MARYLAND 21702-4305 USA
301-663-1600 TOLL FREE 1-800-638-3326 FAX 301-663-1607



A Division of Equipment Development Company, Inc.

PARTS BULLETIN

MOTOR TYPE ON 1.5 H.P. 1-PHASE ELECTRIC EQUIPMENT EFFECTIVE MARCH 2011, STARTING W/ S/N 110310069

On the following Equipment the Motor may be either Leeson Cat. No. 132189 or Baldor Spec. No. 36F57-385:

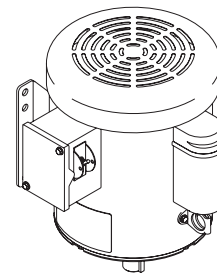
- 50100 2EC Concrete Floor Grinder
- 70500 CPM4 Scarifier/Planer

The Model Suffix for these Power Options will be 1.5L for the Leeson Motor and 1.5B for the Baldor Motor.

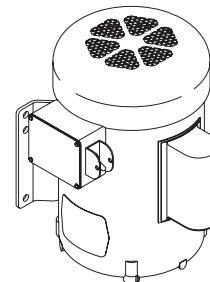
- Complete Model Numbers:
 Model # 2EC-1.5L or 2EC-1.5B
 Model # CPM4-1.5L or CPM4-1.5B

Please Note: Because the Shaft Diameters are different (see chart below), the Part Numbers for the Sheave or the Sheave Bushing mounted to the Motor will also differ. See Parts List for more information.

MOTOR SPECIFICATION CHART		
	LEESON Cat. No. 132189	BALDOR Spec. 36F57-385
Part Number	16070	76027
Horse Power	1.5	1.5
Phase	1	1
Hertz	60	60
Volts	115/230	115/230
Full Load Amps	20/10	19/9.5
RPM	1740	1725
Frame	184T	184T
Shaft	1-1/8"	7/8"
Weight	57 Lbs.	64 Lbs.



LEESON
MOTOR



BALDOR
MOTOR

See the reverse side of this page for the Wiring Diagrams for these Motors.

