

REVISED STARTING
SERIAL # 180210390



PARTS LIST MANUAL

MODEL SECNG



MAGNA-TRAP® SINGLE-DISC FLOOR GRINDERS

SKU #	MODEL #	POWER OPTION
59800	SECNG-1.5L	LEESON MOTOR 1.5HP 60Hz 1-PHASE
59900	SECNG-1.75L/50/1	LEESON MOTOR 1.75HP 50Hz 1-PHASE



EQUIPMENT DEVELOPMENT COMPANY, INC.
 100 Thomas Johnson Drive, Frederick, MD 21702-4600 USA
 Phone: 800-638-3326 or 301-663-1600 • Fax: 800-447-3326 or 301-663-1607
 Website: www.edcoinc.com • E-mail: sales@edcoinc.com

READ AND UNDERSTAND THE OPERATORS INSTRUCTION MANUAL THOROUGHLY BEFORE ATTEMPTING TO OPERATE THIS EQUIPMENT.



Death or serious injury could occur if this machine is used improperly.



SAFETY MESSAGES

- Safety Instructions are preceded by a graphic alert symbol of DANGER, WARNING, or CAUTION.



Indicates an imminent hazard which, if not avoided, will result in death or serious injury.



Indicates an imminent hazard which, if not avoided, can result in death or serious injury.



Indicates hazards which, if not avoided, could result in serious injury and or damage to the equipment.

GASOLINE/PROPANE POWERED EQUIPMENT



- Engine exhaust from this product contains chemicals known to the State of California to cause cancer, birth defects or other reproductive harm.



- Gasoline is extremely flammable and poisonous. It should only be dispensed in well ventilated areas, and with a cool engine.

- Small gasoline engines produce high concentrations of carbon monoxide (CO) example: a 5 HP 4 cycle engine operation in an enclosed 100,000 cu. ft. area with only one change of air per hour is capable of providing deadly concentrations of CO in less than fifteen minutes. Five changes of air in the same area will produce noxious fumes in less than 30 minutes. Gasoline or propane powered equipment should not be used in enclosed or partially enclosed areas. Symptoms of CO poisoning include, headache, nausea, weakness, dizziness, visual problems and loss of consciousness. If symptoms occur - get into fresh air and seek medical attention immediately.

ELECTRICAL POWERED EQUIPMENT



Extreme care must be taken when operating electric models with water present: Ensure power cord is properly grounded, is attached to a Ground-Fault-Interrupter (GFI) outlet, and is undamaged.

- Check all electrical cables - be sure connections are tight and cable is continuous and in good condition. Be sure cable is correctly rated for both the operating current and voltage of this equipment.
- Improper connection of the equipment-grounding conductor can result in a risk of electric shock. Check with qualified electrician or service person if there is any doubt as to whether the outlet is properly grounded. Adhere to all local codes and ordinances.
- **NOTE:** In the event of a malfunction or breakdown, grounding provides a path of least resistance for the electric current to dissipate. The motor is equipped with a grounded plug and must be connected to an outlet that is properly installed and properly grounded. DO NOT modify the plug provided on the motor. If the plug does not fit the outlet have a qualified electrician install the proper receptacle.
- Switch motor OFF **before** disconnecting power.

- Do not disconnect power by pulling cord. To disconnect, grasp the plug, not the cord.
- Unplug power cord at the machine when not in use and before servicing.

GENERAL INSTRUCTIONS


- Equipment should only be operated by trained personnel in good physical condition and mental health (not fatigued). The operator and maintenance personnel must be physically able to handle the bulk weight and power of this equipment.
- This is a one person tool. Maintain a safe operating distance to other personnel. It is the **operators' responsibility** to keep other people (workers, pedestrians, bystanders, etc.) away during operation. Block off the work area in all directions with roping, safety netting, etc. for a safe distance. Failure to do so may result in others being injured by flying debris or exposing them to harmful dust and noise.
- This equipment is intended for commercial use only.
- For the operator's safety and the safety of others, always keep all guards in place during operation.
- Never let equipment run unattended.



- Personal Protection Equipment and proper safety attire must be worn when operating this machinery. The operator must wear approved safety equipment appropriate for the job such as hard hat and safety shoes when conditions require. Hearing protection **MUST** be used (operational noise levels of this equipment may exceed 85db). Eye protection **MUST** be worn at all times.



Keep body parts and loose clothing away from moving parts. Failure to do so could result in dismemberment or death.

- Do not modify the machine.
 - Stop motor/engine when adjusting or servicing this equipment.
-  Maintain a safe operating distance from flammable materials. Sparks from the cutting-action of this machine can ignite flammable materials or vapors.

DUST WARNING



Some dust created by power sanding, sawing, grinding, drilling, and other construction activities contains chemicals known to cause cancer, birth defects, or other reproductive harm. Some examples of these chemicals are:

- Lead from lead-based paints, and
- Crystalline silica from bricks and concrete and other masonry products.

Your risk of exposure to these chemicals varies depending on how often you do this type of work. To reduce your risk: work in a well ventilated area, use a dust control system, such as an industrial-style vacuum, and wear approved personal safety equipment, such as a dust/particle respirator designed to filter out microscopic particles.

PARTS LIST MANUAL

MODEL SECNG

MAGNA-TRAP® SINGLE-DISC FLOOR GRINDER

TABLE OF CONTENTS

<u>Section</u>	<u>Page Number</u>
Safety Messages and General Instructions	2
How To Order Replacement Parts	3
Illustration 1: Main Grouping	4, 5
Illustration 2: Leveling System Grouping	6
Illustration 3: Water Valve & Hose Grouping	7
Illustration 4: 10" Magna-Trap® Disc Assembly	8
Illustration 5: Optional Diamond Disc Adapter	9
Illustration 6: Motor & Belt Drive Grouping	10, 11
Wiring Diagram for Switch	12
Wiring Diagram for 60Hz Motor	13
Wiring Diagram for 50Hz Motor	14
Decal Sheet	15
Blank Page	16
Notes	17
Blank Page	18
Limited Equipment Warranty of Sale - Terms & Conditions	19
STOP - Before Using This Product	20

HOW TO ORDER REPLACEMENT PARTS

- To insure product safety and reliability, always use genuine EDCO replacement parts when making repairs to the equipment.
- When calling for parts, specify the MODEL and SERIAL number of the machine, which can be found on the NAME PLATE. Keep that information in the space provided. In addition to this information, give part number, description, and quantity as listed on the parts list to your parts representative.
- Please note: Due to improvements and changes in the equipment, the illustrations shown may be different than the actual machine.

FILL IN INFORMATION BELOW

Date of Purchase _____

Model # _____

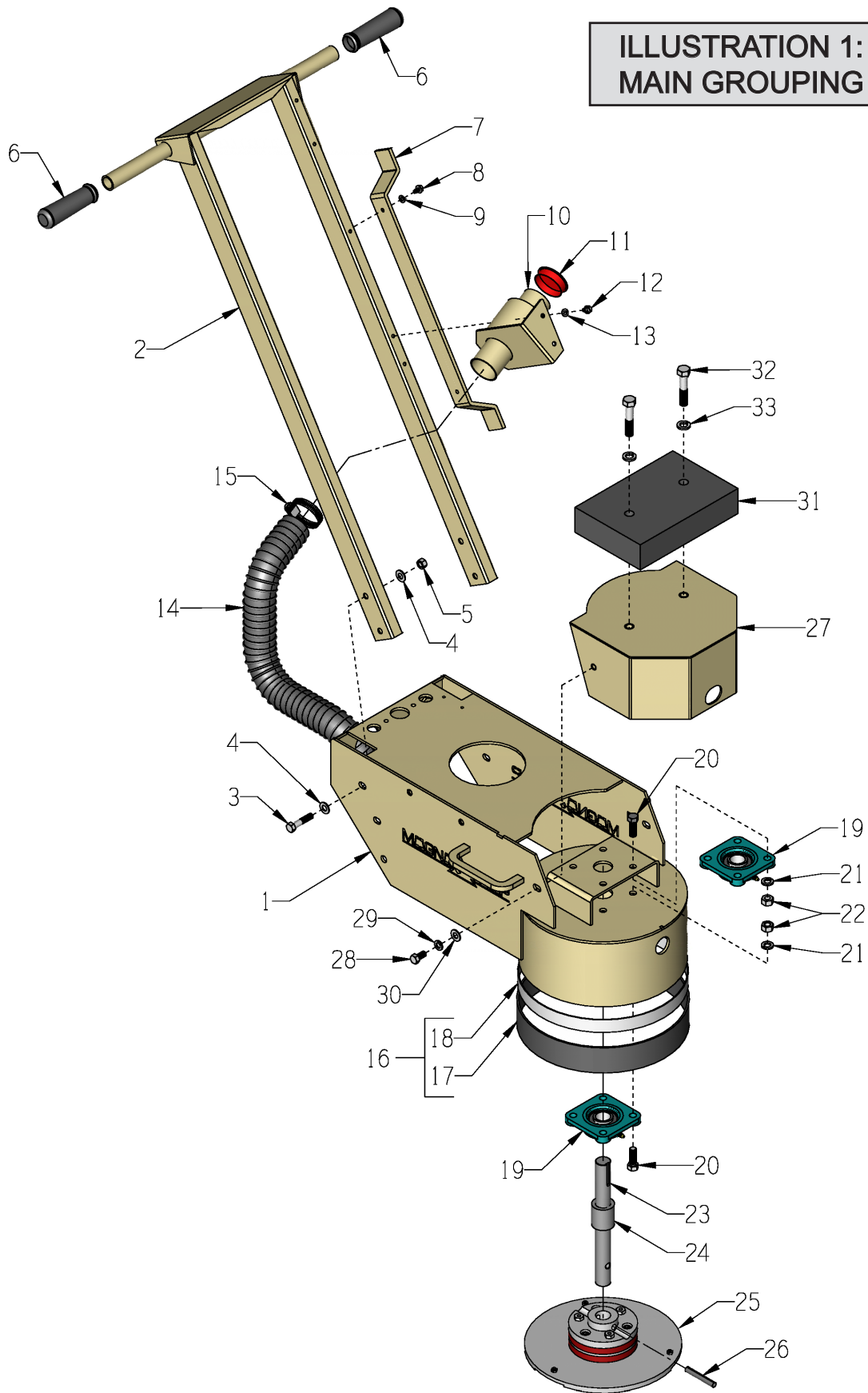
Serial # _____

SKU # _____



EQUIPMENT DEVELOPMENT COMPANY, INC.
 100 Thomas Johnson Drive, Frederick, MD 21702-4600 USA
 Phone: 800-638-3326 or 301-663-1600 • Fax: 800-447-3326 or 301-663-1607
 Website: www.edcoinc.com • E-mail: sales@edcoinc.com

**ILLUSTRATION 1:
MAIN GROUPING**



PARTS LISTING - ILLUSTRATION 1: MAIN GROUPING			
ITEM #	PART #	DESCRIPTION	QTY.
1	86901	MAIN FRAME, SEC-NG/HD	1
2	86304S	HANDLE BAR, SEC	1
3	10029	SCREW, CAP 3/8-24 X 1-3/4	4
4	10025	WASHER, FLAT 3/8 SAE ZINC	8
5	10004	NUT, HEX LOCK 3/8-24 ZINC	4
6	10608	GRIP, HAND 1" MODEL AT	2
7	86419	HOLDER, POWER CORD	1
8	10846	SCREW, CAP STSHW 1/4-20 X 1/2	2
9	10038	WASHER, LOCK 1/4 ZINC	2
10	86347	BRACKET, MULTI-VAC PORT 2-3"	1
11	65021	CAP/PLUG 2" RED PLASTIC, FLANGED	1
12	10846	SCREW, CAP STSHW 1/4-20 X 1/2	2
13	10038	WASHER, LOCK 1/4 ZINC	2
14	77113	HOSE, FLEX 2"ID X 32"L, GRINDERS	1
15	10766	CLAMP, HOSE, SAE #32, ADJ. TO 2-1/2	2
16	86426K	RUBBER SKIRT W/ VELCRO LOOP & HOOK (INCLUDES ITEMS 17 & 18 TOGETHER)	1
17	86426	RUBBER SKIRT W/ VELCRO-LOOP ONLY, 2 X 39-1/8 NOTE: CUT TO 36"	1
18	86427	VELCRO-HOOK ONLY, 1" X 39" (CUT DOWN) NOTE: THIS PIECE IS PLACED AROUND THE BOTTOM EDGE OF THE SHROUD.	1
19	77008	BEARING, BALL 1" 4-HOLE FLANGE, ND	2
20	10003	SCREW, CAP 7/16-20 X 1-1/4 ZINC	8
21	10450	WASHER, LOCK 7/16 ZINC	8
22	10481	NUT, HEX 7/16-20 ZINC	8
23	86393	SHAFT, SEC-NG/HD 1"DIA. X 9-11/16"L	1
24	86903	SPACER, HEAD, 1-5/8"L, SEC-NG/HD	1
25	86391A	10" MAGNA-TRAP DISC ASSY. W/ HUB (REFER TO ILLUS. 4 FOR BREAKDOWN)	1
26	10007	PIN, ROLL 3/8 X 2-1/2	1
27	86906	HOOD, SEC-NG/HD	1
28	10907	SCREW, CAP 3/8-16 X 3/4	2
29	10811	WASHER, LOCK 3/8 ZINC	2
30	10025	WASHER, FLAT 3/8 SAE ZINC	2
31	86345	WEIGHT BLOCK, 30 LB.	1
32	10323	SCREW, CAP 1/2-13 X 2-1/2	2
33	10045	WASHER, LOCK 1/2 ZINC	2



EQUIPMENT DEVELOPMENT COMPANY, INC.

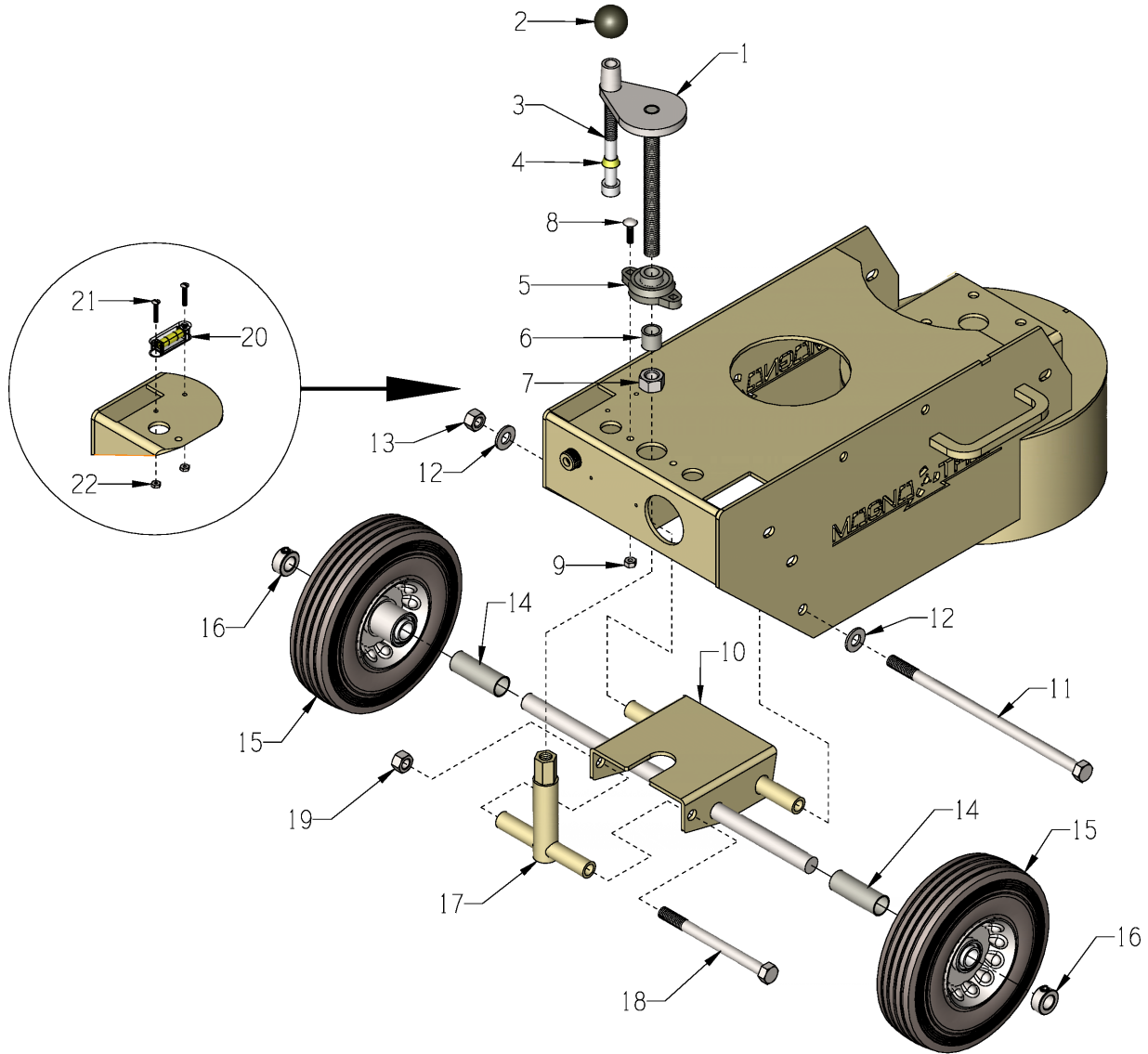
100 Thomas Johnson Drive, Frederick, MD 21702-4600 USA
 Phone: 800-638-3326 or 301-663-1600 • Fax: 800-447-3326 or 301-663-1607
 Website: www.edcoinc.com • E-mail: sales@edcoinc.com

Printed in USA

JWA ©2018

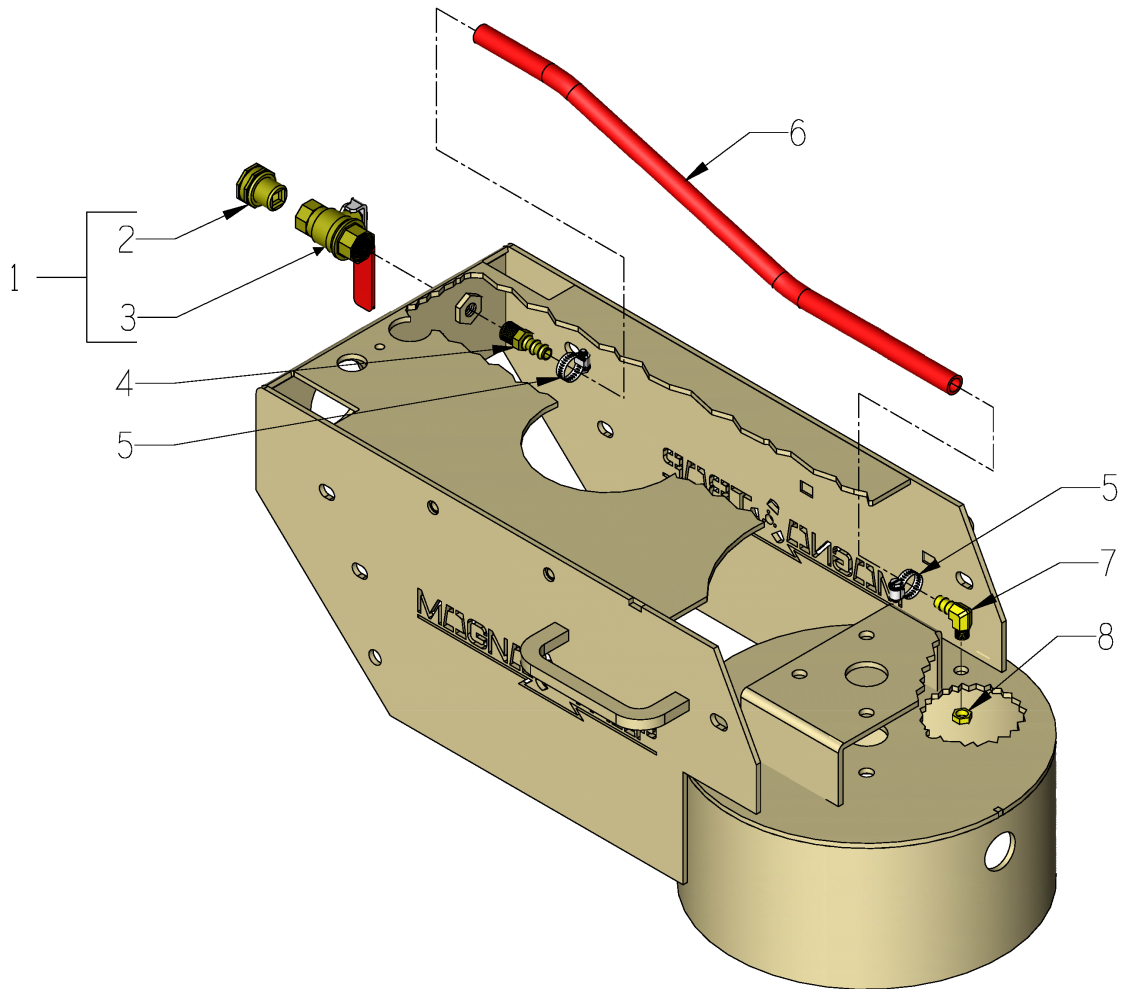
Page 5

ILLUSTRATION 2: LEVELING SYSTEM GROUPING



ITEM #	PART #	DESCRIPTION	QTY.	ITEM #	PART #	DESCRIPTION	QTY.
1	86905	KNOB, WHEEL HEIGHT CONTROL	1	12	10312	WASHER, FLAT 1/2 SAE ZINC	2
2	14023	KNOB, BALL 1-3/8 W/ 1/2-13THD,	1	13	10407	NUT, HEX LOCK 1/2-13 ZINC	1
3	10411	SCREW, SKT. HD. CAP 1/2-13 X 4	1	14	86705	SPACER 2-9/16"L, WHEEL	2
4	50550	SLEEVE, BRASS 1/2" TAPERED	1	15	79013SH	WHEEL, STL.HUB 8 X 2-1/2 X 3/4"BRG	2
5	80009	BEARING, BALL 5/8" 2-HOLE	1	16	10428	COLLAR, LOCKING 3/4"ID	2
6	55010	SPACER, HANDWHEEL 5/8"ID X3/4"L	1	17	86904	LINKAGE, FORK, SEC-NG/HD & TG-10	1
7	10046	NUT, HEX 5/8-11 ZINC	1	18	10329	SCREW, CAP 1/2-20 X 6	1
8	10412	BOLT, CARRIAGE 1/4-20 X 1	2	19	10205	NUT, HEX LOCK 1/2-20 ZINC	1
9	10861	NUT, KEPS LOCK 1/4-20 ZINC	2	20	59117	LEVEL, SCREW ON	1
10	86702	FORK, TG-10 & SEC	1	21	11871	SCREW, MACHINE FHP 8-32 X 1-1/4	2
11	10355	SCREW, CAP 1/2-13 X 11	1	22	10462	NUT, KEPS LOCK 8-32 ZINC	2

ILLUSTRATION 3: WATER VALVE & HOSE GROUPING



ITEM #	PART #	DESCRIPTION	QTY.
1	10711A	VALVE & HOSE CONNECTOR ASSY. (INCLUDES ITEMS 2 & 3)	
2	80021	CONN., SWIVEL FEM. 3/4HOSE X 1/2MPT	1
3	10711	VALVE, BALL 1/2 FPT	1
4	50075	BARB, 3/8 HOSE X 1/4MPT (BRASS)	1
5	10714	CLAMP, HOSE, SAE #4, ADJ. TO 5/8"	2
6	86424	HOSE 3/8"ID X 20"L, SEC	1
7	11562	BARB ELBOW 90, 3/8HOSE X 1/8MPT BRASS	1
8	10864	NUT 1/8-27 PIPE THREAD (BRASS)	1



EQUIPMENT DEVELOPMENT COMPANY, INC.

100 Thomas Johnson Drive, Frederick, MD 21702-4600 USA
 Phone: 800-638-3326 or 301-663-1600 • Fax: 800-447-3326 or 301-663-1607
 Website: www.edcoinc.com • E-mail: sales@edcoinc.com

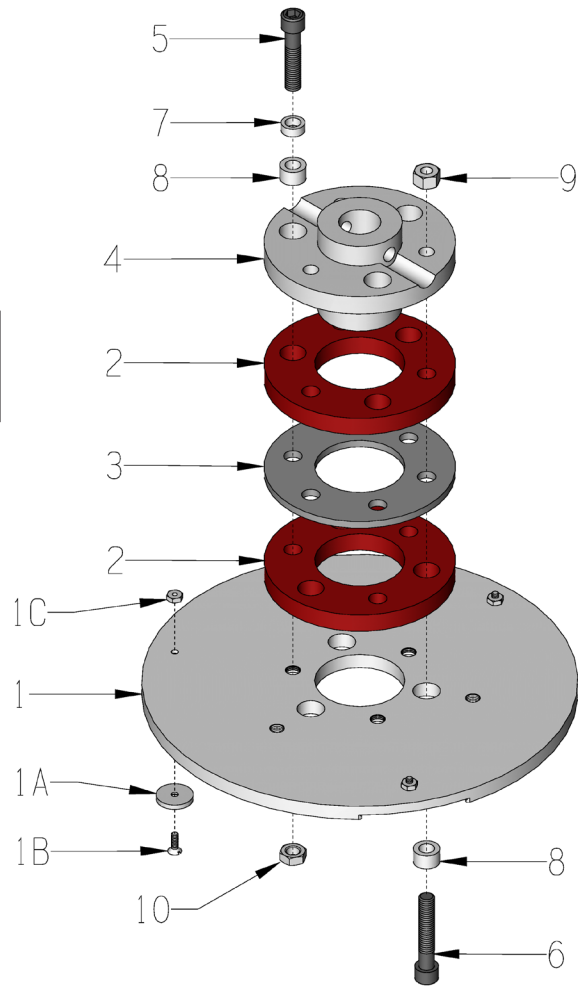
Printed in USA

JWA ©2018

Page 7

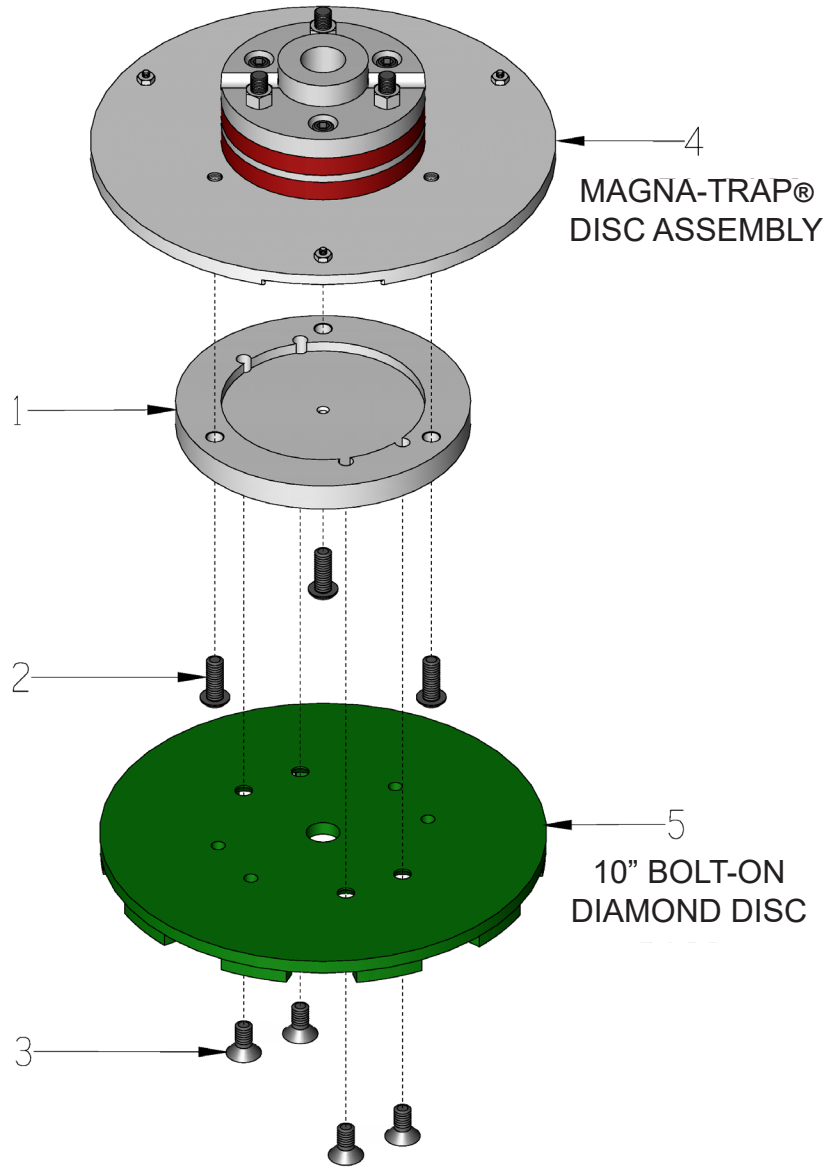
**ILLUSTRATION 4:
10" MAGNA-TRAP® DISC ASSEMBLY**

PART # 86391A



ITEM #	PART #	DESCRIPTION	QTY.
1-10	86391A	10" MAGNA-TRAP DISC ASSY. W/ HUB (INCLUDES ALL ITEMS 1 THRU 10)	1
1	86391	10" MAGNA-TRAP DISC W/ MAGNETS (INCLUDES ITEMS 1A, 1B AND 1C)	1
1A	36064	MAGNET, NEODYMIUM RING 7/8 X 1/8	3
1B	10647	SCREW, FLAT HD PHILLIPS 8-32 X 1/2	3
1C	10462	NUT, KEPS LOCK 8-32 ZINC	3
2	10112	RING, RUBBER, 4-1/2"OD X 1/2"THK	2
3	77020	RING, HUB CARRIER, 6-HOLE	1
4	77010	HUB, ALUMINUM 6-HOLE (GRINDER)	1
5	10354	SCREW, SKT. HD. CAP 3/8-24 X 1-3/4	3
6	10012	SCREW, SKT. HD. CAP 3/8-24 X 2	3
7	10113	SPACER, STEEL 9/16OD X 3/8ID X 7/32	3
8	10011	SPACER, STEEL 5/8OD X 3/8ID X 3/8T	6
9	10058	NUT, HEX LOCK 3/8-24 W/ NYLON PATCH	3
10	11725	NUT, HEX JAM 3/8-24 ZINC (USE RED LOCTITE)	3

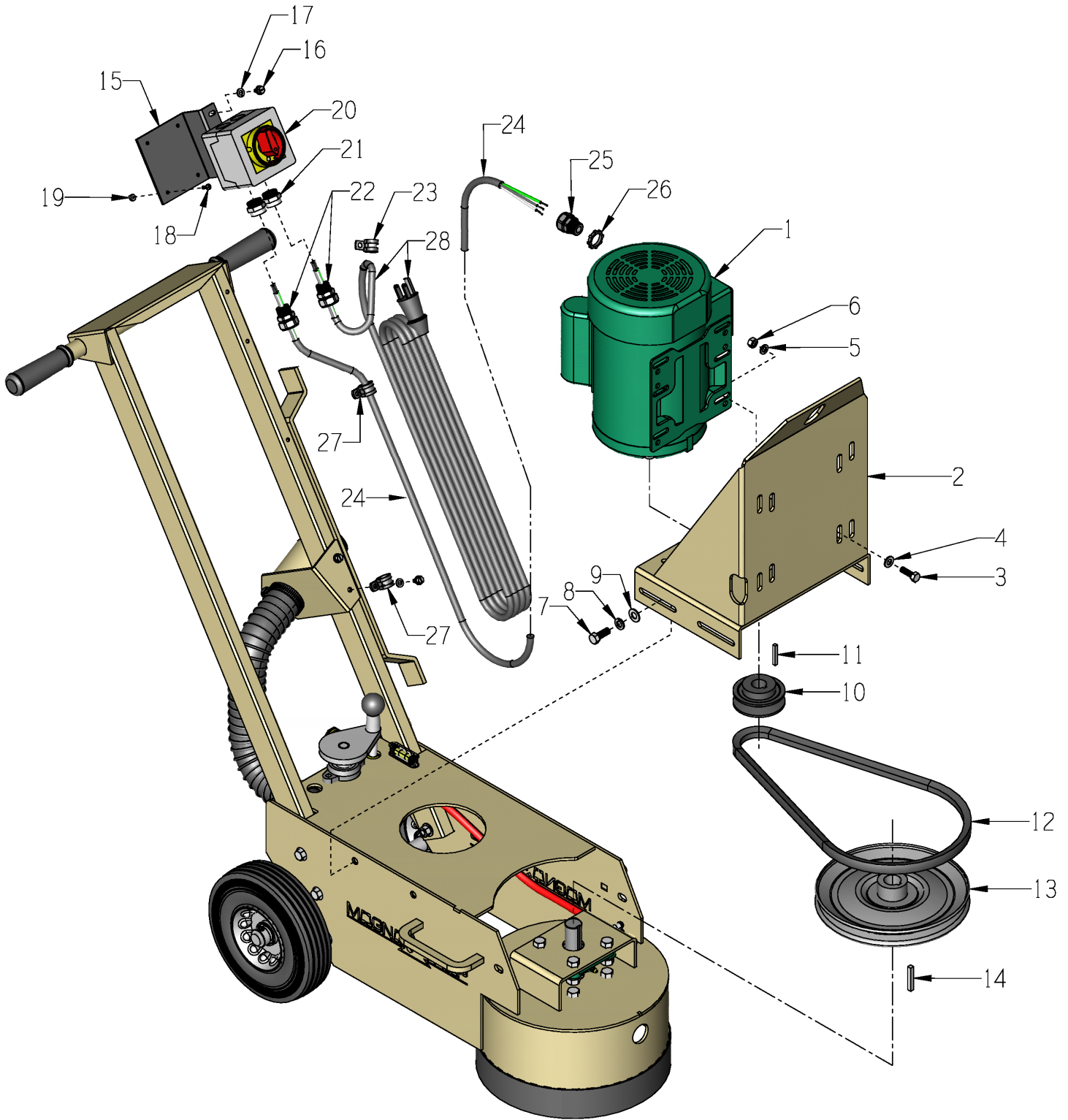
**ILLUSTRATION 5:
OPTIONAL DIAMOND DISC ADAPTER**



ITEM #	PART #	DESCRIPTION	QTY.
1	77618	ADAPTER, DIAMOND DISC (INCLUDES ITEM 2)	1
2	10855	SCREW, SKT. BUTTON HD 3/8-24 X 1	3
3	86108	SCREW, FLAT HD SKT 3/8-24 X 3/4 (NOT INCLUDED)	-
4	86391A	10" MAGNA-TRAP DISC ASSY. W/ HUB (NOT INCLUDED)	-
5	-----	DIAMOND DISC (NOT INCLUDED) REFER TO PRODUCT CATALOG FOR OPTIONS.	-



ILLUSTRATION 6: MOTOR & BELT DRIVE GROUPING



PARTS LISTING - ILLUSTRATION 6: MOTOR & BELT DRIVE GROUPING			
ITEM #	PART #	DESCRIPTION	QTY.
1	16077	MOTOR, 1.5HP-1PH-60HZ-1725RPM-115/230V-13/6.5A LEESON CAT. NO. 113769.00 WATT-SAVER <i>REPLACEMENT PARTS:</i>	1
	16178.....CAPACITOR, START, LEESON 003025.15 (500MFD 125V)	1
	16174.....CAPACITOR, RUN, LEESON 003014.02 (50MFD 240V)	1
	16179.....RESET BUTTON, LEESON 300033.02 (CED2705)	1
	16060	MOTOR, 1.75HP-1PH-50HZ-1425RPM-110/220V LEESON CAT. NO. 117051.00 RED FARM-DUTY <i>REPLACEMENT PARTS:</i>	1
	16191CAPACITOR, START, LEESON 003025.11 (650MFD 125V)	1
	16183CAPACITOR, RUN, LEESON 003014.13 (65MFD 240V)	2
	16133RESET BUTTON, LEESON 300117.04 (BRJ42DA)	1
2	86404	MOUNT, MOTOR	1
3	10806	SCREW, CAP 5/16-18 X 1	4
4	10213	WASHER, FLAT 5/16 SAE ZINC	4
5	10801	WASHER, LOCK 5/16 ZINC	4
6	10054	NUT, HEX 5/16-18 ZINC	4
7	10055	SCREW, CAP 3/8-16 X 1	4
8	10811	WASHER, LOCK 3/8 ZINC	4
9	10025	WASHER, FLAT 3/8 SAE ZINC	4
10	3613	SHEAVE 3"OD X 1GR.B X 5/8"BORE (60 Hz MOTOR)	1
	77017	SHEAVE 3"OD X 1GR.B X 7/8"BORE (50 Hz MOTOR)	1
11	-----	KEY 3/16"SQ. X 1-3/8 (INCLUDED W/ MOTOR)	1
12	10290	BELT B-35	1
13	86009	SHEAVE 9" OD X 1GR.B X 1" BORE	1
14	40317	KEY 1/4SQ X 1-5/8	1
15	77042	BRACKET, LOVATO ROTARY CAM SWITCH	1
16	10846	SCREW, CAP STSHW 1/4-20 X 1/2	2
17	10038	WASHER, LOCK 1/4 ZINC	2
18	11663	SCREW, MACHINE 8-32 X 1/2 RHCD ZINC	4
19	10462	NUT, KEPS LOCK 8-32 ZINC	4
20	77043	SWITCH, ROTARY CAM ON/OFF <i>REPLACEMENT PARTS:</i>	1
	77043-2.....SWITCH HANDLE, PADLOCKABLE, LOVATO	1
	77043-4.....GASKET RING, OPERATOR, LOVATO	1
21	77043-1	SWITCH ADAPTER, PG16 TO 1/2"NPT	2
22	40066	STRAIN RELIEF 1/2NPT X .350-.450"	2
23	11690	CLAMP, LOOM, 3/8"	1
24	77045	WIRE HARNESS 12/3 X 42"LOA	1
25	16176	STRAIN RELIEF 3/4NPT X .350-.450"	1
26	10740	CONDUIT LOCK NUT 3/4 NP (LOCATED INSIDE JUNCTION BOX)	1
27	11565	CLAMP, LOOM, 5/8" (SAE SIZE 10)	2
28	86422	CORD W/ PLUG, 25FT. POWER, STRAIGHT BLADE PLUG	1



EQUIPMENT DEVELOPMENT COMPANY, INC.

100 Thomas Johnson Drive, Frederick, MD 21702-4600 USA
 Phone: 800-638-3326 or 301-663-1600 • Fax: 800-447-3326 or 301-663-1607
 Website: www.edcoinc.com • E-mail: sales@edcoinc.com

Printed in USA

JWA ©2018

Page 11

WIRING DIAGRAM FOR 60Hz MOTOR

LEESON CAT. NO. 113769.00

USE CONNECTIONS FOR CLOCK-WISE (C.W.) ROTATION SHOWN BELOW IN CHART
 MOTOR CORD: BLACK WIRE - L1, WHITE WIRE - L2, GREEN WIRE - GROUND
 LOW VOLT (115V) STANDARD, HIGH VOLT (230V) OPTIONAL

005053-02

VIEW FROM OUTSIDE OF MOTOR AT SWITCH END.

LINE LEADS

	ROTATION FACING LEAD END	L1	L2	JOIN	INSULATE SEPARATELY
HIGH VOLT	C.C.W.	P1	T4 T5	T2, T3 T8	P2
	C.W.	P1	T4 T8	T2, T3 T5	P2
LOW VOLT	C.C.W.	P1	T2, T4 T5	P2, T3 T8	-----
	C.W.	P1	T2, T4 T8	P2, T3 T5	-----

* THIS LEAD MAY BE WHITE

		TOLERANCES UNLESS SPECIFIED		REGAL-BELOIT <i>Motor Technologies Group</i>		DRAWN ADH 06/16/76			
		DEC.	INCHES			CHK	WRK 06/30/76		
		X	±.1			APPD			
		.XX	±.01	TITLE		SCALE	1=1		
04	ADDED "*" TO T5	RLW	7/22/02			REF			
03	REDRAWN ON CAD	DBT	05/27/97			FMF	6K17FB8A		
NO.	REVISION	BY & DATE	CHK	ANG	±1/2'	FINISH	PREV		
THIS DRAWING IN DESIGN AND DETAIL IS OUR PROPERTY AND MUST NOT BE USED EXCEPT IN CONNECTION WITH OUR WORK ALL RIGHTS OF DESIGN AND INVENTION ARE RESERVED THIS IS AN ELECTRONICALLY GENERATED DOCUMENT - DO NOT SCALE THIS PRINT				RFP	CAD FILE	00505302	SIZE	DRAWING NO.	REV.
				DIST			A	005053-02	04

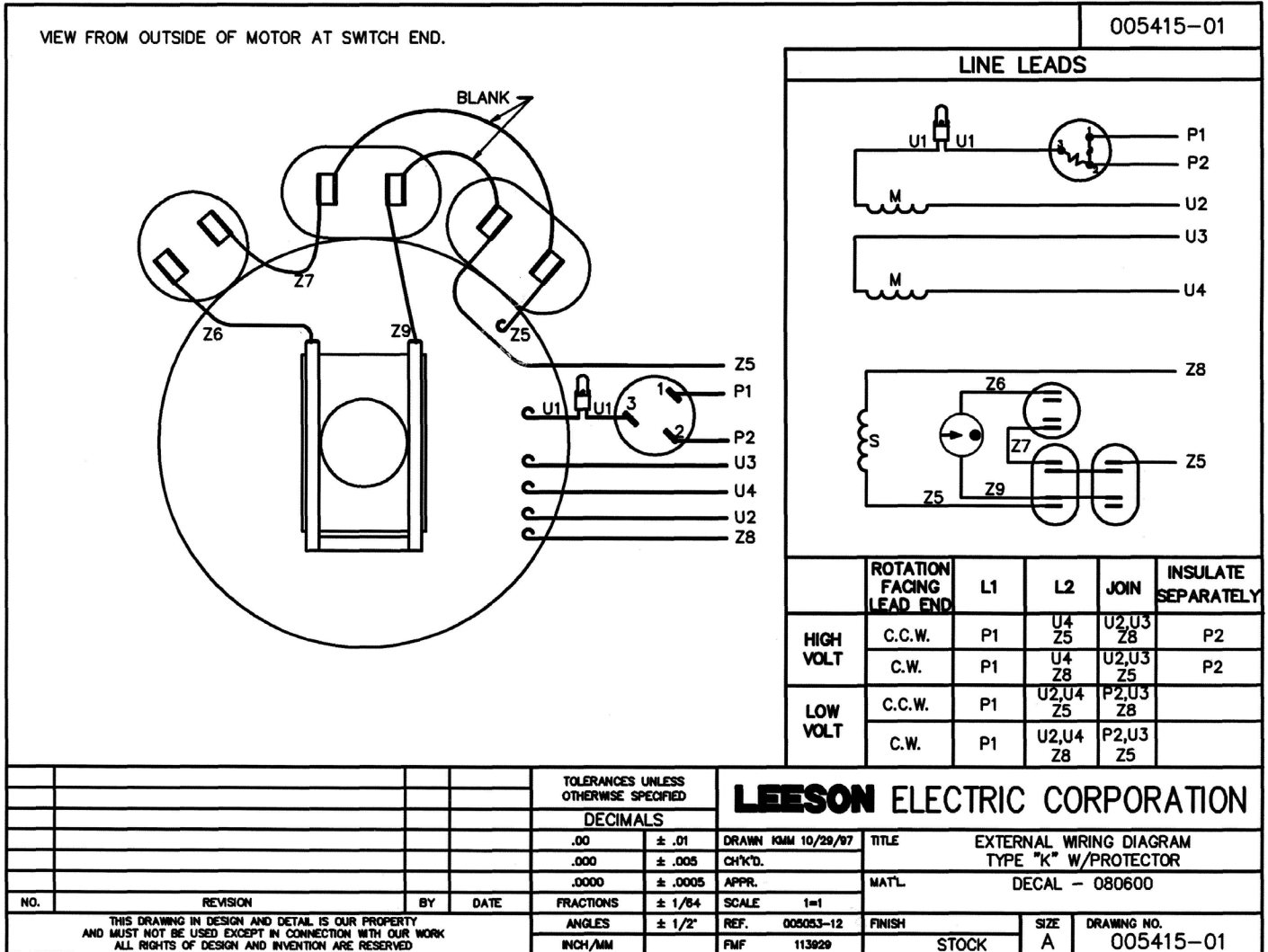


EQUIPMENT DEVELOPMENT COMPANY, INC.
 100 Thomas Johnson Drive, Frederick, MD 21702-4600 USA
 Phone: 800-638-3326 or 301-663-1600 • Fax: 800-447-3326 or 301-663-1607
 Website: www.edcoinc.com • E-mail: sales@edcoinc.com

WIRING DIAGRAM FOR 50Hz MOTOR

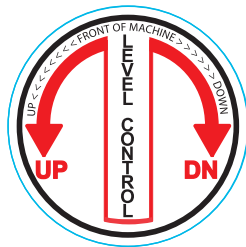
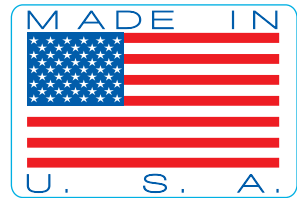
LEESON CAT. NO. 117051.00

USE CONNECTIONS FOR CLOCK-WISE (C.W.) ROTATION SHOWN BELOW IN CHART
 MOTOR CORD: BLACK WIRE - L1, WHITE WIRE - L2, GREEN WIRE - GROUND
 LOW VOLT (110V) STANDARD, HIGH VOLT (220V) OPTIONAL



DECAL SHEET

P/N 92211 Rev.D SEC & SEC-NG 14 x 17



SWITCH & MOTOR



EQUIPMENT DEVELOPMENT COMPANY, INC. 100 Thomas Johnson Drive, Frederick, MD 21702-4600 USA Phone: 800-638-3326 or 301-663-1600 • Fax: 800-447-3326 or 301-663-1607 Website: www.edcoinc.com • E-mail: sales@edcoinc.com

THIS PAGE LEFT BLANK INTENTIONALLY



THIS PAGE LEFT BLANK INTENTIONALLY



LIMITED EQUIPMENT WARRANTY OF SALE - TERMS & CONDITIONS

Equipment Development Company, Inc. herein referred to as EDCO (Seller) warrants that each new unit manufactured by EDCO to be free from defects in material and workmanship in normal use and service for a period of (1) one year (except for the cutter drum assembly on all model concrete/asphalt planes, in which case the warranty period shall be 90 days) from date of shipment to the original retail or equipment rental center owner.

Accessories or equipment furnished and installed on the product by EDCO but manufactured by others, including, but not limited to engines, motors, electrical components, transmissions etc., shall carry the accessory manufacturers own warranty.

EDCO will, at its option, repair or replace, at the EDCO factory or at a point designated by EDCO, any part which shall appear to the satisfaction of EDCO inspection to have been defective in material or workmanship.

EDCO reserves the right to modify, alter and improve any part or parts without incurring any obligation to replace any part or parts previously sold without such modified, altered or improved part or parts.

This warranty is in lieu of and excludes all other warranties, expressed, implied, statutory, or otherwise created under applicable law including, but not limited to the warranty of merchantability and the warranty of fitness for a particular purpose in no event shall seller or the manufacturer of the product be liable for special, incidental, or consequential damages, including loss of profits, whether or not caused by or resulting from the negligence of seller and/or the manufacturer of the product unless specifically provided herein. In addition, this warranty shall not apply to any products or portions thereof which have been subjected to abuse, misuse, improper installation, maintenance, or operation, electrical failure or abnormal conditions and to products which have been tampered with, altered, modified, repaired, reworked by anyone not approved by seller or used in any manner inconsistent with the provisions of the above or any instructions or specifications provided with or for the product.

FORCE MAJEURE

Seller's obligation hereunder are subject to, and Seller shall not be held responsible for, any delay or failure to make delivery of all or any part of the Product due to labor difficulties, fires, casualties, accidents, acts of the elements, acts of God, transportation difficulties, delays by a common carrier, inability to obtain Product, materials or components or qualified labor sufficient to timely perform part of or all of the obligations contained in these terms and conditions, governmental regulations or actions, strikes, damage to or destruction in whole or part of manufacturing plant, riots, terrorist attacks or incidents, civil commotions, warlike conditions, flood, tidal waves, typhoon, hurricane, earthquake, lightning, explosion or any other causes, contingencies or circumstances within or without the United States not subject to the Seller's control which prevent or hinder the manufacture or delivery of the Products or make the fulfillment of these terms and conditions impracticable. In the event of the occurrence of any of the foregoing, at the option of Seller, Seller shall be excused from the performance under these Terms and Conditions, or the performance of the Seller shall be correspondingly extended.

This document sets forth the terms and conditions pursuant to which the purchaser ("Purchaser") will purchase and Equipment Development Co. Inc. ("Seller") will sell the products, accessories, attachments (collectively the Products) ordered by the Purchaser. These terms and conditions shall govern and apply to the sale of Seller's Products to Purchaser, regardless of any terms and conditions appearing on any purchase order or other forms submitted by Purchaser to Seller, or the inconsistency of any terms therein and herein.

1. PRICE

All prices set forth on any purchase order or other document are F.O.B. Sellers facility or distribution point, as may be determined by Seller (F.O.B. Point). All prices are exclusive of any and all taxes, including, but not limited to, excise, sales, use, property or transportation taxes related to the sale or use of the Products, now or hereafter imposed, together with all penalties and expenses. Purchaser shall be responsible for collecting and/or paying any and all such taxes, whether or not they are stated in any invoice for the Products. Unless otherwise specified herein, all prices are exclusive of inland transportation, freight, insurance and other costs and expenses relating to the shipment of the Products from the F.O.B. point to Purchaser's facility. Any prepayment by Seller of freight insurance and other costs shall be for the account of Purchaser and shall be repaid to Seller.

2. PAYMENT TERMS

Payment terms are as follows. 2% 10 days (to approved and qualified accounts). Net 30 days. This is a cash discount for invoices paid within 10 days after the invoice date, regardless of date of receipt of shipment. This is not a trade discount and will not be granted to accounts that do not adhere to stated terms.

*All past due accounts are subject to a late payment fee of 1.5% per month or a maximum allowed by law if different, along with the expenses incidental to collection including reasonable attorney's fees and costs.

*Seller reserves the right to hold shipments against past due accounts.

*Seller reserves the right to alter payment terms.

3. FREIGHT TERMS

All shipments will be made F.O.B. shipping point as designated in these Terms and Conditions, and title shall pass at the F.O.B. point. Delivery to the initial common carrier shall constitute delivery to the Purchaser. Any claims for loss or damage during shipment are to be filed with carrier by the Purchaser. Seller will not assume responsibility for the performance of the carrier.

Back orders will be shipped in the most practical fashion with charges consistent with our freight policy established with the original order. UPS, FED EX, MAIL or shipments by other couriers are subject to the same terms and conditions as outlined in paragraph #3 "Freight Terms".

4. DELIVERY, DAMAGES, SHORTAGES

Seller shall use reasonable efforts to attempt to cause the Products to be delivered as provided for in these Terms & Conditions. Delivery to the initial common carrier shall constitute the delivery to the Purchaser. Seller's responsibility, in so far as transportation risks are concerned ceases upon the delivery of the Products in good condition to such carrier at the F.O.B. point and all the Products shall be shipped at the Purchaser's risk. Seller shall not be responsible or liable for any loss of income and/or profits, or incidental, special, consequential damages resulting from Seller's delayed performance in shipment and delivery.

5. RETURN OF DEFECTIVE PRODUCTS

Defective or failed material shall be held at the Purchaser's premises until authorization has been granted by Seller to return or dispose of Products. Products that are to be returned for final inspection must be returned Freight Prepaid in the most economical way. Credit will be issued for material found to be defective upon Seller's inspection based on prices at time of purchase.

6. PRODUCTS ORDERED IN ERROR

Products may be returned, provided that claim is made and Seller is notified within 7 days of receipt of Products, and the Products are in original buyer's possession not more than 30 days prior to return, subject to Seller's approval. If Products are accepted for return, they must be Freight Prepaid and buyer will be charged a minimum of 15% restocking charge, plus a charge back for outbound freight charges if the original order was shipped prepaid. Returns are not accepted for any Products that are specifically manufactured to meet the buyer's requirement of either specifications or quantity.

AGREEMENTS

These Terms and Conditions constitute the entire agreement between Seller and Purchaser as it relates to terms and conditions of sale, and supersedes any and all prior oral or written agreements, correspondence, quotations or understandings heretofore in force between the parties relating to the subject matter hereof. There are no agreements between Seller and Purchaser with respect to the Product herein except those specifically set forth in and made part of these terms and conditions. Any additional terms, conditions and/or prices are rejected by Seller.

These terms and conditions may be modified, cancelled or rescinded only by a written agreement of both parties executed by their duly authorized agents.

USE ONLY GENUINE EDCO PARTS & ACCESSORIES
For your own safety, the safety of others and the life of your machine.

Equipment Development Company, Inc.



EQUIPMENT DEVELOPMENT COMPANY, INC.
 100 Thomas Johnson Drive, Frederick, MD 21702-4600 USA
 Phone: 800-638-3326 or 301-663-1600 • Fax: 800-447-3326 or 301-663-1607
 Website: www.edcoinc.com • E-mail: sales@edcoinc.com

Printed in USA

JWA ©2018

Page 19



BEFORE USING THIS PRODUCT

Have You Used EDCO's Online Customer Support??



Scan This QRC or Visit
www.edcoinc.com/customer-support



READ: **EDCO Owner's Manuals and Parts Listings** share basic information and parts of each product. Download and print them whenever needed.



WATCH: **EDCO Product Training Videos** show how to use products, install tooling, and perform basic maintenance.



Example Only

FIND: Somewhere on this product is an **EDCO QRC Training Decal**. Scanning this code provides owner's information, videos, and other training content anywhere/anytime on your mobile device.



CONCRETE KNOWLEDGE

JOIN: **EDCOed.com** is a free, 24-hour training space. Each certification track focuses on a specific EDCO product group. The information in these tracks help businesses be successful with those products.

EDCO is always updating online training / information so you always have the most recent content.

Also see Operator's Safety & Limited Warranty Manual

Equipment Development Co., Inc. • 800.638.3326 • techsupport@edcoinc.com