

REVISED STARTING  
SERIAL # 110910092

## PARTS LIST MANUAL MODEL HSS14



SHOWN WITH OPTIONAL PROCART

### 14" HARDSCAPE SAWS

SKU #	MODEL #	POWER OPTION
24800	HSS14-5.5H	HONDA ENGINE GX160U1-QXC9 W/ CYCLONE AIR CLEANER
25800	HSS14-6.5H	HONDA ENGINE GX200U-QXC9 W/ CYCLONE AIR CLEANER
26200	HSS14-1.5B	BALDOR MOTOR 1.5 HP -1PH-60Hz-115/230-14/7FLA



A Division of Equipment Development Company, Inc.

100 Thomas Johnson Drive, Frederick, MD 21702-4600 USA  
Phone (301) 663-1600 • 1-800-638-3326  
Fax (301) 663-1607 • 1-800-447-3326  
Website: [www.edcoinc.com](http://www.edcoinc.com)  
Email: [sales@edcoinc.com](mailto:sales@edcoinc.com)

Printed in USA

©2011

## READ AND UNDERSTAND THE OPERATORS INSTRUCTION MANUAL *THOROUGHLY* BEFORE ATTEMPTING TO OPERATE THIS EQUIPMENT.



**Death or serious injury could occur if this machine is used improperly.**



### SAFETY MESSAGES

- Safety Instructions are preceded by a graphic alert symbol of DANGER, WARNING, or CAUTION.



Indicates an imminent hazard which, if not avoided, will result in death or serious injury.



Indicates an imminent hazard which, if not avoided, can result in death or serious injury.



Indicates hazards which, if not avoided, could result in serious injury and or damage to the equipment.

### GASOLINE/PROPANE POWERED EQUIPMENT



• Engine exhaust from this product contains chemicals known to the State of California to cause cancer, birth defects or other reproductive harm.



• Gasoline is extremely flammable and poisonous. It should only be dispensed in well ventilated areas, and with a cool engine.

- Small gasoline engines produce high concentrations of carbon monoxide (CO) example: a 5 HP 4 cycle engine operation in an enclosed 100,000 cu. ft. area with only one change of air per hour is capable of providing deadly concentrations of CO in less than fifteen minutes. Five changes of air in the same area will produce noxious fumes in less than 30 minutes. Gasoline or propane powered equipment should not be used in enclosed or partially enclosed areas. Symptoms of CO poisoning include, headache, nausea, weakness, dizziness, visual problems and loss of consciousness. If symptoms occur - get into fresh air and seek medical attention immediately.

### ELECTRICAL POWERED EQUIPMENT



Extreme care must be taken when operating electric models with water present: Ensure power cord is properly grounded, is attached to a Ground-Fault-Interrupter (GFI) outlet, and is undamaged.

- Check all electrical cables - be sure connections are tight and cable is continuous and in good condition. Be sure cable is correctly rated for both the operating current and voltage of this equipment.
- Improper connection of the equipment-grounding conductor can result in a risk of electric shock. Check with qualified electrician or service person if there is any doubt as to whether the outlet is properly grounded. Adhere to **all** local codes and ordinances.
- **NOTE:** In the event of a malfunction or breakdown, grounding provides a path of least resistance for the electric current to dissipate. The motor is equipped with a grounded plug and must be connected to an outlet that is properly installed and properly grounded. **DO NOT** modify the plug provided on the motor. If the plug does not fit the outlet have a qualified electrician install the proper receptacle.
- Switch motor OFF **before** disconnecting power.

- Do not disconnect power by pulling cord. To disconnect, grasp the plug, not the cord.
- Unplug power cord at the machine when not in use and before servicing.

### GENERAL INSTRUCTIONS

- Equipment should only be operated by trained personnel in good physical condition and mental health (not fatigued). The operator and maintenance personnel must be physically able to handle the bulk weight and power of this equipment.
- This is a one person tool. Maintain a safe operating distance to other personnel. It is the **operators' responsibility** to keep other people (workers, pedestrians, bystanders, etc.) away during operation. Block off the work area in all directions with roping, safety netting, etc. for a safe distance. Failure to do so may result in others being injured by flying debris or exposing them to harmful dust and noise.
- This equipment is intended for commercial use only.
- For the operator's safety and the safety of others, always keep all guards in place during operation.
- Never let equipment run unattended.



- Personal Protection Equipment and proper safety attire must be worn when operating this machinery. The operator must wear approved safety equipment appropriate for the job such as hard hat and safety shoes when conditions require. Hearing protection **MUST** be used (operational noise levels of this equipment may exceed 85db). Eye protection **MUST** be worn at all times.



Keep body parts and loose clothing away from moving parts. Failure to do so could result in dismemberment or death.

- Do not modify the machine.
- Stop motor/engine when adjusting or servicing this equipment. Maintain a safe operating distance from flammable materials. Sparks from the cutting-action of this machine can ignite flammable materials or vapors.



### DUST WARNING



Some dust created by power sanding, sawing, grinding, drilling, and other construction activities contains chemicals known to cause cancer, birth defects, or other reproductive harm. Some examples of these chemicals are:

- Lead from lead-based paints, and
  - Crystalline silica from bricks and concrete and other masonry products.
- Your risk of exposure to these chemicals varies depending on how often you do this type of work. To reduce your risk: work in a well ventilated area, use a dust control system, such as an industrial-style vacuum, and wear approved personal safety equipment, such as a dust/particle respirator designed to filter out microscopic particles.

# PARTS LIST MANUAL

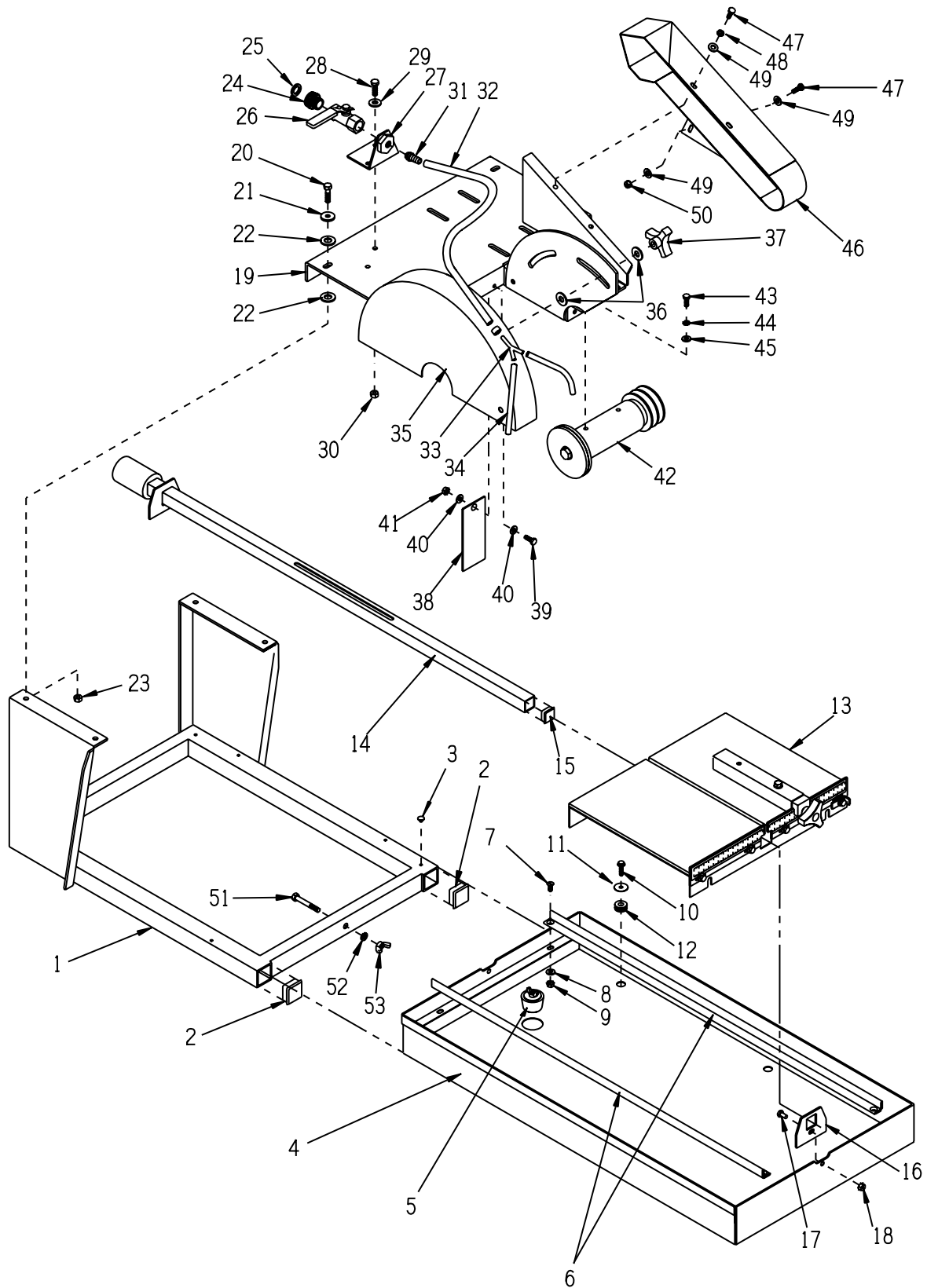
## MODEL HSS14 14" HARDSCAPE SAW

<u>Section</u>	<u>Page Number</u>
Safety Messages and General Instructions . . . . .	2
How To Order Replacement Parts . . . . .	3
Illustration 1: Main Grouping . . . . .	4,5
Illustration 2: Rolling Table Assembly . . . . .	6
Illustration 3: Arbor Assembly . . . . .	7
Illustration 4: Engine Grouping . . . . .	8
Illustration 5: Motor Grouping . . . . .	9
Illustration 6: Optional ProCart . . . . .	10
Illustration 7: Optional Folding Stand . . . . .	11
Illustration 8: Optional Drain Assembly . . . . .	12
Illustration 9: Optional 115V Water Pump Assembly . . . . .	13
Wiring Diagram for Baldor Motor . . . . .	14
Notes . . . . .	15
Limited Equipment Warranty of Sale . . . . .	Back Page

<p><b>HOW TO ORDER REPLACEMENT PARTS</b></p> <ul style="list-style-type: none"> <li><input type="checkbox"/> To insure product safety and reliability, always use genuine EDCO replacement parts when making repairs to the equipment.</li> <li><input type="checkbox"/> When calling for parts, specify the MODEL and SERIAL number of the machine, which can be found on the NAME PLATE. Keep that information in the space provided. In addition to this information, give part number, description, and quantity as listed on the parts list to your parts representative.</li> <li><input type="checkbox"/> Please note: Due to improvements and changes in the equipment, the illustrations shown may be different than the actual machine.</li> </ul>	<p><b>FILL IN INFORMATION BELOW</b></p> <p>Date of Purchase _____</p> <p>Model # _____</p> <p>Serial # _____</p> <p>SKU # _____</p>
--	---



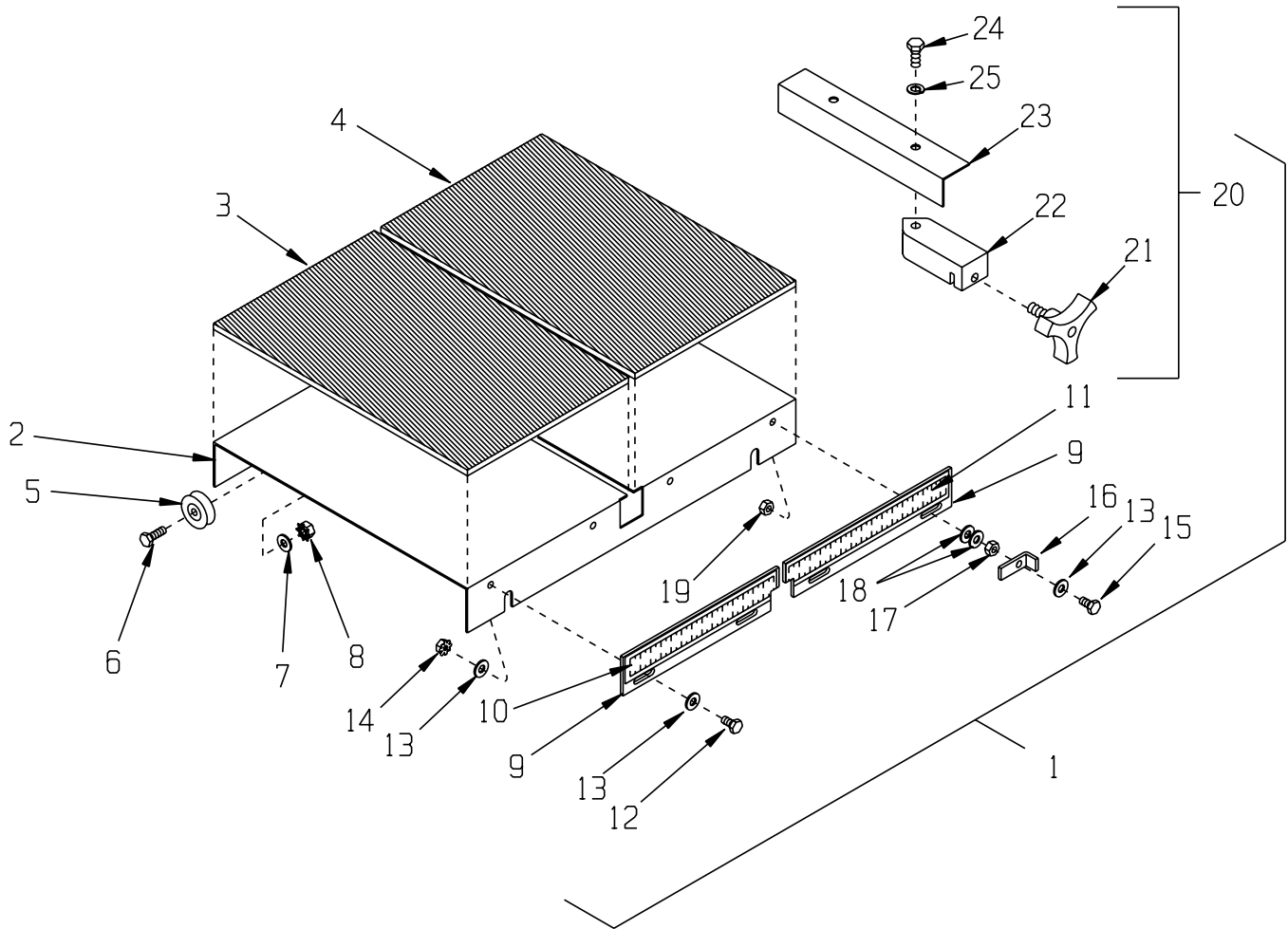
### ILLUSTRATION 1 : MAIN GROUPING



### PARTS LISTING - ILLUSTRATION 1: MAIN GROUPING

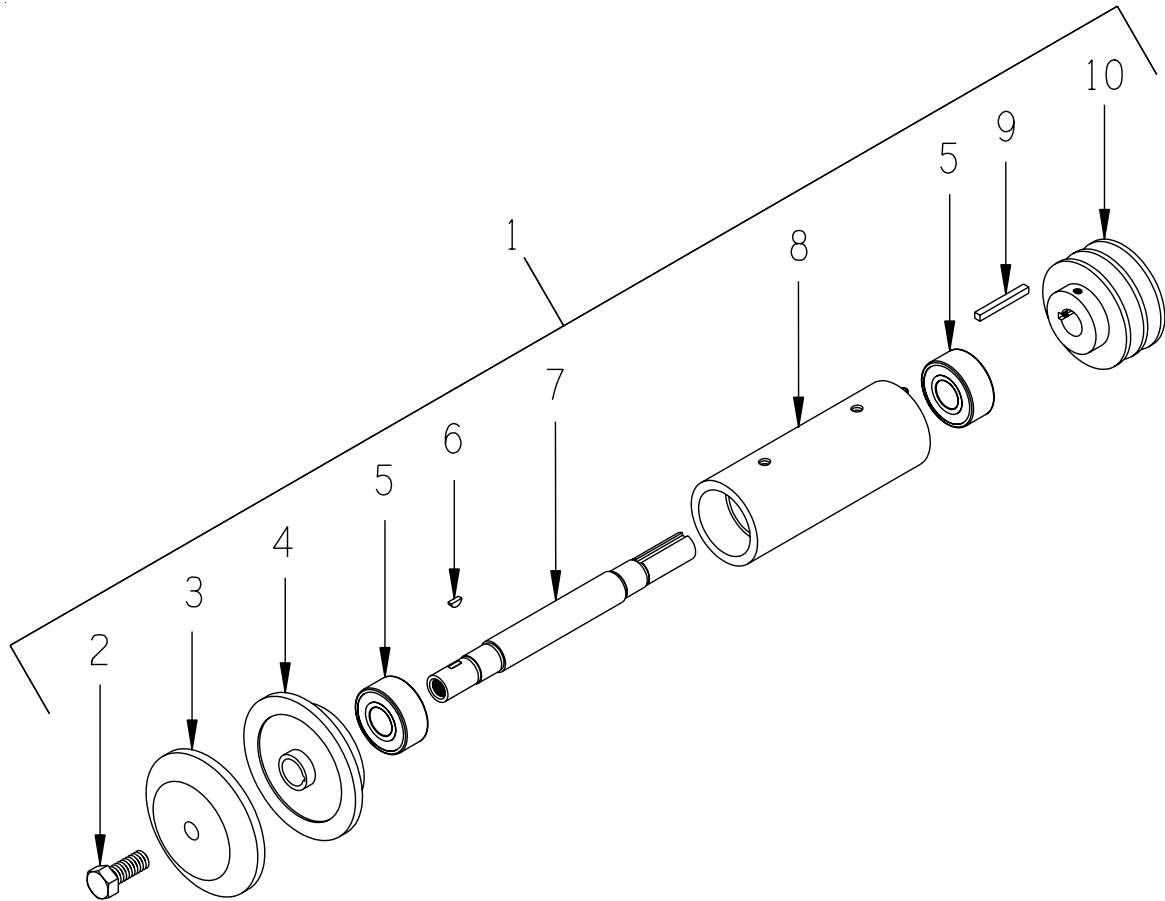
ITEM #	PART #	DESCRIPTION	QTY.	ITEM #	PART #	DESCRIPTION	QTY.
1	42301	MAIN FRAME	1	27	42310	BRACKET, WATER VALVE, HSS-14	1
2	42148	PLUG, SQ. TUBE 1-1/2 X 11 GA., BLK	2	28	10053	SCREW, CAP 5/16-18 X 3/4	2
3	42127	RIVET, NYLON PUSH-IN PANEL	4	29	10213	WASHER, FLAT 5/16 SAE	2
4	42303	PAN, HSS-14	1	30	10807	NUT, LOCK 5/16-18	2
5	40378	STOPPER ASSEMBLY 1-1/2"	1	31	42312	BARB, 5/16HOSE X 1/4MPT	1
6	42304	TRACK RAIL 36-3/4"L, HSS-14	2	32	42313	HOSE 1/4"ID X 24"L, HSS-14	1
7	11540	SCREW, FLAT HD SLT 1/4-20 X 5/8	4	33	99323	BARBED FITTING, "Y" 1/4"HOSE	1
8	10602	WASHER, FLAT 1/4 SAE	4	34	42314	HOSE 1/4"ID X 6"L, HSS-14	2
9	10861	NUT, KEPS 1/4-20	4	35	42305	GUARD, BLADE 14", HSS-14	1
10	42308	SCREW, SDHW 1/4 X 1 S.S.	4	36	10025	WASHER, FLAT 3/8 SAE	4
11	42309	WASHER, FENDER 1/4 X 1"OD (S.S.)	4	37	80011	KNOB, 3-PRONG W/ 3/8-16 THD.	2
12	57148	GROMMET 3/8ID X 1/8GRV. X 5/8GD	4	38	40012	FLAP, SPLASH 2-1/2 X 7	1
13	42315	TABLE COMPLETE, ROLLING, HSS-14 (REFER TO ILLUS. 2 FOR BREAKDOWN)	1	39	10018	SCREW, CAP 1/4-20 X 3/4	1
14	42307	VACUUM PORT TUBE, HSS-14	1	40	10602	WASHER, FLAT 1/4 SAE	2
15	51078	PLUG, SQ. TUBE 1 X 14 GA., BLACK	1	41	10861	NUT, KEPS 1/4-20	1
16	42229	MOUNTING BRKT., VACUUM PORT TUBE	1	42	-----	ARBOR ASSY. W/ SHEAVE, 14" SAWS (REFER TO ILLUS. 3 FOR BREAKDOWN)	1
17	10834	SCREW, CAP 1/4-20 X 1/2	2	43	10048	SCREW, CAP 5/16-24 X 3/4	4
18	10861	NUT, KEPS 1/4-20	2	44	10801	WASHER, LOCK 5/16	4
19	42302	DECK, ENGINE & ARBOR, HSS-14	1	45	10213	WASHER, FLAT 5/16 SAE	4
20	10021	SCREW, CAP 3/8-24 X 1	4	46	42306	COVER, BELT, HSS-14	1
21	10025	WASHER, FLAT 3/8 SAE	4	47	10018	SCREW, CAP 1/4-20 X 3/4	3
22	10312	WASHER, FLAT 1/2 SAE (USED AS A SHIM WHEN REQ'D. - QTY. 2)	4	48	10038	WASHER, LOCK 1/4	2
23	10004	NUT, LOCK 3/8-24	4	49	10602	WASHER, FLAT 1/4 SAE	4
24	80021	CONN., SWIVEL FEM. 3/4HOSE X 1/2MPT (INCLUDES ITEM 25 - HOSE WASHER)	1	50	10861	NUT, KEPS 1/4-20	1
25	10070	WASHER, HOSE 3/4	1	51	10341	SCREW, CAP 5/16-18 X 2-1/4	1
26	10711	VALVE, BALL 1/2 FPT	1	52	10801	WASHER, LOCK 5/16	1
				53	10902	NUT, WING 5/16-18	1

**ILLUSTRATION 2: ROLLING TABLE ASSEMBLY**



ITEM #	PART #	DESCRIPTION	QTY.	ITEM #	PART #	DESCRIPTION	QTY.
1	42315	TABLE COMPLETE, ROLLING, HSS-14 (INCLUDES ITEMS 2 THRU 25)	1	13	10602	WASHER, FLAT 1/4 SAE	7
2	42226	TABLE, ROLLING, GMS-10 & HSS-14	1	14	10861	NUT, KEPS 1/4-20	3
3	42222	RUBBER PAD 12 X 7-1/2 X 3/16	1	15	10031	SCREW, CAP 1/4-20 X 1	1
4	42221	RUBBER PAD 12 X 8 X 3/16	1	16	42106	LATCH, ROLLING TABLE	1
5	14082	PULLEY BEARING 1-1/4DIA. X 1/4BORE (A.K.A. TRACK WHEEL)	4	17	10013	NUT 1/4-20	1
6	10031	SCREW, CAP 1/4-20 X 1	4	18	11704	WASHER, FLAT .257 X .624 X .060THK	2
7	10602	WASHER, FLAT 1/4 SAE	4	19	10015	NUT, LOCK 1/4-20	1
8	10861	NUT, KEPS 1/4-20	4	20	40689A	GUIDE ASSY., CUT, UNIVERSAL (INCLUDES ITEMS 21 THRU 25)	1
9	42311	TABLE FRONT PANEL, HSS-14 (2 PCS.)	1	21	40425	KNOB, 3-PRONG W/ 3/8-16 X 5/8 STUD	1
10	40423	RULE, ADHESIVE-BACKED, 1-13, R-L	1	22	42015	BLOCK, CUT GUIDE, MASONRY SAW	1
11	40424	RULE, ADHESIVE-BACKED, 1-7, L-R	1	23	40689	BRACKET, CUT GUIDE, UNIVERSAL	1
12	10018	SCREW, CAP 1/4-20 X 3/4	3	24	10053	SCREW, CAP 5/16-18 X 3/4	1
				25	10801	WASHER, LOCK 5/16	1

### ILLUSTRATION 3: ARBOR ASSEMBLY



ITEM #	PART #	DESCRIPTION	QTY.
1*	40056A	ARBOR ASSY. W/ 2.75" 2GR.3V SHEAVE	1
	40056	ARBOR ASSY. W/ 3" 2GR.A SHEAVE	1
2	10321	SCREW, CAP 1/2-20 X 1-1/4	1
3	40023	ARBOR BLADE CAP 4", MASONRY SAW	1
4	40022	ARBOR BACKING PLATE 4", MASONRY SAW	1
5	40018	BEARING, RADIAL BALL 20X47X20.6MM	2
6	40036	KEY, WOODRUFF 1/8 X 3/8 (#403)	1
7	40021	ARBOR SHAFT 8-7/8"L GMS/MS/HSS-14	1
8	40020	ARBOR HOUSING, MS/GMS-14 & HSS-14	1
9	10170	KEY 3/16SQ X 1-3/4	1
10*	40694	SHEAVE 2.75"OD X 2GR.3V X 3/4"BORE	1
	40005	SHEAVE 3"OD X 2GR.A X 3/4"BORE	1
<p>*NOTE: STARTING SERIAL # 110910092 USE PART # 40056A &amp; 40694            PRIOR TO SERIAL # 110910092 USE PART # 40056 &amp; 40005</p>			



A Division of Equipment Development Company, Inc.

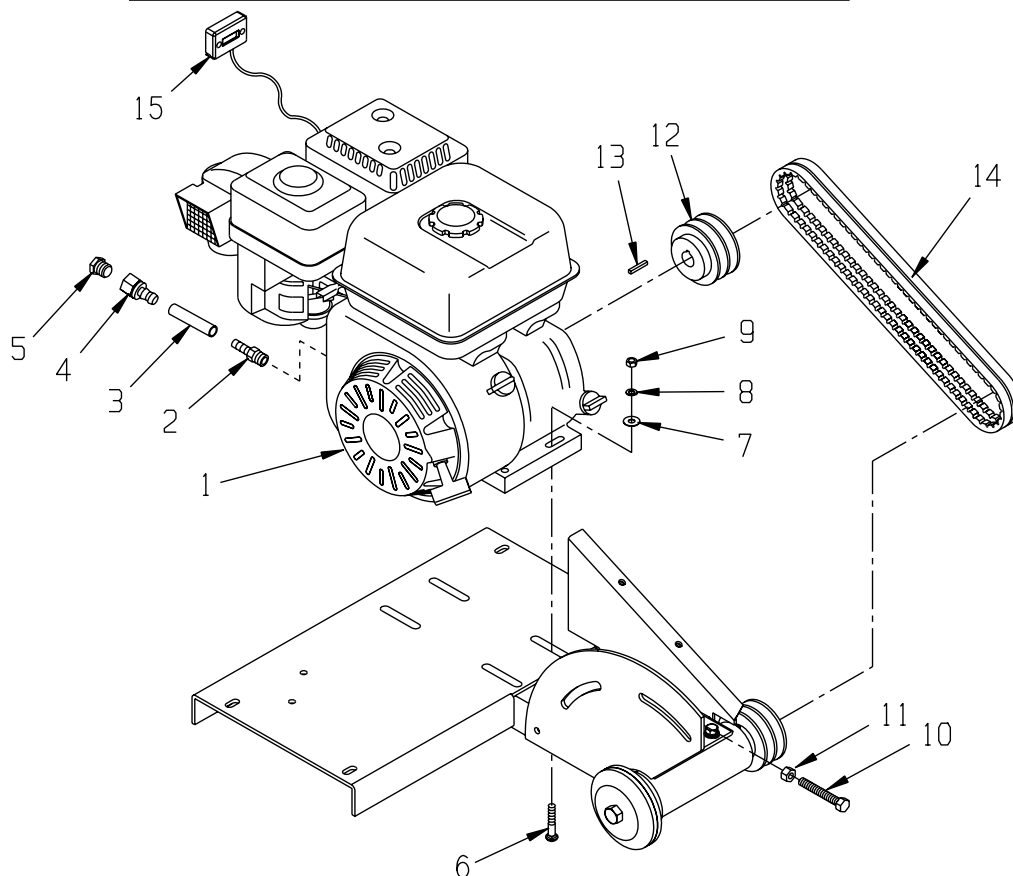
100 Thomas Johnson Drive, Frederick, MD 21702-4600 USA  
 Phone (301) 663-1600 • 1-800-638-3326  
 Fax (301) 663-1607 • 1-800-447-3326  
 Website: www.edcoinc.com  
 Email: sales@edcoinc.com

Printed in USA

©2011

Page 7

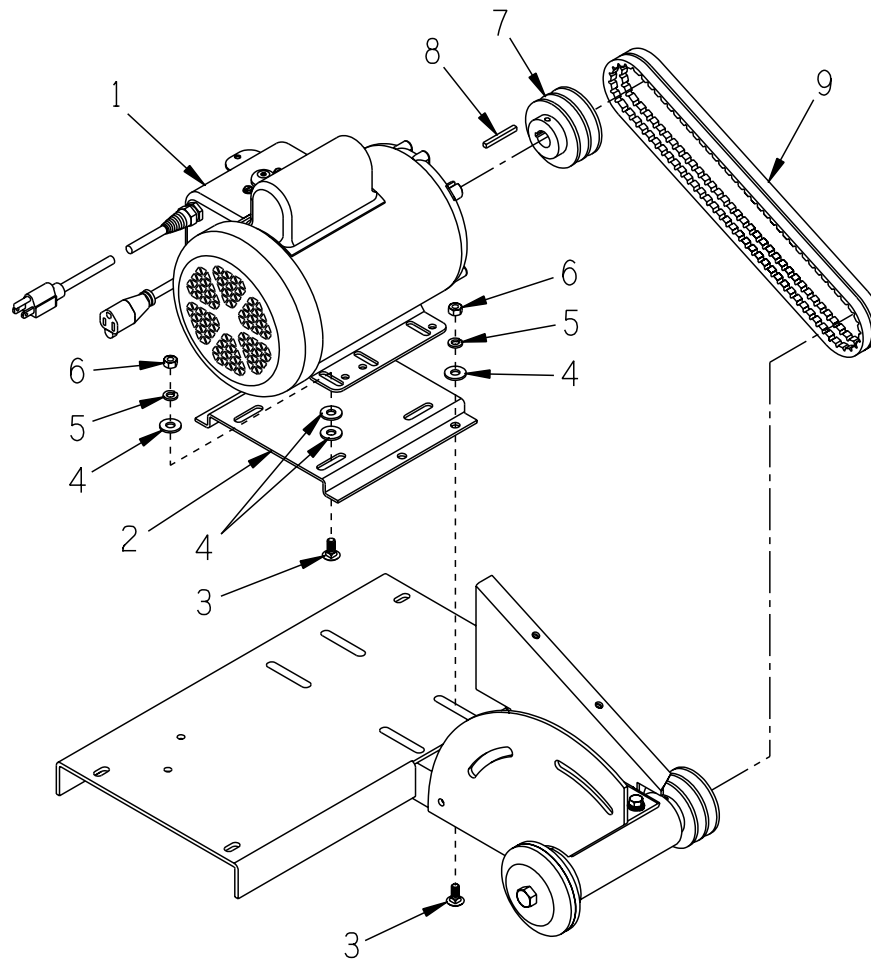
**ILLUSTRATION 4: ENGINE GROUPING**



ITEM #	PART #	DESCRIPTION	QTY.
1	40387	ENGINE, HONDA GX160U1-QXC9 CYC.A.C.	1
	15048	ENGINE, HONDA GX200U-QXC9 CYC.A.C.	1
2	11541	BARB, PUSH-ON 3/8 HOSE X10MM X 1.25	1
3	56116	HOSE, PUSH-ON 3/8"ID X 3"L	1
4	11544	BARB, PUSH-ON 3/8 HOSE X 1/4FPT	1
5	10776	PIPE PLUG 1/4 NPT (BRASS)	1
6	10918	BOLT, CARRIAGE 5/16-18 X 1-3/4 F.T.	4
7	10213	WASHER, FLAT 5/16 SAE ZINC	4
8	10801	WASHER, LOCK 5/16 ZINC	4
9	10054	NUT, HEX 5/16-18 ZINC	4
10	10410	BOLT, TAP 3/8-16 X 2-1/2 (FULL THD)	1
11	10404	NUT, HEX 3/8-16 ZINC	1
12*	40694	SHEAVE 2.75"OD X 2GR.3V X 3/4"BORE	1
	40005	SHEAVE 3"OD X 2GR.A X 3/4"BORE	1
13	----	KEY 3/16"SQ (INCLUDED / ENGINE)	1
14*	10276	BELT 3VX-355	2
	10233	BELT AX-34	2
15	15138	HOUR METER, INDUCTIVE (OPTIONAL)	1
<p>*NOTE: STARTING SERIAL # 110910092 USE PART # 40694 &amp; 10276.                  PRIOR TO SERIAL # 110910092 USE PART # 40005 &amp; 10233.</p>			



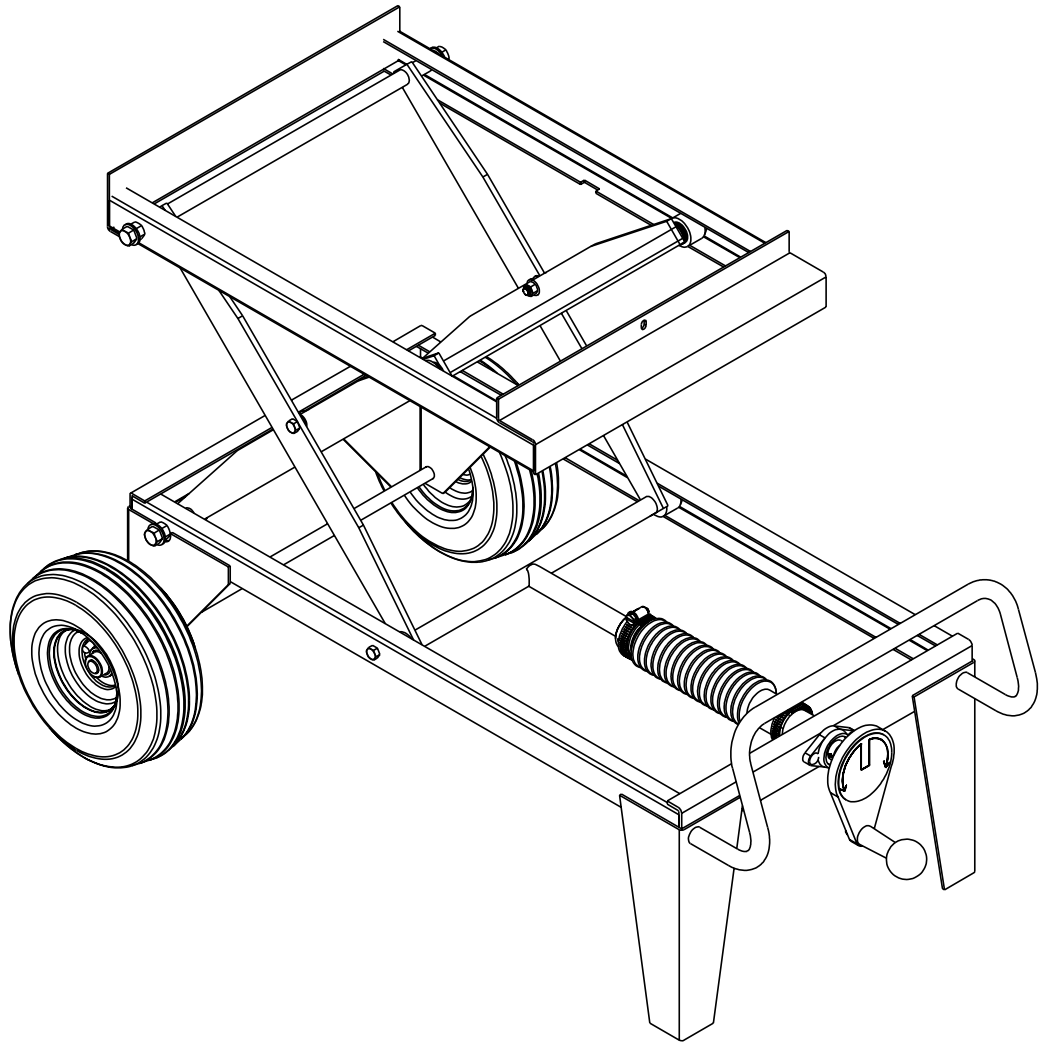
### ILLUSTRATION 5: MOTOR GROUPING



ITEM #	PART #	DESCRIPTION	QTY.
1	16061	MOTOR, BALDOR 1.5HP-1P 60HZ 3450RPM 115/230V SPEC. NO. 35V801R760G1	1
		<i>REPLACEMENT PARTS:</i>	
	16164	CAPACITOR, RUN, BALDOR OC3040F09SP	
	16163	RESET BUTTON, BALDOR TPCRT40CA	
	40051	CAPACITOR, START, BALDOR EC1645A06SP	
	16510	SWITCH, TOGGLE DPST 20A SPAD	
2	42237	MOUNT BRKT., MOTOR	1
3	10819	BOLT, CARRIAGE 5/16-18 X 1 FULL THD	8
4	10213	WASHER, FLAT 5/16 SAE	16
5	10801	WASHER, LOCK 5/16	8
6	10054	NUT 5/16-18	8
7	40005	SHEAVE 3"OD X 2 GR.A X 3/4"BORE	1
8	10060	KEY 3/16 SQ X 1-1/4	1
9	10283	BELT AX-35	2

**ILLUSTRATION 6: OPTIONAL PROCART**

**PART# 24750**

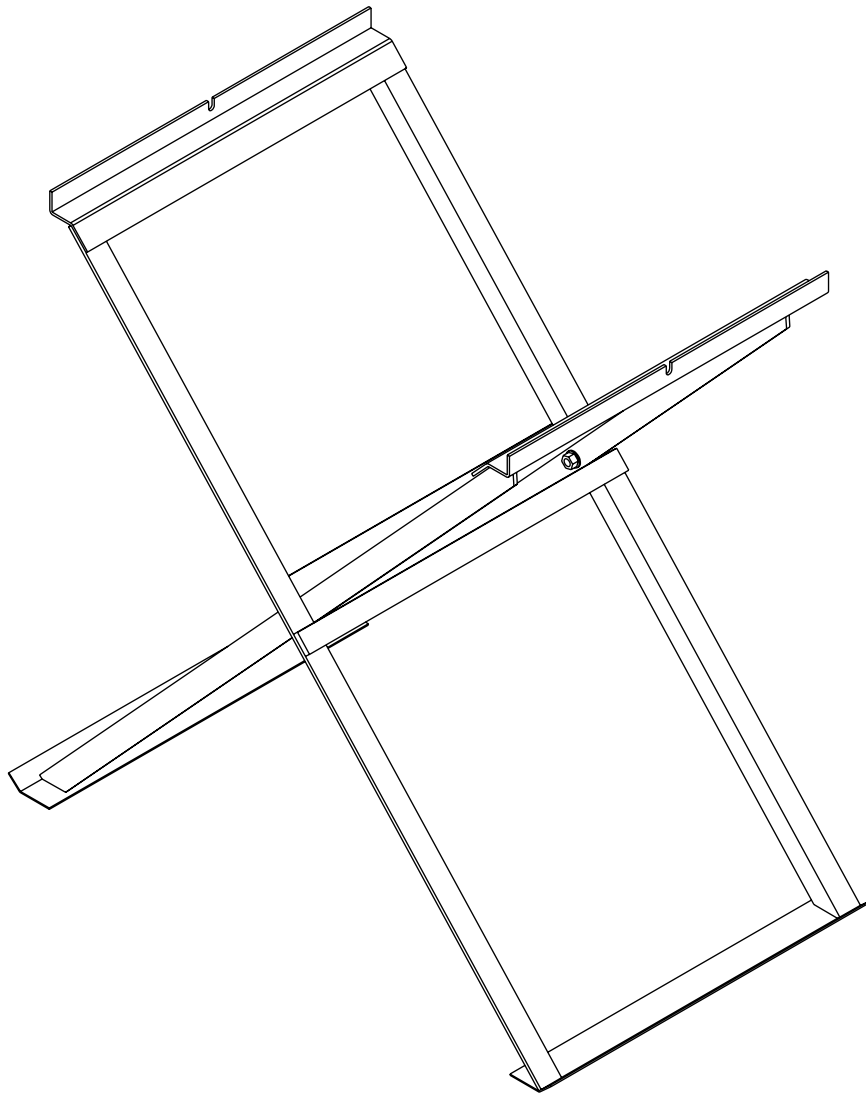


**ADJUSTABLE SCISSOR STYLE CART**

REFER TO THE PROCART PARTS LIST MANUAL  
FOR THE PARTS BREAKDOWN INFORMATION

**ILLUSTRATION 7: OPTIONAL FOLDING STAND**

**PART# 24150**

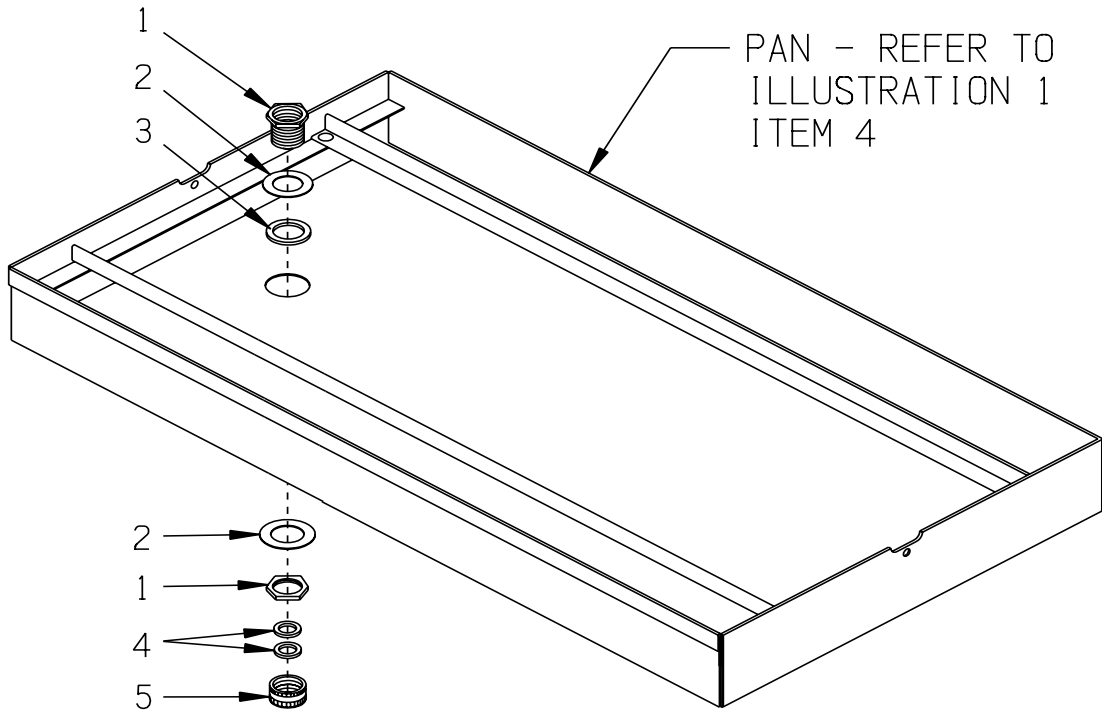


**ILLUSTRATION 8: OPTIONAL DRAIN ASSEMBLY**

**PART# 42250**

INCLUDES ITEMS SHOWN BELOW

USE IN PLACE OF DRAIN PLUG  
(ILLUSTRATION 1 - ITEM 5)



ITEM #	PART #	DESCRIPTION	QTY.
1	42251	FITTING, DRAIN 3/4NH X 1/2FPT (BRASS) (INCLUDES THIN JAM NUT)	1
2	10444	WASHER, ALUM. 1.885ODX1.060IDX .040	2
3	42252	WASHER, RUBBER 1-1/16IDX1-1/2ODX1/8	1
4	10070	WASHER, HOSE 3/4	2
5	42253	CAP, HOSE END (BRASS)	1

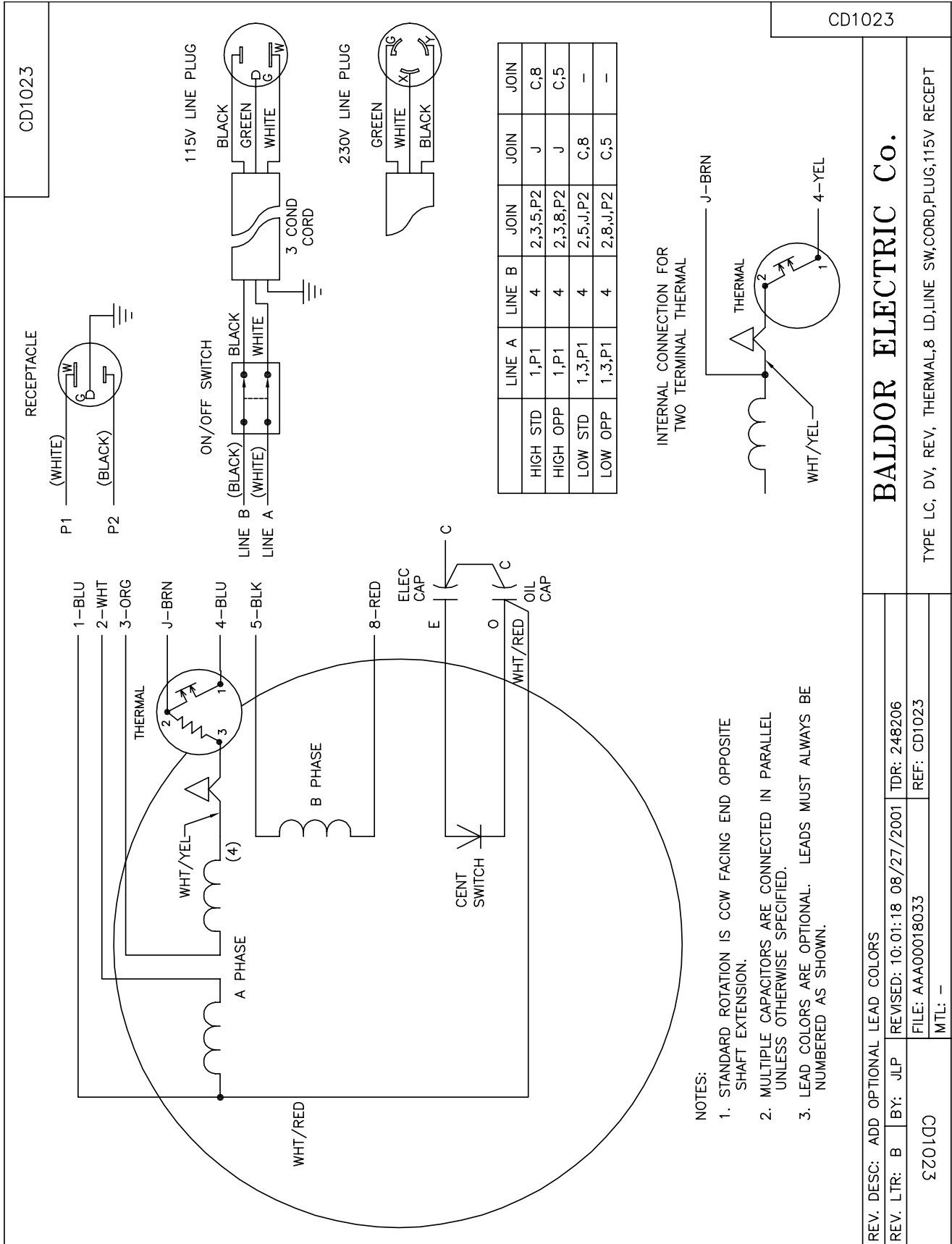
**ILLUSTRATION 9: OPTIONAL 115V WATER PUMP KIT****PART# 42320****ELECTRIC MODEL ONLY**

Connect the white plastic adapter fitting to the garden hose fitting that's connected to the ball valve located on the motor deck. Submerge the pump in water. Note: The pump will not work in the pan because it interferes with the rolling table. It will have to be used from a bucket, barrel or a external pan filled with water. Then connect the male plug to the female connector that is on the motor. The pump will now turn on with the motor when it is turned on.

**KIT INCLUDES:**

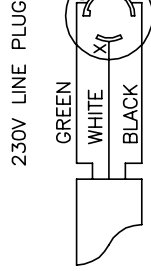
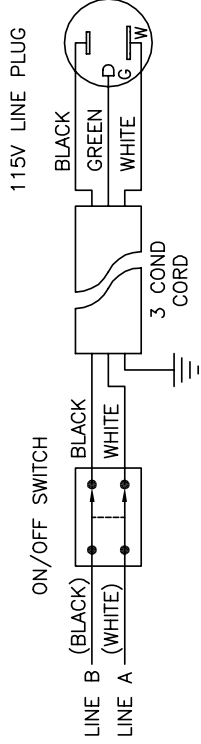
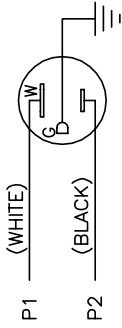
115 VAC SUBMERSIBLE PUMP . . . . . P/N 42130  
 BRASS HOSE BARB 1/4HOSE X 1/4FPT . . . . . P/N 40415  
 6FT. PVC TUBING 1/4"ID . . . . . P/N 11532  
 ADAPTER FITTING, MALE GHT X 1/4BARB . . . P/N 42321

**WIRING DIAGRAM FOR BALDOR MOTOR - 35V801R760G1 1.5HP 1-PHASE 60HZ**



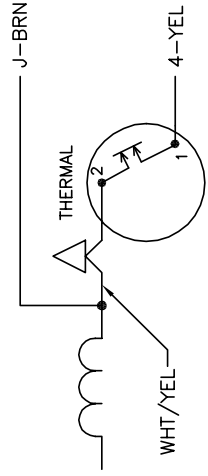
CD1023

RECEPTACLE



LINE A	LINE B	JOIN	JOIN
HIGH STD	1,P1	4	2,3,5,P2
HIGH OPP	1,P1	4	2,3,8,P2
LOW STD	1,3,P1	4	2,5,J,P2
LOW OPP	1,3,P1	4	2,8,J,P2

INTERNAL CONNECTION FOR TWO TERMINAL THERMAL



- NOTES:
- STANDARD ROTATION IS CCW FACING END OPPOSITE SHAFT EXTENSION.
  - MULTIPLE CAPACITORS ARE CONNECTED IN PARALLEL UNLESS OTHERWISE SPECIFIED.
  - LEAD COLORS ARE OPTIONAL. LEADS MUST ALWAYS BE NUMBERED AS SHOWN.

CD1023

**BALDOR ELECTRIC Co.**

TYPE LC, DV, REV, THERMAL, 8 LD, LINE SW, CORD, PLUG, 115V RECEPT

REV. DESC: ADD OPTIONAL LEAD COLORS

REV. LTR: B BY: JLP REVISED: 10:01:18 08/27/2001 TDR: 248206

FILE: AAA00018033 REF: CD1023

CD1023 MTL: -





**LIMITED EQUIPMENT WARRANTY OF SALE – TERMS & CONDITIONS**

Equipment Development Company, Inc. herein referred to as EDCO (Seller) warrants that each new unit manufactured by EDCO to be free from defects in material and workmanship in normal use and service for a period of (1) one year (except for the cutter drum assembly on all model concrete/asphalt planes, in which case the warranty period shall be 90 days) from date of shipment to the original retail or equipment rental center owner.

Accessories or equipment furnished and installed on the product by EDCO but manufactured by others, including, but not limited to engines, motors, electrical components, transmissions etc., shall carry the accessory manufacturers own warranty.

EDCO will, at its option, repair or replace, at the EDCO factory or at a point designated by EDCO, any part which shall appear to the satisfaction of EDCO inspection to have been defective in material or workmanship.

EDCO reserves the right to modify, alter and improve any part or parts without incurring any obligation to replace any part or parts previously sold without such modified, altered or improved part or parts.

This warranty is in lieu of and excludes all other warranties, expressed, implied, statutory, or otherwise created under applicable law including, but not limited to the warranty of merchantability and the warranty of fitness for a particular purpose in no event shall seller or the manufacturer of the product be liable for special, incidental, or consequential damages, including loss of profits, whether or not caused by or resulting from the negligence of seller and/or the manufacturer of the product unless specifically provided herein. In addition, this warranty shall not apply to any products or portions thereof which have been subjected to abuse, misuse, improper installation, maintenance, or operation, electrical failure or abnormal conditions and to products which have been tampered with, altered, modified, repaired, reworked by anyone not approved by seller or used in any manner inconsistent with the provisions of the above or any instructions or specifications provided with or for the product

**FORCE MAJEURE**

Seller's obligation hereunder are subject to, and Seller shall not be held responsible for, any delay or failure to make delivery of all or any part of the Product due to labor difficulties, fires, casualties, accidents, acts of the elements, acts of God, transportation difficulties, delays by a common carrier, inability to obtain Product, materials or components or qualified labor sufficient to timely perform part of or all of the obligations contained in these terms and conditions, governmental regulations or actions, strikes, damage to or destruction in whole or part of manufacturing plant, riots, terrorist attacks or incidents, civil commotions, warlike conditions, flood, tidal waves, typhoon, hurricane, earthquake, lightning, explosion or any other causes, contingencies or circumstances within or without the United States not subject to the Seller's control which prevent or hinder the manufacture or delivery of the Products or make the fulfillment of these terms and conditions impracticable. In the event of the occurrence of any of the foregoing, at the option of Seller, Seller shall be excused from the performance under these Terms and Conditions, or the performance of the Seller shall be correspondingly extended.

This document sets forth the terms and conditions pursuant to which the purchaser ("Purchaser") will purchase and Equipment Development Co. Inc. ("Seller") will sell the products, accessories, attachments (collectively the Products) ordered by the Purchaser. These terms and conditions shall govern and apply to the sale of Seller's Products to Purchaser, regardless of any terms and conditions appearing on any purchase order or other forms submitted by Purchaser to Seller, or the inconsistency of any terms therein and herein.

**1. PRICE**

All prices set forth on any purchase order or other document are F.O.B. Seller's facility or distribution point, as may be determined by Seller (F.O.B. Point). All prices are exclusive of any and all taxes, including, but not limited to, excise, sales, use, property or transportation taxes related to the sale or use of the Products, now or hereafter imposed, together with all penalties and expenses. Purchaser shall be responsible for collecting and/or paying any and all such taxes, whether or not they are stated in any invoice for the Products. Unless otherwise specified herein, all prices are exclusive of inland transportation, freight, insurance and other costs and expenses relating to the shipment of the Products from the F.O.B. point to Purchaser's facility. Any prepayment by Seller of freight insurance and other costs shall be for the account of Purchaser and shall be repaid to Seller.

**2. PAYMENT TERMS**

Payment terms are as follows. 2% 10 days (to approved and qualified accounts). Net 30 days. This is a cash discount for invoices paid within 10 days after the invoice date, regardless of date of receipt of shipment. This is not a trade discount and will not be granted to accounts that do not adhere to stated terms.

\*All past due accounts are subject to a late payment fee of 1.5% per month or a maximum allowed by law if different, along with the expenses incidental to collection including reasonable attorney's fees and costs.

\*Seller reserves the right to hold shipments against past due accounts.

\*Seller reserves the right to alter payment terms.

**3. FREIGHT TERMS**

All shipments will be made F.O.B. shipping point as designated in these Terms and Conditions, and title shall pass at the F.O.B. point. Delivery to the initial common carrier shall constitute delivery to the Purchaser. Any claims for loss or damage during shipment are to be filed with carrier by the Purchaser. Seller will not assume responsibility for the performance of the carrier.

Back orders will be shipped in the most practical fashion with charges consistent with our freight policy established with the original order. UPS, FED EX, MAIL or shipments by other couriers are subject to the same terms and conditions as outlined in paragraph #3 "Freight Terms".

**4. DELIVERY, DAMAGES, SHORTAGES**

Seller shall use reasonable efforts to attempt to cause the Products to be delivered as provided for in these Terms & Conditions. Delivery to the initial common carrier shall constitute the delivery to the Purchaser. Seller's responsibility, in so far as transportation risks are concerned ceases upon the delivery of the Products in good condition to such carrier at the F.O.B. point and all the Products shall be shipped at the Purchaser's risk. Seller shall not be responsible or liable for any loss of income and/or profits, or incidental, special, consequential damages resulting from Seller's delayed performance in shipment and delivery.

**5. RETURN OF DEFECTIVE PRODUCTS**

Defective or failed material shall be held at the Purchaser's premises until authorization has been granted by Seller to return or dispose of Products. Products that are to be returned for final inspection must be returned Freight Prepaid in the most economical way. Credit will be issued for material found to be defective upon Seller's inspection based on prices at time of purchase.

**6. PRODUCTS ORDERED IN ERROR**

Products may be returned, provided that claim is made and Seller is notified within 7 days of receipt of Products, and the Products are in original buyer's possession not more than 30 days prior to return, subject to Seller's approval. If Products are accepted for return, they must be Freight Prepaid and buyer will be charged a minimum of 15% restocking charge, plus a charge back for outbound freight charges if the original order was shipped prepaid. Returns are not accepted for any Products that are specifically manufactured to meet the buyer's requirement of either specifications or quantity.

**AGREEMENTS**

These Terms and Conditions constitute the entire agreement between Seller and Purchaser as it relates to terms and conditions of sale, and supersedes any and all prior oral or written agreements, correspondence, quotations or understandings heretofore in force between the parties relating to the subject matter hereof. There are no agreements between Seller and Purchaser with respect to the Product herein except those specifically set forth in and made part of these terms and conditions. Any additional terms, conditions and/or prices are rejected by Seller.

These terms and conditions may be modified, cancelled or rescinded only by a written agreement of both parties executed by their duly authorized agents.

**USE ONLY GENUINE EDCO PARTS & ACCESSORIES**  
**For your own safety, the safety of others and the life of your machine.**

**Equipment Development Company, Inc.**

