

PARTS LIST MANUAL

MODEL CPU12-35W



Concrete/Asphalt Scarifier
Part No. 75700



100 Thomas Johnson Drive, Frederick, MD 21702-4600 USA
Phone (301) 663-1600 • 1-800-638-3326
Fax (301) 663-1607 • 1-800-447-3326
Website: www.edcoinc.com • Email: sales@edcoinc.com

Printed in USA
©2000

READ AND UNDERSTAND THE OPERATORS INSTRUCTION MANUAL *THOROUGHLY* BEFORE ATTEMPTING TO OPERATE THIS EQUIPMENT.



Death or serious injury could occur if this machine is used improperly.



SAFETY MESSAGES

- Safety Instructions are preceded by a graphic alert symbol of DANGER, WARNING, or CAUTION.



Indicates an imminent hazard which, if not avoided, will result in death or serious injury.



Indicates an imminent hazard which, if not avoided, can result in death or serious injury.



Indicates hazards which, if not avoided, could result in serious injury and or damage to the equipment.

GASOLINE/PROPANE POWERED EQUIPMENT



- Engine exhaust from this product contains chemicals known to the State of California to cause cancer, birth defects or other reproductive harm.



- Gasoline is extremely flammable and poisonous. It should only be dispensed in well ventilated areas, and with a cool engine.

- Small gasoline engines produce high concentrations of carbon monoxide (CO) example: a 5 HP 4 cycle engine operation in an enclosed 100,000 cu. ft. area with only one change of air per hour is capable of providing deadly concentrations of CO in less than fifteen minutes. Five changes of air in the same area will produce noxious fumes in less than 30 minutes. Gasoline or propane powered equipment should not be used in enclosed or partially enclosed areas. Symptoms of CO poisoning include, headache, nausea, weakness, dizziness, visual problems and loss of consciousness. If symptoms occur - get into fresh air and seek medical attention immediately.

ELECTRICAL POWERED EQUIPMENT



Extreme care must be taken when operating electric models with water present: Ensure power cord is properly grounded, is attached to a Ground-Fault-Interrupter (GFI) outlet, and is undamaged.

- Check all electrical cables - be sure connections are tight and cable is continuous and in good condition. Be sure cable is correctly rated for both the operating current and voltage of this equipment.
- Improper connection of the equipment-grounding conductor can result in a risk of electric shock. Check with qualified electrician or service person if there is any doubt as to whether the outlet is properly grounded. Adhere to all local codes and ordinances.
- **NOTE:** In the event of a malfunction or breakdown, grounding provides a path of least resistance for the electric current to dissipate. The motor is equipped with a grounded plug and must be connected to an outlet that is properly installed and properly grounded. **DO NOT** modify the plug provided on the motor. If the plug does not fit the outlet have a qualified electrician install the proper receptacle.
- Switch motor OFF **before** disconnecting power.

- Do not disconnect power by pulling cord. To disconnect, grasp the plug, not the cord.
- Unplug power cord at the machine when not in use and before servicing.

GENERAL INSTRUCTIONS


- Equipment should only be operated by trained personnel in good physical condition and mental health (not fatigued). The operator and maintenance personnel must be physically able to handle the bulk weight and power of this equipment.
- This is a one person tool. Maintain a safe operating distance to other personnel. It is the **operators' responsibility** to keep other people (workers, pedestrians, bystanders, etc.) away during operation. Block off the work area in all directions with roping, safety netting, etc. for a safe distance. Failure to do so may result in others being injured by flying debris or exposing them to harmful dust and noise.
- This equipment is intended for commercial use only.
- For the operator's safety and the safety of others, always keep all guards in place during operation.
- Never let equipment run unattended.



- Personal Protection Equipment and proper safety attire must be worn when operating this machinery. The operator must wear approved safety equipment appropriate for the job such as hard hat and safety shoes when conditions require. Hearing protection **MUST** be used (operational noise levels of this equipment may exceed 85db). Eye protection **MUST** be worn at all times.



Keep body parts and loose clothing away from moving parts. Failure to do so could result in dismemberment or death.

- Do not modify the machine.
- Stop motor/engine when adjusting or servicing this equipment.
-  Maintain a safe operating distance from flammable materials. Sparks from the cutting-action of this machine can ignite flammable materials or vapors.

DUST WARNING



Some dust created by power sanding, sawing, grinding, drilling, and other construction activities contains chemicals known to cause cancer, birth defects, or other reproductive harm. Some examples of these chemicals are:

- Lead from lead-based paints, and
- Crystalline silica from bricks and concrete and other masonry products.

Your risk of exposure to these chemicals varies depending on how often you do this type of work. To reduce your risk: work in a well ventilated area, use a dust control system, such as an industrial-style vacuum, and wear approved personal safety equipment, such as a dust/particle respirator designed to filter out microscopic particles.

PARTS LIST MANUAL

MODEL CPU-12

Section	Page Number
Safety Messages & General Instructions	2
How To Order Repair Parts.	3
Illustration 1 - Main Frame Grouping	4
Parts Listing.	5
Illustration 2 - Lifting System Grouping	6
Parts Listing.	7
Illustration 3 - Transmission Grouping	8
Parts Listing	9
Illustration 4 - Rear Axle & Wheel Grouping	10
Parts Listing	11
Illustration 5 - Drum Grouping	12
Illustration 6 - Belt Drive Grouping.	13
Illustration 7 - Engine Grouping	14
Parts Listing	15
Illustration 8 - Wiring Diagram	17
Limited Equipment Warranty (Back Cover)	20

HOW TO ORDER REPLACEMENT PARTS

- To insure product safety and reliability, always use genuine EDCO replacement parts when making repairs to the equipment.

- When calling for parts, specify the MODEL and SERIAL NUMBER of the machine which can be found on the NAME PLATE. Keep that information in the space provided. In addition to this information, give part number, description and quantity as listed on the parts list to your parts representative.

- Please note: Due to improvements and changes in the equipment, the illustrations shown may be different than the actual machine.

FILL IN INFORMATION BELOW

Date of Purchase _____

Name of Machine _____

Model # _____

Serial # _____

Belt Size(s) _____

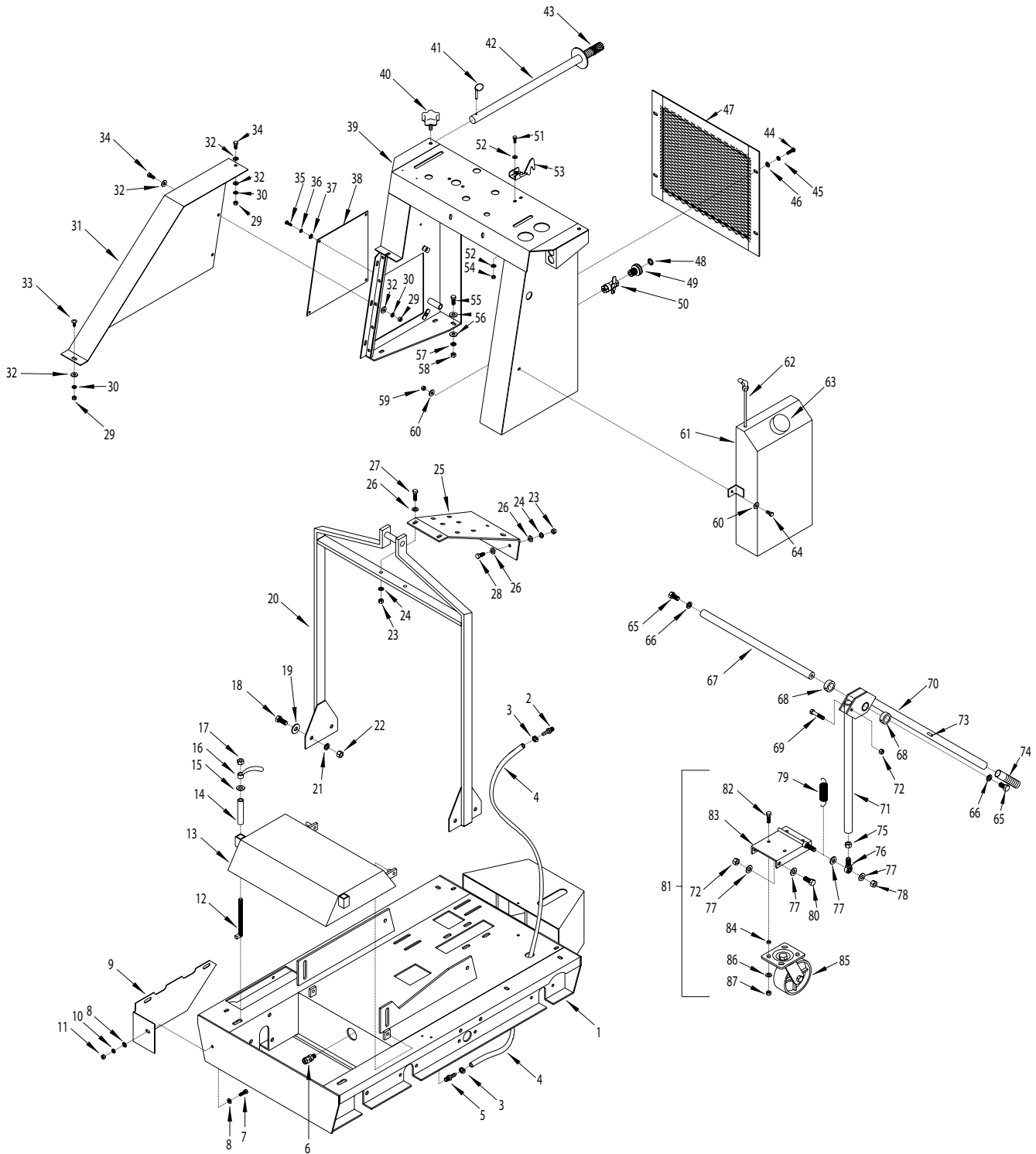
Toll Free: 1-800-638-3326

FAX: 1-800-447-3326

email: sales@edcoinc.com

www.edcoinc.com

ILLUSTRATION #1: MAIN FRAME GROUPING



PARTS LISTING - ILLUSTRATION #1 : MAIN FRAME GROUPING							
ITEM#	PART#	DESCRIPTION	QTY.	ITEM#	PART#	DESCRIPTION	QTY.
1	61213	MAIN FRAME	1	45	10801	WASHER, LOCK 5/16	4
2	50077	BARB. HOSE, 3/8 HOSE x 1/2 MPT	1	46	10213	WASHER, FLAT 5/16	4
3	50069	CLAMP, HOSE, SIZE M6 ADJ. TO 13/16"	2	47	61305	GRILL, REAR	1
4	61220	HOSE, 3/8 ID x 40-1/2" LONG	1	48	10070	WASHER, HOSE 3/4"	1
5	50075	BARB. HOSE, 3/8 HOSE x 1/4 MPT	1	49	10778	CONNECTOR, FEMALE 3/4 NH x 1/2 MPT	1
6	80029	NOZZLE, SPRAY 1/4 NPT (BRASS)	1	50	10711	VALVE, BALL 1/2" FPT	1
7	10806	SCREW, CAP 5/16-18 x 1	3	51	10018	SCREW, CAP 1/4-20 x 3/4	1
8	10213	WASHER, FLAT 5/16	6	52	10602	WASHER, FLAT 1/4	2
9	61211	GUARD, LOWER PULLEY	1	53	61202	LATCH, REAR CASTER LEVER	1
10	10801	WASHER, LOCK 5/16	3	54	10861	NUT, KEPS 1/4-20	1
11	10054	NUT 5/16-18	3	55	10021	SCREW, CAP 3/8-24 x 1	6
12	61210	ROD, ALL THREAD 1/2-13 HOOD LATCH	2	56	10025	WASHER, FLAT 3/8	12
13	61209	COVER, DRUM (HOOD)	1	57	10811	WASHER, LOCK 3/8	6
14	61208	TUBE, HOOD LATCH 3/4"OD x 3-3/4"L	2	58	10014	NUT 3/8-24	6
15	10312	WASHER, FLAT 1/2	2	59	10861	NUT, KEPS 1/4-20	3
16	40358	NUT, TAIL HANDLE 1/2-13	2	60	10602	WASHER, FLAT 1/4	6
17	10407	NUT, LOCK 1/2-13	2	61	61055	TANK, GAS, 3 GALLON (INCLUDES ITEM #63)	1
18	10321	SCREW, CAP 1/2-20 x 1-1/4	4	62	61058	TUBE, FUEL PICK UP, 19"	1
19	10312	WASHER, FLAT 1/2	4	63	61056	CAP, GAS TANK	1
20	61302	BAIL, LIFTING	1	64	10018	SCREW, CAP 1/4-20 x 3/4	3
21	10045	WASHER, LOCK 1/2	4	65	10304	SCREW, CAP 1/2-20 x 1	2
22	10072	NUT 1/2-20	4	66	10045	WASHER, LOCK 1/2	2
23	10014	NUT 3/8-24	4	67	61205	SHAFT, 1"RD x 20-3/8"L	1
24	10811	WASHER, LOCK 3/8	4	68	10427	COLLAR, LOCKING 1"ID	2
25	61303	BRACKET, AIR CLEANER	1	69	10030	SCREW, CAP 3/8-24 x 2	1
26	10025	WASHER, FLAT 3/8	6	70	61110	LEVER, REAR CASTER	1
27	10309	SCREW, CAP 3/8-24 x 1-1/4	2	71	61206	LINKAGE, REAR CASTER	1
28	10021	SCREW, CAP 3/8-24 x 1	2	72	10004	NUT, LOCK 3/8-24	1
29	10054	NUT 5/16-18	5	73	50072	PIN, ROLL 1/4 x 2	1
30	10801	WASHER, LOCK 5/16	5	74	79022	GRIP, HAND 1" MODEL RG	1
31	61204	COVER, BELT	1	75	10072	NUT 1/2-20	1
32	10213	WASHER, FLAT 5/16	9	76	4805	ROD END, MALE 1/2-20	1
33	10818	BOLT, CARRIAGE 5/16-18 x 3/4	1	77	10312	WASHER, FLAT 1/2	6
34	10053	SCREW, CAP 5/16-18 x 3/4	4	78	10407	NUT, LOCK 1/2-13	1
35	10018	SCREW, CAP 1/4-20 x 3/4	4	79	50074	SPRING, EXT. 1" OD x 3-15/16" INSIDE ENDS	1
36	10038	WASHER, LOCK 1/4	4	80	10321	SCREW, CAP 1/2-20 x 1-1/4	2
37	10602	WASHER, FLAT 1/4	4	81	61120A	FIFTH WHEEL SUBASSEMBLY (INCLUDES ITEMS 82-87)	1
38	61003	DOOR, CONSOLE SIDE ACCESS	1	82	10309	SCREW, CAP 3/8-24 x 1-1/4	4
39	61304	CONSOLE, ELECTRIC HYD. PUMP	1	83	61120	CARRIAGE, CASTER BASE	1
40	51230	KNOB, STAR CLAMPING 3/8-16 x 1 STUD	2	84	10113	SPACER, STEEL 9/16" OD x 3/8" ID x 7/32"	4
41	10145	PIN, DETENT RING 3/16 x 1-5/16 EFF. L	2	85	61121	CASTER, SWIVEL WITH 5" C.I. WHEEL	1
42	51024	HANDLEBAR, 24"	2	86	10025	WASHER, FLAT 3/8	4
43	61108	GRIP, 1" MODEL SX	2	87	10004	NUT, LOCK 3/8-24	4
44	10806	SCREW, CAP 5/16-18 x 1	4				



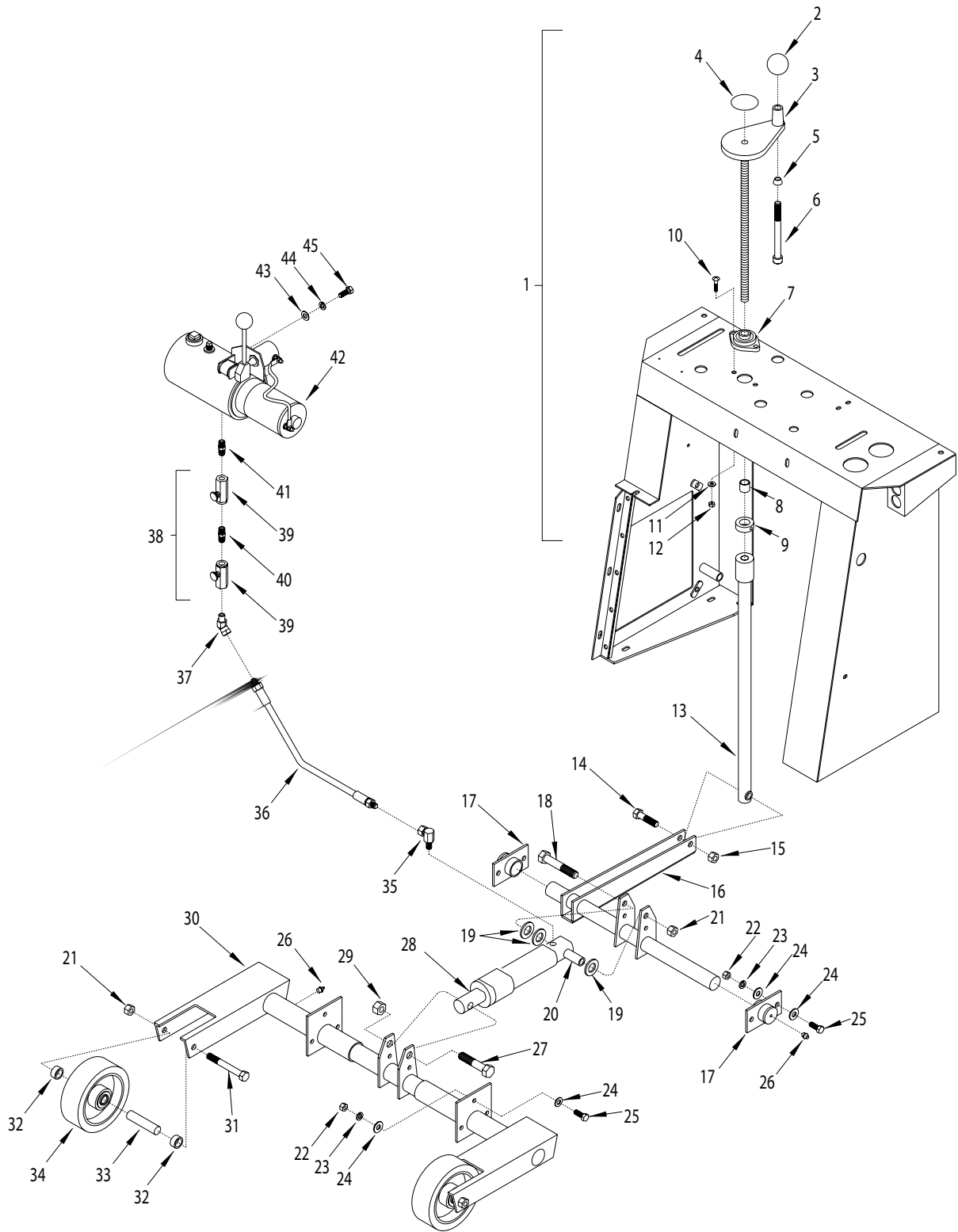
100 Thomas Johnson Drive, Frederick, MD 21702-4600 USA
 Phone (301) 663-1600 • 1-800-638-3326
 Fax (301) 663-1607 • 1-800-447-3326
 Website: www.edcoinc.com • Email: sales@edcoinc.com

Printed in USA

©2000

Page 5

ILLUSTRATION #2:LIFTING SYSTEM GROUPING



PARTS LISTING - ILLUSTRATION #2 :LIFTING SYSTEM GROUPING							
ITEM#	PART#	DESCRIPTION	QTY.	ITEM#	PART#	DESCRIPTION	QTY.
1	75004A	HANDWHEEL SUBASSEMBLY (INCLUDES ITEMS 2-9)	1	38	61116A	VALVE SUBASSEMBLY HYDRAULIC PUMP FLOW CONTROL (INCLUDES ITEMS 39 & 40)	1
2	10104	KNOB, BALL 1-7/8" DIA. W/ 1/2-13 THD.	1	39	61116	VALVE, FLOW CONTROL	2
3	75004	HANDWHEEL, LRG W/ 5/8-8 x 16" ROD	1	40	10717	NIPPLE, HEX 1/4 NPT (BRASS)	1
4	61106	DECAL, CUT CONTROL DN/UP	1	41	10717	NIPPLE, HEX 1/4 NPT (BRASS)	1
5	50550	SLEEVE FOR 1/2" CAPSCREW, TAPERED	1	42	50227	PUMP, HYDRAULIC ELECTRIC 12VDC (M-301)	1
6	10411	SCREW, SKT. HD. CAP 1/2-13 x 4	1	43	10025	WASHER, FLAT 3/8	2
7	80009	BEARING, BALL 5/8" 2 HOLE FLANGE	1	44	10811	WASHER, LOCK 3/8	2
8	55010	SPACER, HANDWHEEL 5/8" x 3/4	1	45	10055	SCREW, CAP 3/8-16 x 1	2
9	10096	COLLAR, LOCKING 5/8" ID	1				
10	10412	BOLT, CARRIAGE 1/4-20 x 1	2				
11	10602	WASHER, FLAT 1/4	2				
12	10861	NUT, KEPS 1/4-20	2				
13	61214	LINKAGE, LOWER CONTROL 25"L	1				
14	10322	SCREW, CAP 1/2-20 x 2	1				
15	10205	NUT, LOCK 1/2-20	1				
16	61218	ARM, CYLINDER CONTROL	1				
17	61219	SUPPORT, PIVOT	2				
18	10324	SCREW, CAP 1/2-13 x 3-1/2	1				
19	10009	WASHER, FLAT 3/4	3				
20	61217	TUBE, CYLINDER 3/4" OD x 2-5/16" L	1				
21	10407	NUT, LOCK 1/2-13	3				
22	10014	NUT 3/8-24	10				
23	10811	WASHER, LOCK 3/8	10				
24	10025	WASHER, FLAT 3/8	20				
25	10021	SCREW, CAP 3/8-24 x 1	10				
26	10808	FITTING, GREASE 1/4-28 STRAIGHT	4				
27	10326	SCREW, CAP 5/8-11 x 3	1				
28	61020	CYLINDER, HYDRAULIC	1				
29	10809	NUT, LOCK 5/8-11	1				
30	61216	FORK, OUTRIGGER	1				
31	81001	SCREW, CAP 1/2-13 x 4	2				
32	61047	SPACER, WHEEL 3/4" ID x 15/32	4				
33	61048	AXLE TUBE 3/4" OD x 3-1/4" L	2				
34	50030	WHEEL 6 x 2 x 3/4" BEARING, ALUMINUM/ RUBBER	2				
35	10709	FITTING, SWIVEL 90°, 1/4 NPT HYDRAULIC	1				
36	61215	HOSE, HYDRAULIC 1/4 NPT x 31-1/2" L	1				
37	10710	FITTING, SWIVEL 45°, 1/4 NPT	1				

HYDRAULIC



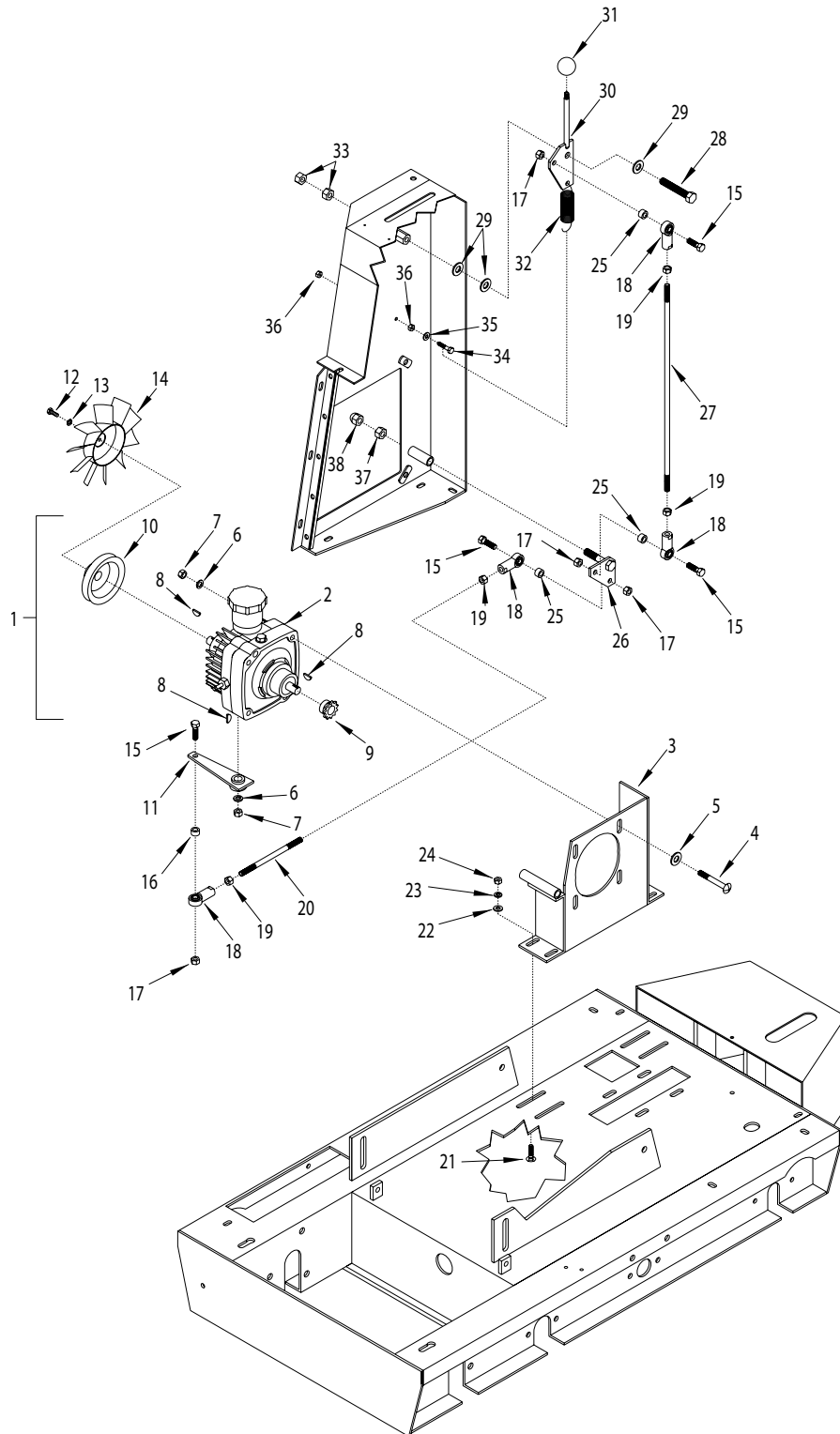
100 Thomas Johnson Drive, Frederick, MD 21702-4600 USA
 Phone (301) 663-1600 • 1-800-638-3326
 Fax (301) 663-1607 • 1-800-447-3326
 Website: www.edcoinc.com • Email: sales@edcoinc.com

Printed in USA

©2000

Page 7

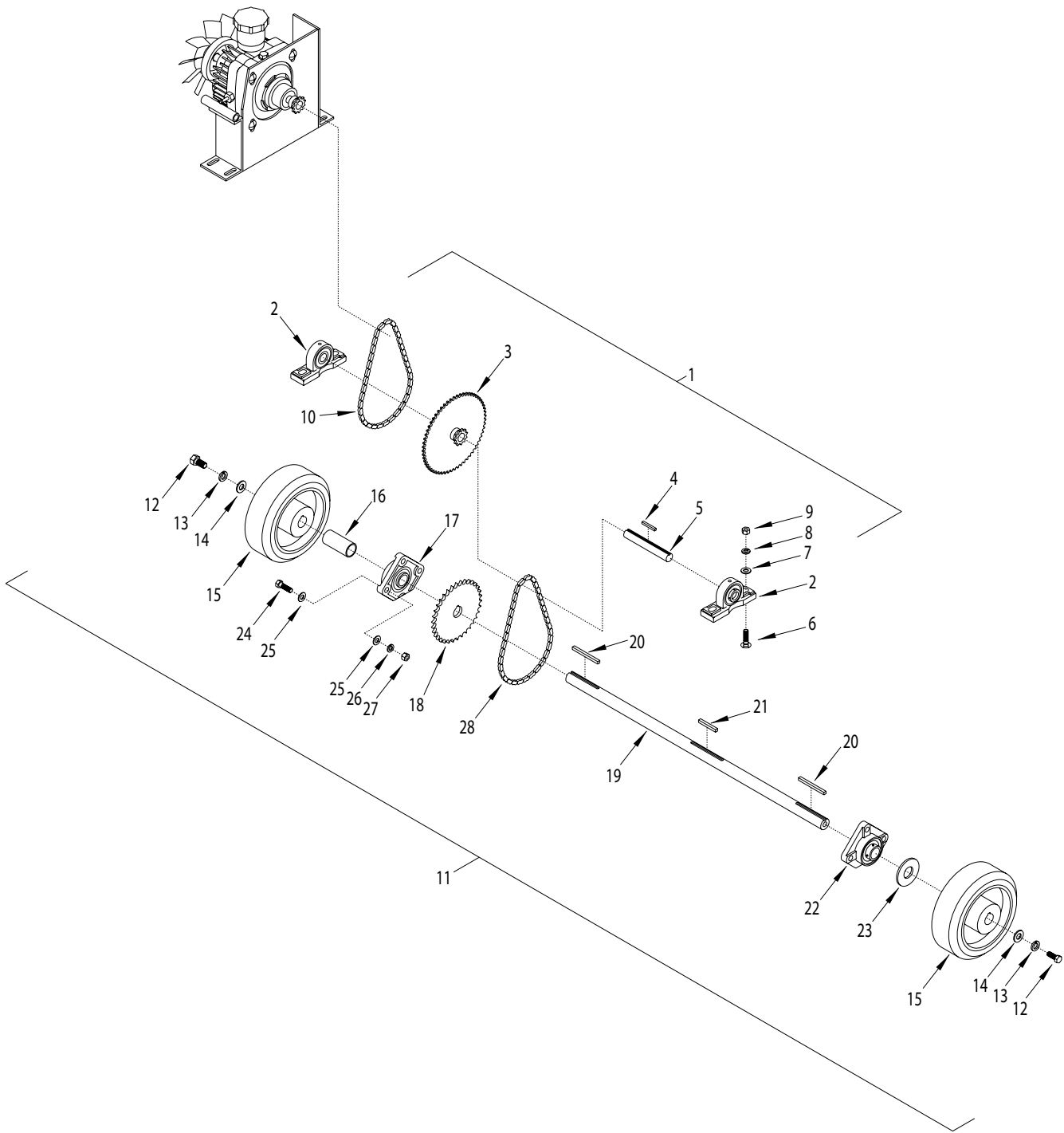
ILLUSTRATION #3: TRANSMISSION GROUPING



PARTS LISTING - ILLUSTRATION #3 : TRANSMISSION GROUPING			
ITEM#	PART#	DESCRIPTION	QTY.
1	61226A	TRANSMISSION SUBASSEMBLY (INCLUDES ITEMS 2-11)	1
2	50061	TRANSMISSION, HYDROSTATIC	1
3	61226	MOUNT, TRANSMISSION	1
4	10909	BOLT, CARRIAGE 3/8-16 x 3	4
5	10040	WASHER, GARRET 1"OD x 17/32 ID x .054T	4
6	10811	WASHER, LOCK 3/8	4
7	10404	NUT 3/8-16	4
8	50071	KEY, WOODRUFF 1/8 x 1/2(#404)	3
9	50048	SPROCKET #3511 x .67 BORE	1
10	50062	SHEAVE, HYD. TRANS. 4"OD x 1 Gr. x .671 BORE	1
11	61225	CONTROL ARM, TRANSMISSION	1
12	10834	SCREW, CAP 1/4-20 x 1/2	1
13	10038	WASHER, LOCK 1/4	1
14	50266	FAN BLADE WITH PLATE 7"	1
15	10816	SCREW, CAP 3/8-24 x 1-1/2	4
16	10011	SPACER, STEEL 5/8 OD x 3/8 ID x 3/8	1
17	10004	NUT, LOCK 3/8-24	4
18	10919	ROD END, FEMALE 3/8-24	4
19	10014	NUT 3/8-24	4
20	61224	LINKAGE, ROD 3/8 x 6-1/2"L	1
21	10819	BOLT, CARRIAGE 5/16-18 x 1	4
22	10213	WASHER, FLAT 5/16	4
23	10801	WASHER, LOCK 5/16	4
24	10054	NUT 5/16-18	4
25	10113	SPACER, STEEL 9/16" OD x 3/8"ID x 7/32"	3
26	61038	PIVOT LINKAGE CONNECTOR, TRANSMISSION	1
27	61223	LINKAGE, ROD 3/8" x 19-1/4"L	1
28	10340	BOLT, TAP 1/2-13 x 3(FULL THREAD)	1
29	10312	WASHER, FLAT 1/2	3
30	61221	LEVER, DRIVE	1
31	10920	KNOB, BALL 1-3/8"DIA. W/ 5/16-24 THREADS	1
32	50074	SPRING, EXT.1"OD x 3-15/16" INSIDE ENDS	1
33	10417	NUT 1/2-13	2
34	10905	SCREW, CAP 1/4-20 x 1-1/4	1
35	10602	WASHER, FLAT 1/4	1
36	10013	NUT 1/4-20	2
37	10205	NUT, LOCK 1/2-20	1
38	10422	NUT, ACORN 1/2-20	1



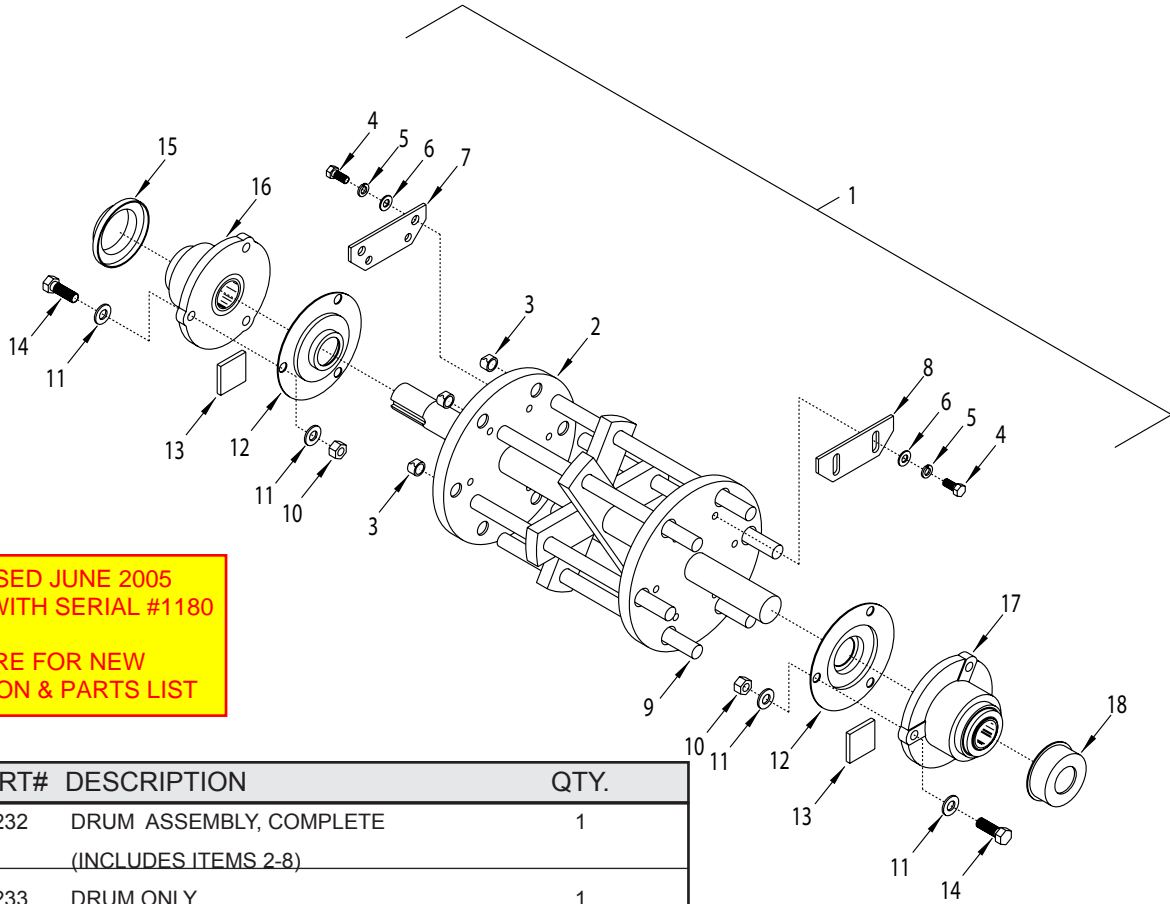
ILLUSTRATION #4: REAR AXLE & WHEEL GROUPING



PARTS LISTING - ILLUSTRATION #4 :REAR AXLE & WHEEL GROUPING			
ITEM#	PART#	DESCRIPTION	QTY.
1	61053A	JACKSHAFT SUBASSEMBLY (INCLUDES ITEMS 2-5)	1
2	50045	BEARING, BALL 3/4" PILLOW BLOCK	2
3	61124	SPROCKET, DUAL #3560-4010	1
4	10016	KEY 3/16"SQ. x 1-1/2	1
5	61053	JACKSHAFT, 3/4"RD x 5"L	1
6	10804	BOLT, CARRIAGE 3/8-16 x 1-1/2	4
7	10025	WASHER, FLAT 3/8	4
8	10811	WASHER, LOCK 3/8	4
9	10404	NUT 3/8-16	4
10	61229	CHAIN #35 x 26-1/8" LOA	1
11	61228A	AXLE & WHEEL SUBASSEMBLY (INCLUDES ITEMS 12-23)	1
12	10914	SCREW, CAP 1/2-13 x 1	2
13	10045	WASHER, LOCK 1/2	2
14	10312	WASHER, FLAT 1/2	2
15	61065	WHEEL 8 x 3 x 1" BORE	2
16	61231	SPACER, WHEEL 1"ID x 2-3/4"L	1
17	61052R	BEARING, BALL 1"MODIFIED 3 HOLE (RIGHT)	1
18	61126	SPROCKET #40B34 x 1" BORE	1
19	61228	AXLE SHAFT, 1"DIA. x 30"L	1
20	10132	KEY 1/4"SQUARE x 3"L	2
21	10115	KEY 1/4"SQUARE x 2"L	1
22	61052L	BEARING, BALL 1"MODIFIED 3 HOLE (LEFT)	1
23	10008	WASHER, FLAT 1"	1
24	10309	SCREW, CAP 3/8-24 x 1-1/4	6
25	10025	WASHER, FLAT 3/8	12
26	10811	WASHER, LOCK 3/8	6
27	10014	NUT 3/8-24	6
28	61230	CHAIN #40 x 24-13/16"LOA	1



ILLUSTRATION #5:DRUM GROUPING



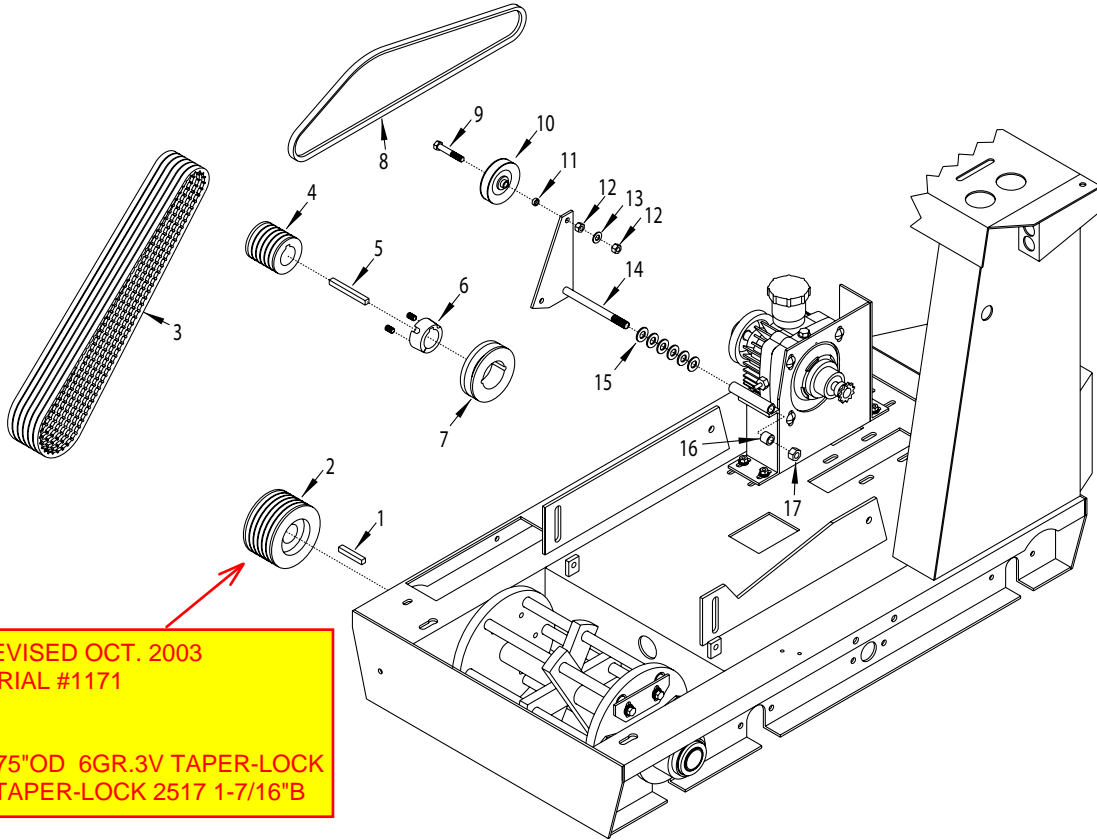
**DRUM REVISED JUNE 2005
STARTING WITH SERIAL #1180**

**SELECT HERE FOR NEW
ILLUSTRATION & PARTS LIST**

ITEM#	PART#	DESCRIPTION	QTY.
1	61232	DRUM ASSEMBLY, COMPLETE (INCLUDES ITEMS 2-8)	1
2	61233	DRUM ONLY	1
3	84063	BUSHING, DRUM, HARDENED STEEL 3/4"ID	12
4	10912	SCREW, CAP 3/8-16 x 7/8 (GRADE 8)	12
5	10811	WASHER, LOCK 3/8	12
6	10025	WASHER, FLAT 3/8	12
7	61249	RETAINING PLATE, CUTTER SHAFT, 4-HOLE	3
8	61234	RETAINING PLATE, CUTTER SHAFT, 2-SLOT	3
9	20010	CP 412 SHAFT, 13-5/8"	6
10	10205	NUT, LOCK 1/2-20	6
11	10312	WASHER, FLAT 1/2	12
12	61238	BEARING DUST SHIELD	2
13	61239	RUBBER SEAL, 1-3/4"SQ.	2
14	10308	SCREW, CAP 1/2-20 x 1-1/2	6
15	61247	BEARING STEEL FLINGER	1
16	61236	BEARING ROLLER 1-1/2" 3-HOLE (RIGHT)	1
17	61235	BEARING ROLLER 1-1/2" 3-HOLE (LEFT)	1
18	61237	BEARING STEEL CAP	1



ILLUSTRATION #6: BELT DRIVE GROUPING



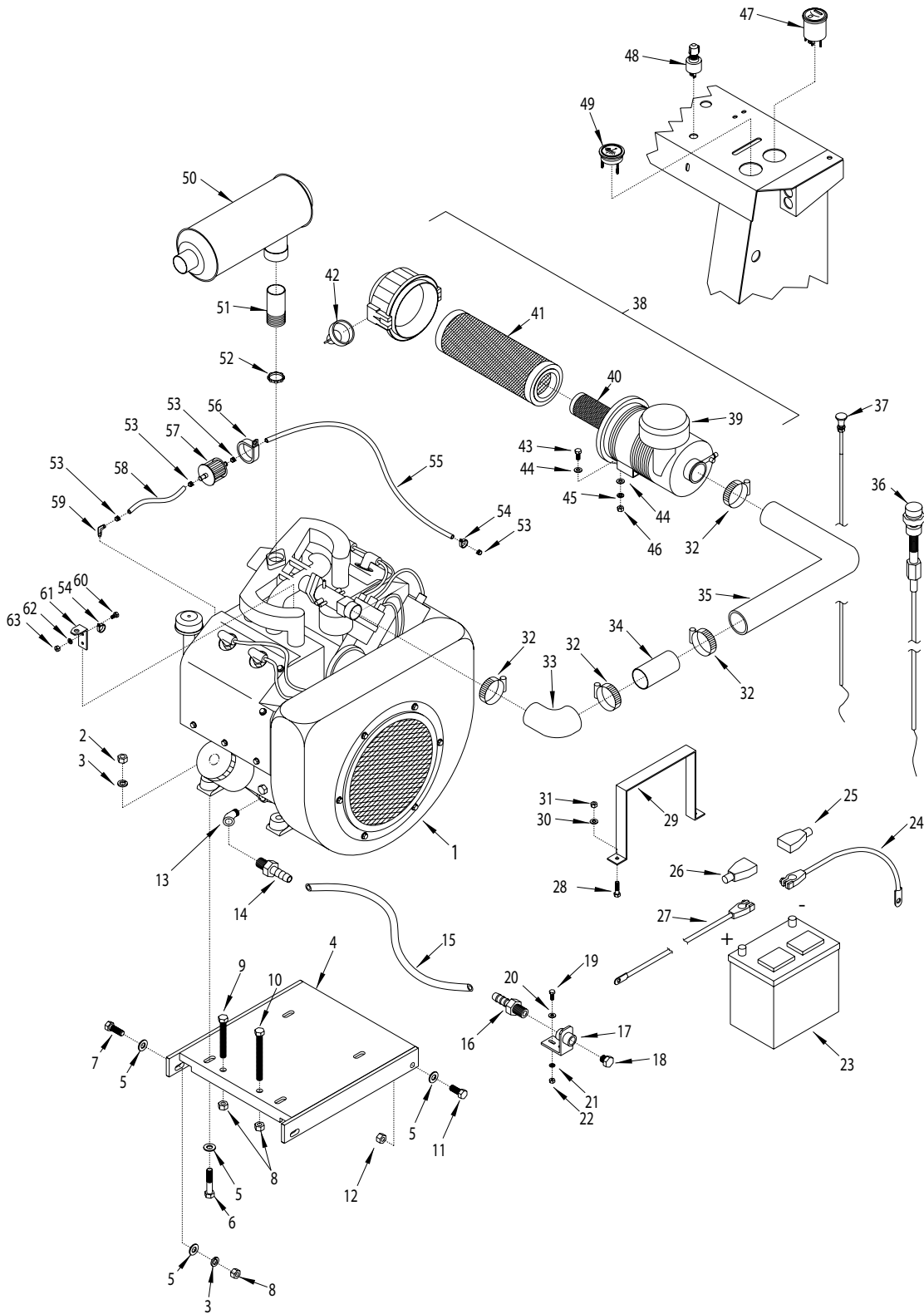
**SHEAVE (ITEM 2) REVISED OCT. 2003
STARTING WITH SERIAL #1171**

**NEW PARTS:
#61315 - SHEAVE 4.75"OD 6GR.3V TAPER-LOCK
#61316 - BUSHING, TAPER-LOCK 2517 1-7/16"B**

ITEM#	PART#	DESCRIPTION	QTY.
1	10118	KEY, 3/8 SQUARE x 2-1/4	1
2	10514	SHEAVE 4.8"OD x 6 Gr. 3Vx 1-7/16" BORE	1
3	10243	BELT 3VX-530 COG (SINGLE)	6
4	10510	SHEAVE 2.8" OD x 6 Gr. 3V x 1-7/16" BORE	1
5	10074	KEY, 3/8 SQUARE x 3-1/2"	1
6	10531	BUSHING, SHEAVE TAPER-LOCK x 1-7/16" BORE	1
7	10528	SHEAVE 4.15"OD x 1 Gr.AB TAPER-LOCK	1
8	61308	BELT AP-41	1
9	10336	SCREW, CAP 3/8-24 x 2-1/4	1
10	50115	PULLEY, IDLER 3"OD x 1Gr.AB x 3/8 BEARING	1
11	10113	SPACER, 9/16"OD x 3/8"ID x 7/32	1
12	10004	NUT, LOCK 3/8-24	2
13	10025	WASHER, FLAT 3/8	1
14	61227	BRACKET, IDLER ARM	1
15	10312	WASHER, FLAT 1/2	6
16	41045	SPACER 3/4"OD x 1/2"ID x 5/8"L	1
17	10205	NUT, LOCK 1/2-20	1



ILLUSTRATION #7:ENGINE GROUPING



PARTS LISTING - ILLUSTRATION #7 :ENGINE GROUPING

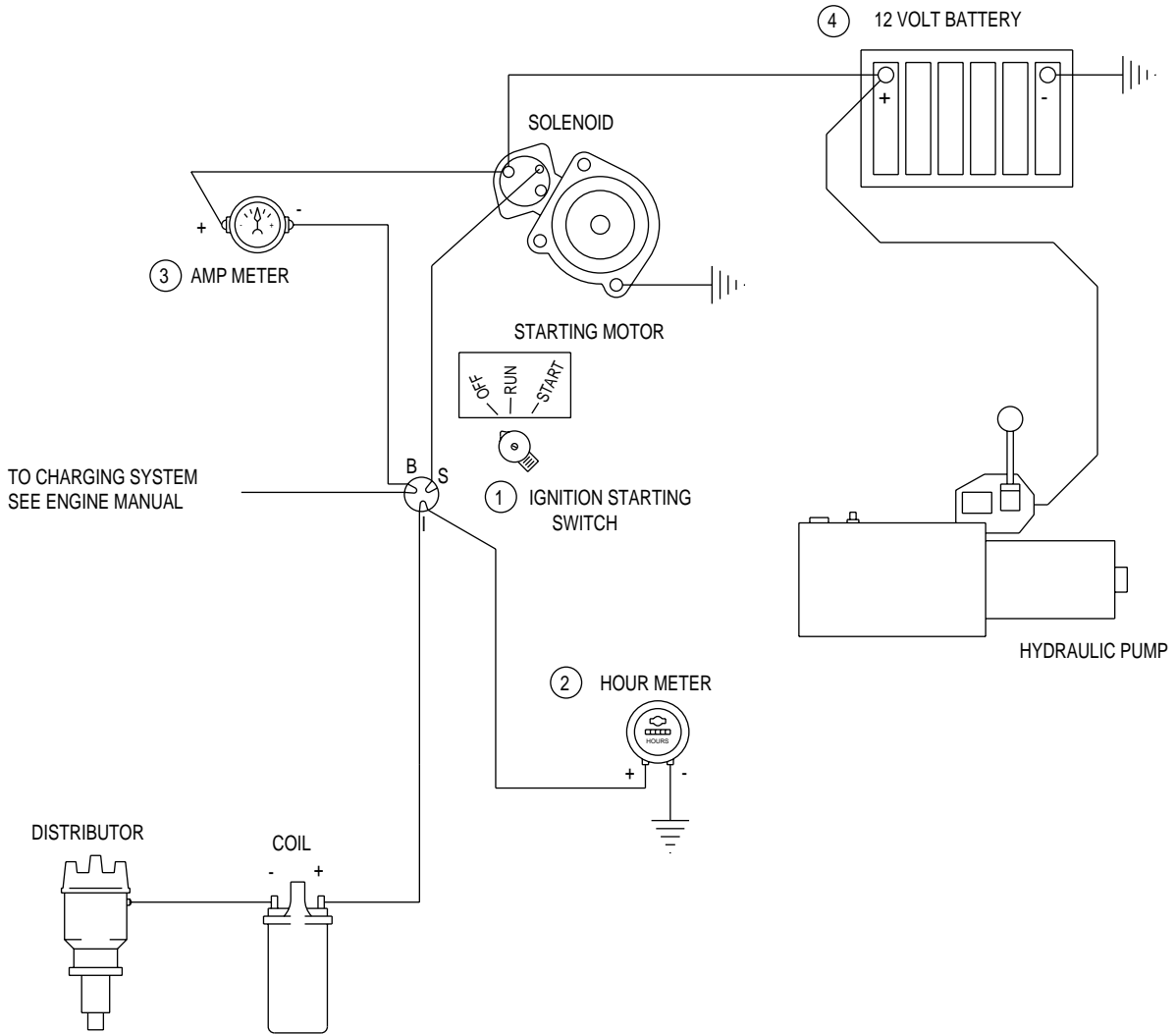
ITEM#	PART#	DESCRIPTION	QTY.	ITEM#	PART#	D E -
1	31401	ENGINE, WISCONSIN 35 HP W4-1770	1	DESCRIPTION	QTY.	
2	10072	NUT 1/2-20	4	39	15143	PRECLEANER, AIR FILTER 1
3	10045	WASHER, LOCK 1/2	6	40	15142	SAFETY ELEMENT, AIR FILTER 1
4	61301	MOUNT, ENGINE, CPU-12 35W	1	41	15141	PRIMARY ELEMENT, AIR FILTER 1
5	10312	WASHER, FLAT 1/2	10	42	15144	DUCKBILL DRAIN 1
6	10343	SCREW, CAP 1/2-20 x 2-1/2	4	43	10053	SCREW, CAP 5/16-18 x 3/4 2
7	10356	SCREW, CAP 1/2-13 x 1-1/2	2	44	10213	WASHER, FLAT 5/16 4
8	10417	NUT 1/2-13	4	45	10801	WASHER, LOCK 5/16 2
9	10392	BOLT, TAP 1/2-13 x 4(FULL THD.)	1	46	10054	NUT 5/16-18 2
10	10373	BOLT, TAP 1/2-13 x 5(FULL THD.)	1	47	10637	METER, HOUR 2-1/16" 1
11	10321	SCREW, CAP 1/2-20 X 1-1/4	2	48	10632	SWITCH, IGNITION STARTER, LEVER TYPE 1
12	10205	NUT, LOCK 1/2-20	2	49	10631	METER, 30 AMP 1
13	10752	ELBOW, STREET 3/8NPT x 45°(BLACK)	1	50	10622	MUFFLER, WD-72 1
14	50554	BARB, PUSH ON 1/2" HOSE x 3/8MPT	1	51	10623	PIPE, MUFFLER 1-1/4"NPT x 3" 1
15	61309	HOSE, PUSH ON 1/2"ID x 14"L	1	52	10720	CONDUIT LOCK NUT, 1-1/4NP 1
16	80061	BARB, PUSH ON 1/2" HOSE x 1/2 MPT	1	53	10762	CLAMP, HOSE, SPRING TYPE 3/8" (GREEN) 4
17	57159	BRACKET, OIL DRAIN	1	54	11565	CLAMP, LOOM 5/8"-SIZE 10 2
18	50552	PLUG, PIPE 1/2 NPT(BRASS)	1	55	61311	HOSE, FUEL 1/4"ID x 26"L 1
19	10018	SCREW, CAP 1/4-20 x 3/4	1	56	11566	CLAMP, LOOM 1-3/4"-SIZE 28 1
20	10602	WASHER, FLAT 1/4	1	57	15116	FILTER, FUEL 1/4" IN LINE 1
21	10038	WASHER, LOCK 1/4	1	58	61312	HOSE, FUEL 1/4"ID x 13"L 1
22	10013	NUT 1/4-20	1	59	10771	BARB, ELBOW 90° 1/4" HOSE x 1/8" MPT 1
23	50321	BATTERY 12VOLT/400CCA (POST TERMINALS)	1	60	10834	SCREW, CAP 1/4-20 x 1/2 1
24	50323B	CABLE, BATTERY 4GA. x 12"(BLACK)	1	61	50429	BRACKET, THROTTLE CABLE MOUNTING 1
25	10929	INSULATOR, BAT, TERM. NEG.(BLACK)	1	62	10602	WASHER, FLAT 1/4 1
26	10928	INSULATOR, BAT, TERM. POS.(RED)	1	63	10015	NUT, LOCK 1/4-20 1
27	61310	CABLE, BATTERY 4GA. x 17"L(RED)	1			
28	10606	SCREW, CAP 5/16-18 x 1-1/4	2			
29	61241	CLAMP, BATTERY HOLD DOWN	1			
30	10213	WASHER, FLAT 5/16	2			
31	10807	NUT, LOCK 5/16-18	2			
32	10745	CLAMP, HOSE, SIZE 36, ADJ. UP TO 2-3/4"	4			
33	10638	HOSE ELBOW, REDUCER, 2" TO 1-3/4"	1			
34	50545	PIPE 2"OD x 4"L, AIR CLEANER	1			
35	50537	HOSE ELBOW, AIR FILTER 2"ID	1			
36	50560	CABLE, VERNIER ADJ. LOCKING CONTROL 6 FT (CUT TO FIT)	1			
37	15129	CABLE, CHOKE CONTROL 72" (CUT TO FIT)	1			
38	15140	AIR CLEANER ASSEMBLY, 35HP WISC. (INCLUDES ITEMS 39-42)	1			



100 Thomas Johnson Drive, Frederick, MD 21702-4600 USA
 Phone (301) 663-1600 • 1-800-638-3326
 Fax (301) 663-1607 • 1-800-447-3326
 Website: www.edcoinc.com • Email: sales@edcoinc.com

Printed in USA
 ©2000

ILLUSTRATION #8: WIRING DIAGRAM



ITEM#	PART#	DESCRIPTION	QTY.
1	10632	SWITCH, IGNITION STARTER, LEVER TYPE	1
2	10637	METER, HOUR 2-1/16"	1
3	10631	METER, 30AMP	1
4	50321	BATTERY, 12VOLT/400 C.C.A.	1

LIMITED EQUIPMENT WARRANTY OF SALE - TERMS & CONDITIONS

Equipment Development Company, Inc. herein referred to as EDCO (Seller) warrants that each new unit manufactured by EDCO to be free from defects in material and workmanship in normal use and service for a period of (1) one year (except for the cutter drum assembly on all model concrete/asphalt planes, in which case the warranty period shall be 90 days) from date of shipment to the original retail or equipment rental center owner.

Accessories or equipment furnished and installed on the product by EDCO but manufactured by others, including, but not limited to engines, motors, electrical components, transmissions etc., shall carry the accessory manufacturers own warranty.

EDCO will, at its option, repair or replace, at the EDCO factory or at a point designated by EDCO, any part which shall appear to the satisfaction of EDCO inspection to have been defective in material or workmanship.

EDCO reserves the right to modify, alter and improve any part or parts without incurring any obligation to replace any part or parts previously sold without such modified, altered or improved part or parts.

This warranty is in lieu of and excludes all other warranties, expressed, implied, statutory, or otherwise created under applicable law including, but not limited to the warranty of merchantability and the warranty of fitness for a particular purpose in no event shall seller or the manufacturer of the product be liable for special, incidental, or consequential damages, including loss of profits, whether or not caused by or resulting from the negligence of seller and/or the manufacturer of the product unless specifically provided herein. In addition, this warranty shall not apply to any products or portions thereof which have been subjected to abuse, misuse, improper installation, maintenance, or operation, electrical failure or abnormal conditions and to products which have been tampered with, altered, modified, repaired, reworked by anyone not approved by seller or used in any manner inconsistent with the provisions of the above or any instructions or specifications provided with or for the product.

FORCE MAJEURE

Seller's obligation hereunder are subject to, and Seller shall not be held responsible for, any delay or failure to make delivery of all or any part of the Product due to labor difficulties, fires, casualties, accidents, acts of the elements, acts of God, transportation difficulties, delays by a common carrier, inability to obtain Product, materials or components or qualified labor sufficient to timely perform part of or all of the obligations contained in these terms and conditions, governmental regulations or actions, strikes, damage to or destruction in whole or part of manufacturing plant, riots, terrorist attacks or incidents, civil commotions, warlike conditions, flood, tidal waves, typhoon, hurricane, earthquake, lightning, explosion or any other causes, contingencies or circumstances within or without the United States not subject to the Seller's control which prevent or hinder the manufacture or delivery of the Products or make the fulfillment of these terms and conditions impracticable. In the event of the occurrence of any of the foregoing, at the option of Seller, Seller shall be excused from the performance under these Terms and Conditions, or the performance of the Seller shall be correspondingly extended.

This document sets forth the terms and conditions pursuant to which the purchaser ("Purchaser") will purchase and Equipment Development Co. Inc. ("Seller") will sell the products, accessories, attachments (collectively the Products ") ordered by the Purchaser. These terms and conditions shall govern and apply to the sale of Seller's Products to Purchaser, regardless of any terms and conditions appearing on any purchase order or other forms submitted by Purchaser to Seller, or the inconsistency of any terms therein and herein.

1. PRICE

All prices set forth on any purchase order or other document are F.O.B. Sellers facility or distribution point, as may be determined by Seller (F.O.B. Point). All prices are exclusive of any and all taxes, including, but not limited to, excise, sales, use, property or transportation taxes related to the sale or use of the Products, now or hereafter imposed, together with all penalties and expenses. Purchaser shall be responsible for collecting and/or paying any and all such taxes, whether or not they are stated in any invoice for the Products. Unless otherwise specified herein, all prices are exclusive of inland transportation, freight, insurance and other costs and expenses relating to the shipment of the Products from the F.O.B. point to Purchaser's facility. Any prepayment by Seller of freight insurance and other costs shall be for the account of Purchaser and shall be repaid to Seller.

2. PAYMENT TERMS

Payment terms are as follows. 2% 10 days (to approved and qualified accounts). Net 30 days. This is a cash discount for invoices paid within 10 days after the invoice date, regardless of date of receipt of shipment. This is not a trade discount and will not be granted to accounts that do not adhere to stated terms.

*All past due accounts are subject to a late payment fee of 1.5% per month or a maximum allowed by law if different, along with the expenses incidental to collection including reasonable attorney's fees and costs.

*Seller reserves the right to hold shipments against past due accounts.

*Seller reserves the right to alter payment terms.

3. FREIGHT TERMS

All shipments will be made F.O.B. shipping point as designated in these Terms and Conditions, and title shall pass at the F.O.B. point. Delivery to the initial common carrier shall constitute delivery to the Purchaser. Any claims for loss or damage during shipment are to be filed with carrier by the Purchaser. Seller will not assume responsibility for the performance of the carrier.

Back orders will be shipped in the most practical fashion with charges consistent with our freight policy established with the original order. UPS, FED EX, MAIL or shipments by other couriers are subject to the same terms and conditions as outlined in paragraph #3 "Freight Terms".

4. DELIVERY, DAMAGES, SHORTAGES

Seller shall use reasonable efforts to attempt to cause the Products to be delivered as provided for in these Terms & Conditions. Delivery to the initial common carrier shall constitute the delivery to the Purchaser. Seller's responsibility, in so far as transportation risks are concerned ceases upon the delivery of the Products in good condition to such carrier at the F.O.B. point and all the Products shall be shipped at the Purchaser's risk. Seller shall not be responsible or liable for any loss of income and/or profits, or incidental, special, consequential damages resulting from Seller's delayed performance in shipment and delivery.

5. RETURN OF DEFECTIVE PRODUCTS

Defective or failed material shall be held at the Purchaser's premises until authorization has been granted by Seller to return or dispose of Products. Products that are to be returned for final inspection must be returned Freight Prepaid in the most economical way. Credit will be issued for material found to be defective upon Seller's inspection based on prices at time of purchase.

6. PRODUCTS ORDERED IN ERROR

Products may be returned, provided that claim is made and Seller is notified within 7 days of receipt of Products, and the Products are in original buyer's possession not more than 30 days prior to return, subject to Seller's approval. If Products are accepted for return, they must be Freight Prepaid and buyer will be charged a minimum of 15% restocking charge, plus a charge back for outbound freight charges if the original order was shipped prepaid. Returns are not accepted for any Products that are specifically manufactured to meet the buyer's requirement of either specifications or quantity.

AGREEMENTS

These Terms and Conditions constitute the entire agreement between Seller and Purchaser as it relates to terms and conditions of sale, and supersedes any and all prior oral or written agreements, correspondence, quotations or understandings heretofore in force between the parties relating to the subject matter hereof. There are no agreements between Seller and Purchaser with respect to the Product herein except those specifically set forth in and made part of these terms and conditions. Any additional terms, conditions and/or prices are rejected by Seller.

These terms and conditions may be modified, cancelled or rescinded only by a written agreement of both parties executed by their duly authorized agents.

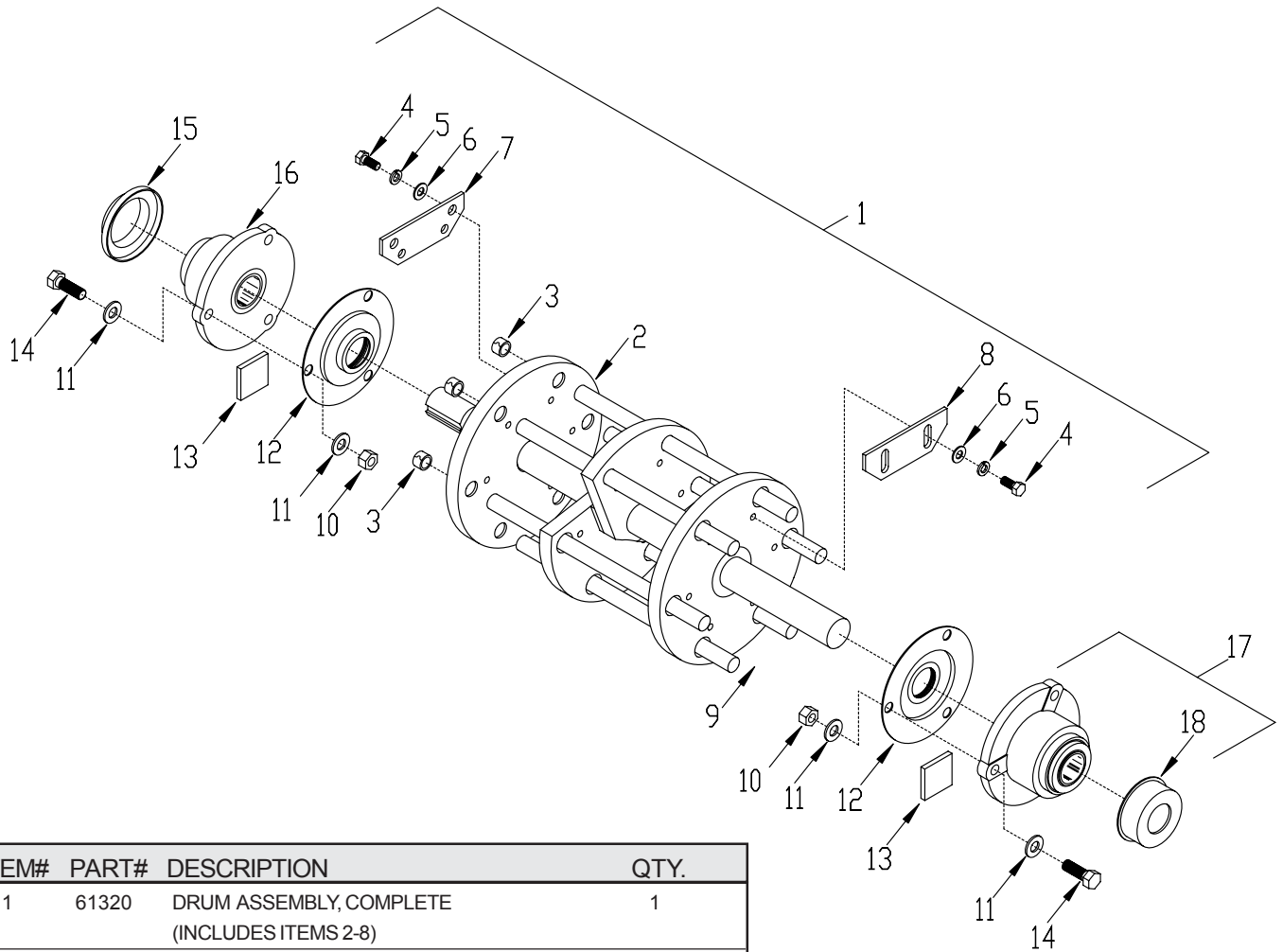
USE ONLY GENUINE EDCO PARTS & ACCESSORIES
For your own safety, the safety of others and the life of your machine.

Equipment Development Company, Inc.



CPU-12 CUTTER DRUM ASSEMBLY

(REVISED JUNE 2005, STARTING SERIAL #1180)



ITEM#	PART#	DESCRIPTION	QTY.
1	61320	DRUM ASSEMBLY, COMPLETE (INCLUDES ITEMS 2-8)	1
2	61321	DRUM ONLY	1
3	84063	BUSHING, DRUM, HARDENED STEEL 3/4"ID	18
4	10912	SCREW, CAP 3/8-16 x 7/8 (GRADE 8)	12
5	10811	WASHER, LOCK 3/8	12
6	10025	WASHER, FLAT 3/8	12
7	61249	RETAINING PLATE, CUTTER SHAFT, 4-HOLE	3
8	61234	RETAINING PLATE, CUTTER SHAFT, 2-SLOT	3
9	20010	CP412 SHAFT 3/4 X 13-5/8	6
10	10205	NUT, LOCK 1/2-20	6
11	10312	WASHER, FLAT 1/2	12
12	61238	BEARING DUST SHIELD W/SEAL	2
13	61239	RUBBER SEAL, 1-3/4"SQ.	2
14	10308	SCREW, CAP 1/2-20 x 1-1/2	6
15	61247	BEARING STEEL FLINGER	1
16	61236	BEARING, ROLLER 1-1/2" 3-HOLE, FB22424EH DRIVE SIDE	1
17	61235	BEARING, ROLLER 1-1/2" 3-HOLE, FB22424EHC OPP. DRIVE SIDE, INCLUDES STEEL CAP-ITEM 18	1
18	61237	BEARING STEEL CAP	1



100 Thomas Johnson Drive, Frederick, MD 21702-4600 USA
 Phone (301) 663-1600 • 1-800-638-3326
 Fax (301) 663-1607 • 1-800-447-3326
 Website: www.edcoinc.com • Email: sales@edcoinc.com

Printed in USA
 ©2005