

REVISED STARTING
SERIAL #161110001

PARTS LIST MANUAL

MODELS 2EC-NG & 2GC-NG



ELECTRIC MODEL



GASOLINE MODEL



MAGNA-TRAP™ DUAL-DISC FLOOR GRINDERS

| SKU # | MODEL # | POWER OPTION |
|-------|--------------|---|
| 59200 | 2EC-NG-1.5 | BALDOR ELECTRIC MOTOR 1.5HP 60Hz 1-PHASE 115/230V |
| 59500 | 2EC-NG-2B/50 | BALDOR ELECTRIC MOTOR 2HP 50Hz 1-PHASE 110/220V |
| 59600 | 2EC-NG-3B | BALDOR ELECTRIC MOTOR 3HP 60Hz 1-PHASE 230V |
| 59300 | 2GC-NG-11H | HONDA GASOLINE ENGINE MODEL GXV340 |



EQUIPMENT DEVELOPMENT COMPANY, INC.

100 Thomas Johnson Drive, Frederick, MD 21702-4600 USA
 Phone: 800-638-3326 or 301-663-1600 • Fax: 800-447-3326 or 301-663-1607
 Website: www.edcoinc.com • E-mail: sales@edcoinc.com

Printed in USA

JWA ©2016

READ AND UNDERSTAND THE OPERATORS INSTRUCTION MANUAL THOROUGHLY BEFORE ATTEMPTING TO OPERATE THIS EQUIPMENT.



Death or serious injury could occur if this machine is used improperly.



SAFETY MESSAGES

- Safety Instructions are preceded by a graphic alert symbol of DANGER, WARNING, or CAUTION.

DANGER

Indicates an imminent hazard which, if not avoided, will result in death or serious injury.

WARNING

Indicates an imminent hazard which, if not avoided, can result in death or serious injury.

CAUTION

Indicates hazards which, if not avoided, could result in serious injury and or damage to the equipment.

GASOLINE/PROPANE POWERED EQUIPMENT

WARNING

- Engine exhaust from this product contains chemicals known to the State of California to cause cancer, birth defects or other reproductive harm.



- Gasoline is extremely flammable and poisonous. It should only be dispensed in well ventilated areas, and with a cool engine.

- Small gasoline engines produce high concentrations of carbon monoxide (CO) example: a 5 HP 4 cycle engine operation in an enclosed 100,000 cu. ft. area with only one change of air per hour is capable of providing deadly concentrations of CO in less than fifteen minutes. Five changes of air in the same area will produce noxious fumes in less than 30 minutes. Gasoline or propane powered equipment should not be used in enclosed or partially enclosed areas. Symptoms of CO poisoning include, headache, nausea, weakness, dizziness, visual problems and loss of consciousness. If symptoms occur - get into fresh air and seek medical attention immediately.

ELECTRICAL POWERED EQUIPMENT



Extreme care must be taken when operating electric models with water present: Ensure power cord is properly grounded, is attached to a Ground-Fault-Interrupter (GFI) outlet, and is undamaged.

- Check all electrical cables - be sure connections are tight and cable is continuous and in good condition. Be sure cable is correctly rated for both the operating current and voltage of this equipment.
- Improper connection of the equipment-grounding conductor can result in a risk of electric shock. Check with qualified electrician or service person if there is any doubt as to whether the outlet is properly grounded. Adhere to **all** local codes and ordinances.
- **NOTE:** In the event of a malfunction or breakdown, grounding provides a path of least resistance for the electric current to dissipate. The motor is equipped with a grounded plug and must be connected to an outlet that is properly installed and properly grounded. **DO NOT** modify the plug provided on the motor. If the plug does not fit the outlet have a qualified electrician install the proper receptacle.
- Switch motor OFF **before** disconnecting power.

- Do not disconnect power by pulling cord. To disconnect, grasp the plug, not the cord.
- Unplug power cord at the machine when not in use and before servicing.

GENERAL INSTRUCTIONS

- Equipment should only be operated by trained personnel in good physical condition and mental health (not fatigued). The operator and maintenance personnel must be physically able to handle the bulk weight and power of this equipment.
- This is a one person tool. Maintain a safe operating distance to other personnel. It is the **operators' responsibility** to keep other people (workers, pedestrians, bystanders, etc.) away during operation. Block off the work area in all directions with roping, safety netting, etc. for a safe distance. Failure to do so may result in others being injured by flying debris or exposing them to harmful dust and noise.
- This equipment is intended for commercial use only.
- For the operator's safety and the safety of others, always keep all guards in place during operation.
- Never let equipment run unattended.



- Personal Protection Equipment and proper safety attire must be worn when operating this machinery. The operator must wear approved safety equipment appropriate for the job such as hard hat and safety shoes when conditions require. Hearing protection **MUST** be used (operational noise levels of this equipment may exceed 85db). Eye protection **MUST** be worn at all times.



Keep body parts and loose clothing away from moving parts. Failure to do so could result in dismemberment or death.

- Do not modify the machine.
 - Stop motor/engine when adjusting or servicing this equipment.
- Maintain a safe operating distance from flammable materials. Sparks from the cutting-action of this machine can ignite flammable materials or vapors.

DUST WARNING

WARNING

Some dust created by power sanding, sawing, grinding, drilling, and other construction activities contains chemicals known to cause cancer, birth defects, or other reproductive harm. Some examples of these chemicals are:

- Lead from lead-based paints, and
- Crystalline silica from bricks and concrete and other masonry products.

Your risk of exposure to these chemicals varies depending on how often you do this type of work. To reduce your risk: work in a well ventilated area, use a dust control system, such as an industrial-style vacuum, and wear approved personal safety equipment, such as a dust/particle respirator designed to filter out microscopic particles.

PARTS LIST MANUAL

MODELS 2EC-NG & 2GC-NG

MAGNA-TRAP™ DUAL-DISC FLOOR GRINDERS

TABLE OF CONTENTS

| <u>Section</u> | <u>Pages</u> |
|---|----------------|
| Safety Messages and General Instructions | 2 |
| How To Order Replacement Parts | 3 |
| Illustration 1: Frame Grouping | 4, 5 |
| Illustration 2: Locking Lever Grouping | 6, 7 |
| Illustration 3: Skirt, Vacuum Port & Water Hook-Up Grouping | 8, 9 |
| Illustration 4: Gear Case Grouping | 10, 11 |
| Illustration 5: 10" Magna-Trap™ Disc Assembly | 12 |
| Illustration 6: Optional Diamond Disc Adapter | 13 |
| Illustration 7: Motor & Belt Drive Grouping for 1.5 HP 60Hz Units | 14, 15 |
| Illustration 8: Motor & Belt Drive Grouping for 2 HP 50Hz Units | 16, 17 |
| Illustration 9: Motor & Belt Drive Grouping for 3 HP 60Hz Units | 18, 19 |
| Illustration 10: Engine & Belt Drive Grouping for Honda GXV340. | 20, 21 |
| Wiring Diagram for Rotary Cam Switch | 22 |
| Wiring Diagram for ACI Starter | 23 |
| Wiring Diagram for Baldor L3514TM Motor (Model 2EC-NG-1.5) | 24 |
| Wiring Diagram for Baldor L3605T-50 Motor (Model 2EC-NG-2B/50) | 25 |
| Wiring Diagram for Baldor L3609TM Motor (Model 2EC-NG-3B) | 26 |
| Wiring Diagram for Honda GXV340 | 27 |
| Decal Sheets | 28, 29 |
| Blank Page | 30 |
| Notes | 31 |
| Limited Equipment Warranty of Sale - Terms & Conditions | 32 (Back Page) |

HOW TO ORDER REPLACEMENT PARTS

- To insure product safety and reliability, always use genuine EDCO replacement parts when making repairs to the equipment.
- When calling for parts, specify the MODEL and SERIAL number of the machine, which can be found on the NAME PLATE. Keep that information in the space provided. In addition to this information, give part number, description, and quantity as listed on the parts list to your parts representative.
- Please note: Due to improvements and changes in the equipment, the illustrations shown may be different than the actual machine.

FILL IN INFORMATION BELOW

Date of Purchase _____

Model # _____

Serial # _____

SKU # _____



EQUIPMENT DEVELOPMENT COMPANY, INC.

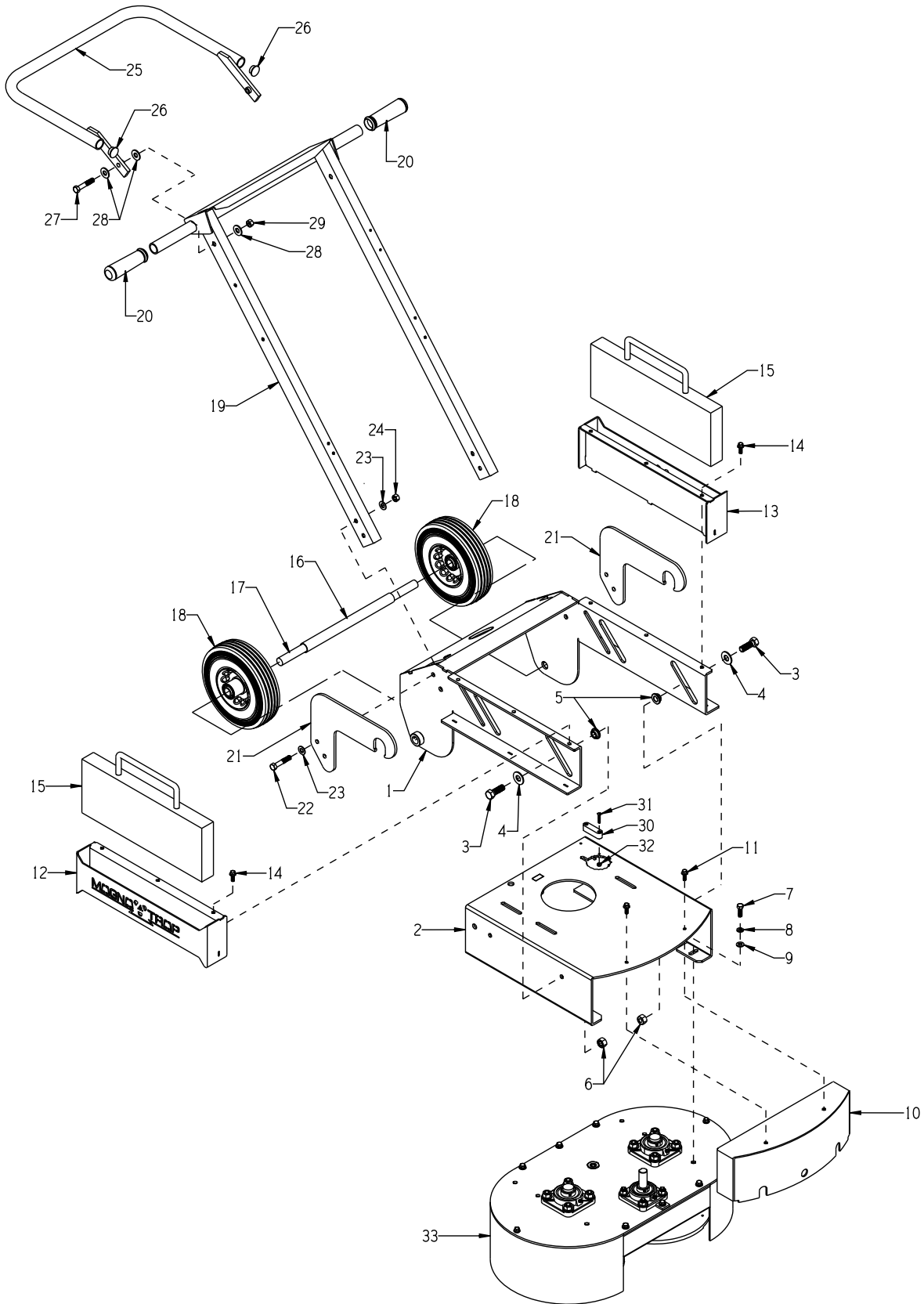
100 Thomas Johnson Drive, Frederick, MD 21702-4600 USA
 Phone: 800-638-3326 or 301-663-1600 • Fax: 800-447-3326 or 301-663-1607
 Website: www.edcoinc.com • E-mail: sales@edcoinc.com

Printed in USA

JWA ©2016

Page 3

ILLUSTRATION 1: FRAME GROUPING



| PARTS LISTING - ILLUSTRATION 1: FRAME GROUPING | | | |
|---|---------------|---|-------------|
| ITEM # | PART # | DESCRIPTION | QTY. |
| 1 | 77601 | OUTER FRAME | 1 |
| 2 | 77602 | ENGINE/MOTOR DECK | 1 |
| 3 | 10308 | SCREW, CAP 1/2-20 X 1-1/2 | 4 |
| 4 | 77623 | WASHER, FLAT 1/2" SILICON BRONZE | 4 |
| 5 | 77622M | FLANGED-SLEEVE, BRONZE (MODIFIED) | 4 |
| 6 | 10154 | NUT, HEX NYLON LOCK 1/2-20 ZINC | 4 |
| 7 | 10806 | SCREW, CAP 5/16-18 X 1 | 6 |
| 8 | 10801 | WASHER, LOCK 5/16 ZINC | 6 |
| 9 | 10213 | WASHER, FLAT 5/16 SAE ZINC | 6 |
| 10 | 77603 | HOOD | 1 |
| 11 | 11811 | BOLT, FLANGE 1/4-20 X 3/4 ZINC | 2 |
| 12 | 77617R | HOLDER RH, SIDE WEIGHT BLOCK | 1 |
| 13 | 77617L | HOLDER LH, SIDE WEIGHT BLOCK | 1 |
| 14 | 11811 | BOLT, FLANGE 1/4-20 X 3/4 ZINC | 6 |
| 15 | 77506 | WEIGHT BLOCK, 40 LB. (OPTIONAL) | 2 |
| 16 | 77605 | SPACER 11-1/4", WHEEL | 1 |
| 17 | 77606 | AXLE SHAFT 3/4 X 17-1/2 | 1 |
| 18 | 79013SH | WHEEL, STL.HUB 8 X 2-1/2 X 3/4"BRG. | 2 |
| 19 | 77607 | HANDLE BAR | 1 |
| 20 | 10608 | GRIP, HAND 1" MODEL AT | 2 |
| 21 | 77632 | LIFTING HOOK BRACKET, 2ECGC-NG | 2 |
| 22 | 10030 | SCREW, CAP 3/8-24 X 2 | 4 |
| 23 | 10025 | WASHER, FLAT 3/8 SAE ZINC | 8 |
| 24 | 10004 | NUT, HEX LOCK 3/8-24 ZINC | 4 |
| 25 | 77624 | HANDLE EXTENSION | 1 |
| 26 | 77528 | PLUG, BLACK 1"RD. TUBING 10-14 GA. | 2 |
| 27 | 10336 | SCREW, CAP 3/8-24 X 2-1/4 | 2 |
| 28 | 10025 | WASHER, FLAT 3/8 SAE ZINC | 6 |
| 29 | 10152 | NUT, HEX NYLON LOCK 3/8-24 ZINC | 2 |
| 30 | 59117 | LEVEL, SCREW ON | 1 |
| 31 | 11871 | SCREW, MACHINE FHP 8-32 X 1-1/4 | 2 |
| 32 | 10462 | NUT, KEPS LOCK 8-32 ZINC | 2 |
| 33 | ----- | GEAR CASE ASSEMBLY (REFER TO ILLUS. 4 FOR BREAKDOWN) | 1 |


EQUIPMENT DEVELOPMENT COMPANY, INC.

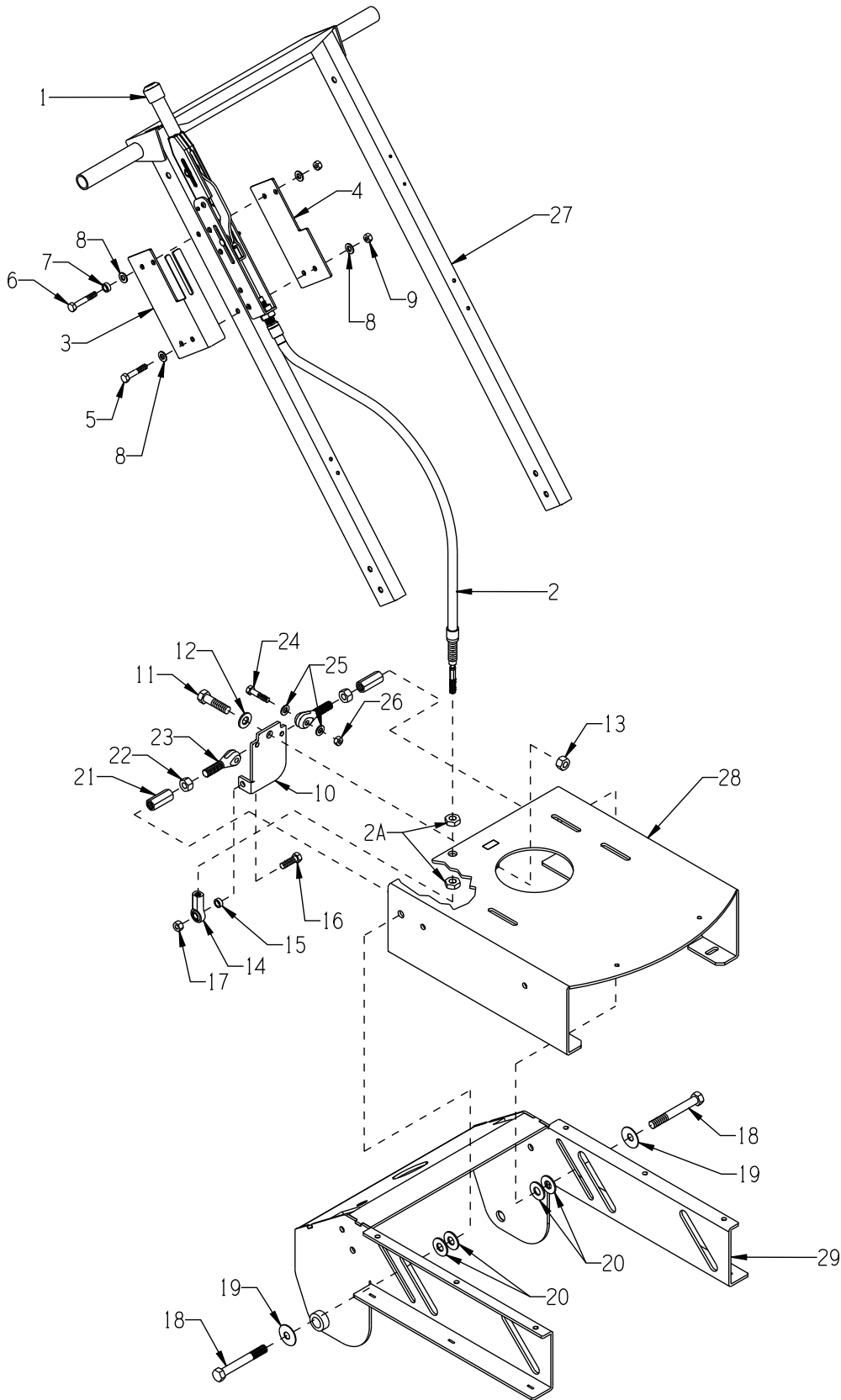
100 Thomas Johnson Drive, Frederick, MD 21702-4600 USA
 Phone: 800-638-3326 or 301-663-1600 • Fax: 800-447-3326 or 301-663-1607
 Website: www.edcoinc.com • E-mail: sales@edcoinc.com

Printed in USA

JWA ©2016

Page 5

ILLUSTRATION 2: LOCKING LEVER GROUPING



| PARTS LISTING - ILLUSTRATION 2: LOCKING LEVER GROUPING | | | |
|---|---------------|--|-------------|
| ITEM # | PART # | DESCRIPTION | QTY. |
| 1 | 77620 | LEVER, LOCKING | 1 |
| 2 | 77621 | CABLE, LOCKING LEVER | 1 |
| 2A | ----- | JAM NUT (INCLUDED W/ CABLE, ITEM 2) | 2 |
| 3 | 77609 | BRACKET 2, LOCKING LEVER | 1 |
| 4 | 77608 | BRACKET 1, LOCKING LEVER | 1 |
| 5 | 10204 | SCREW, CAP 5/16-18 X 1-3/4 | 3 |
| 6 | 10380 | SCREW, CAP 5/16-18 X 2 | 1 |
| 7 | 10113 | SPACER, STEEL 9/16OD X 3/8ID X 7/32 | 1 |
| 8 | 10213 | WASHER, FLAT 5/16 SAE ZINC | 8 |
| 9 | 10151 | NUT, HEX NYLON LOCK 5/16-18 ZINC | 4 |
| 10 | 77610 | PIVOT BRACKET, LOCKING LEVER | 1 |
| 11 | 10308 | SCREW, CAP 1/2-20 X 1-1/2 | 1 |
| 12 | 10312 | WASHER, FLAT 1/2 SAE ZINC | 1 |
| 13 | 10072 | NUT, HEX 1/2-20 ZINC | 1 |
| 14 | 10919 | ROD END, FEMALE 3/8-24 R.H. THREAD | 1 |
| 15 | 10113 | SPACER, STEEL 9/16OD X 3/8ID X 7/32 | 1 |
| 16 | 10309 | SCREW, CAP 3/8-24 X 1-1/4 ZINC | 1 |
| 17 | 10151 | NUT, HEX NYLON LOCK 5/16-18 ZINC | 2 |
| 18 | 10339 | SCREW, CAP 1/2-20 X 4 | 2 |
| 19 | 10433 | WASHER, BELLEVILLE 1/2ID X 3/32THK | 2 |
| 20 | 77623 | WASHER, FLAT 1/2" SILICON BRONZE | 4 |
| 21 | 77634 | ROD COUPLING 1/2-20 X 1-3/4 ZINC | 2 |
| 22 | 10072 | NUT, HEX 1/2-20 ZINC | 2 |
| 23 | 77633 | CLEVIS ROD END, MALE SHANK 1/2-20 | 2 |
| 24 | 10606 | SCREW, CAP 5/16-18 X 1-1/4 | 2 |
| 25 | 10213 | WASHER, FLAT 5/16 SAE ZINC | 4 |
| 26 | 10151 | NUT, HEX NYLON LOCK 5/16-18 ZINC | 2 |
| 27 | 77607 | HANDLE BAR (REFER TO ILLUS. 1, ITEM 19) | 1 |
| 28 | 77602 | ENGINE/MOTOR DECK (REFER TO ILLUS. 1, ITEM 2) | 1 |
| 29 | 77601 | FRAME, OUTER (REFER TO ILLUS. 1, ITEM 1) | 1 |


EQUIPMENT DEVELOPMENT COMPANY, INC.

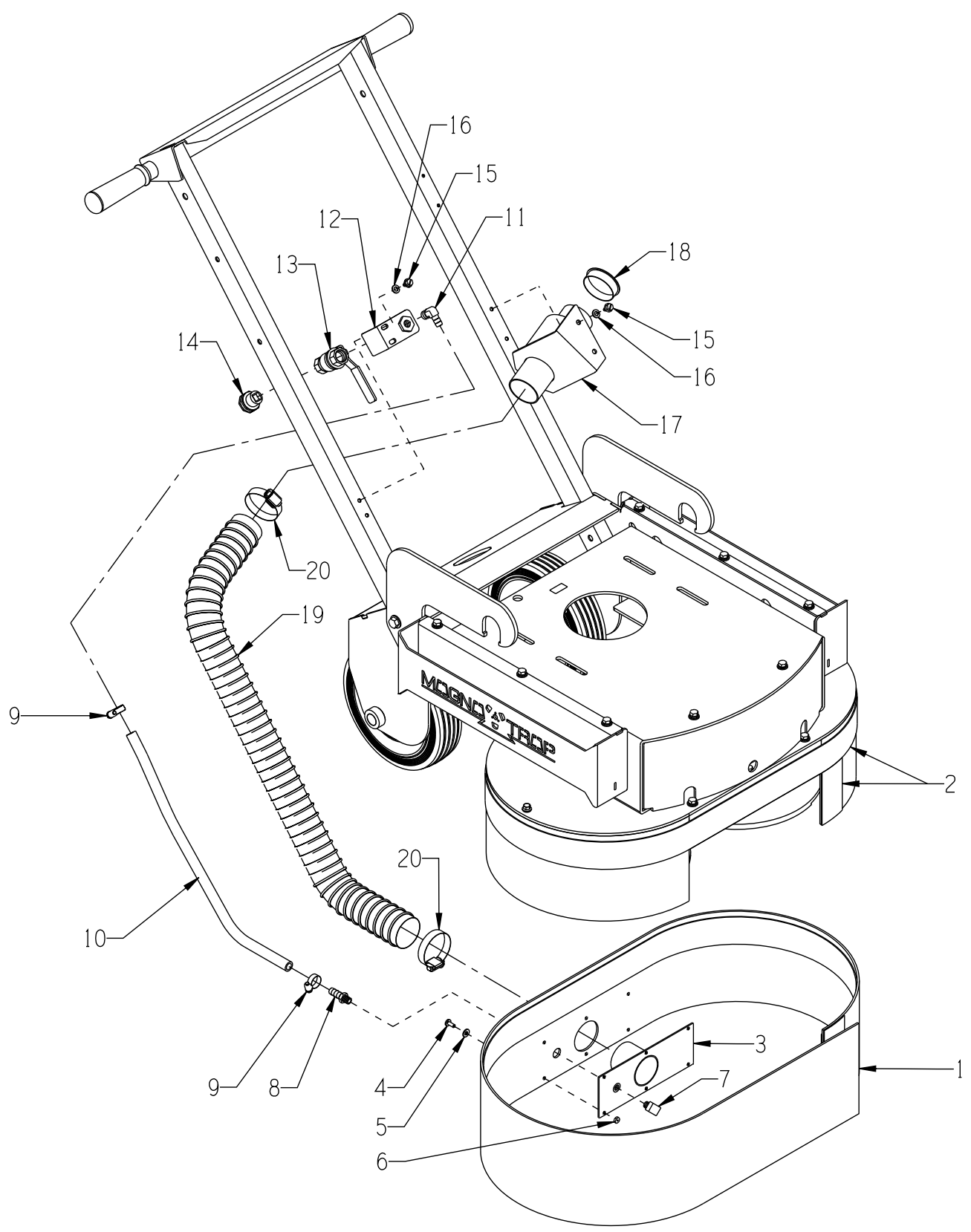
100 Thomas Johnson Drive, Frederick, MD 21702-4600 USA
 Phone: 800-638-3326 or 301-663-1600 • Fax: 800-447-3326 or 301-663-1607
 Website: www.edcoinc.com • E-mail: sales@edcoinc.com

Printed in USA

JWA ©2016

Page 7

ILLUSTRATION 3: SKIRT, VACUUM PORT & WATER HOOK-UP GROUPING



| PARTS LISTING - ILLUSTRATION 3: SKIRT, VACUUM PORT & WATER HOOK-UP GROUPING | | | |
|--|---------------|--|-------------|
| ITEM # | PART # | DESCRIPTION | QTY. |
| 1 | 77615 | RUBBER SKIRT ONLY | 1 |
| 2 | 77619 | VELCRO-HOOK ONLY 2" X 84" (TRIMMED TO SIZE) | 1 |
| 3 | 77614 | VACUUM PORT PANEL | 1 |
| 4 | 10830 | SCREW, MACHINE PPH 10-32 X 1/2 | 6 |
| 5 | 10850 | WASHER, FLAT #10 SAE ZINC | 6 |
| 6 | 10832 | NUT, KEPS LOCK 10-32 ZINC | 6 |
| 7 | 10772 | ELBOW, STREET 1/8NPT X 45 (BRASS) | 1 |
| 8 | 10694 | BARB, 3/8HOSE X 1/8MPT | 1 |
| 9 | 50069 | CLAMP, HOSE, SAE #6, ADJ. TO 13/16 | 2 |
| 10 | 56315 | HOSE, WATER 3/8"ID X 24"L | 1 |
| 11 | 10799 | BARB ELBOW 90, 3/8HOSE X 1/4MPT | 1 |
| 12 | 56022 | BRACKET, WATER VALVE | 1 |
| 13 | 10711 | VALVE, BALL 1/2 FPT | 1 |
| 14 | 80021 | CONN., SWIVEL FEM. 3/4HOSE X 1/2MPT | 1 |
| 15 | 10846 | SCREW, CAP STSHW 1/4-20 X 1/2 | 2 |
| 16 | 10038 | WASHER, LOCK 1/4 ZINC | 2 |
| 17 | 86347 | BRACKET, MULTI-VAC PORT 2-3" | 1 |
| 18 | 65021 | CAP/PLUG 2" RED PLASTIC, FLANGED | 1 |
| 19 | 77113 | HOSE, FLEX 2"ID X 32"L, GRINDERS | 1 |
| 20 | 10766 | CLAMP, HOSE, SAE #32, ADJ. TO 2-1/2 | 2 |



EQUIPMENT DEVELOPMENT COMPANY, INC.

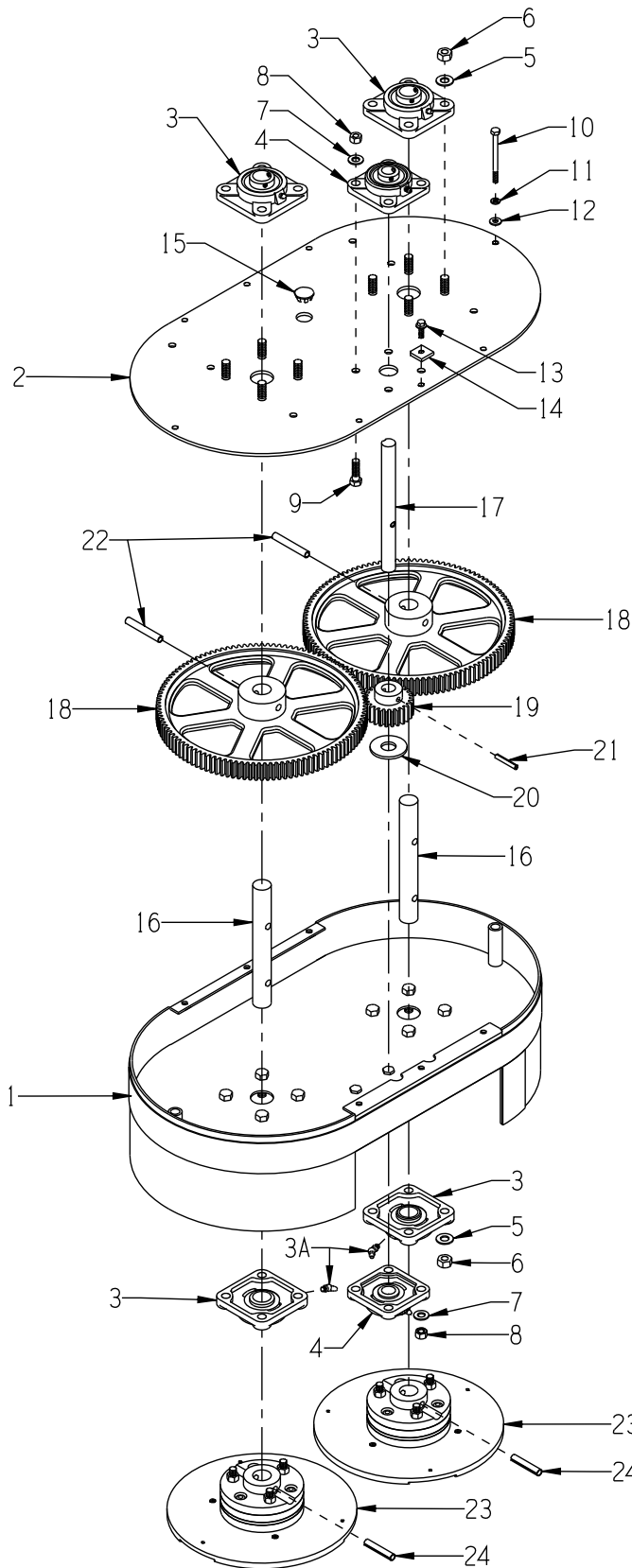
100 Thomas Johnson Drive, Frederick, MD 21702-4600 USA
 Phone: 800-638-3326 or 301-663-1600 • Fax: 800-447-3326 or 301-663-1607
 Website: www.edcoinc.com • E-mail: sales@edcoinc.com

Printed in USA

JWA ©2016

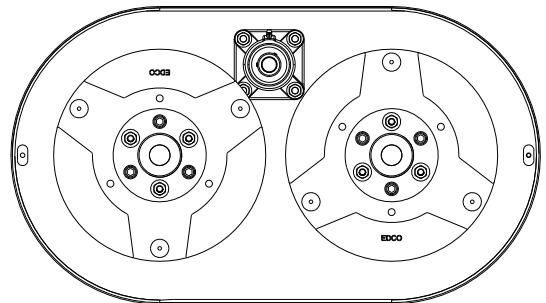
Page 9

ILLUSTRATION 4: GEAR CASE GROUPING



DISC ORIENTATION

INSTALL DISC IN OPPOSITE DIRECTIONS SO THEY WILL PASS EACH OTHER AT THE CENTER IN A ALTERNATING SEQUENCE.



BOTTOM VIEW

| PARTS LISTING - ILLUSTRATION 4: GEAR CASE GROUPING | | | |
|---|---------------|---|-------------|
| ITEM # | PART # | DESCRIPTION | QTY. |
| 1 | 77612 | GEAR CASE | 1 |
| 2 | 77613 | GEAR CASE COVER | 1 |
| 3 | 77008 | BEARING, BALL 1" 4-HOLE FLANGE, ND | 4 |
| 3A | 10960 | FITTING, GREASE 1/4-28 X 45° NOTE: A STRAIGHT FITTING IS INCLUDED WITH THE BEARINGS. THE 2 BEARINGS ON THE BOTTOM HAVE THE FITTINGS CHANGED. | 2 |
| 4 | 77009 | BEARING, BALL 3/4" 4-HOLE FLANGE | 2 |
| 5 | 10450 | WASHER, LOCK 7/16 ZINC | 16 |
| 6 | 10481 | NUT, HEX 7/16-20 ZINC | 16 |
| 7 | 10811 | WASHER, LOCK 3/8 ZINC | 8 |
| 8 | 10014 | NUT, HEX 3/8-24 ZINC | 8 |
| 9 | 10309 | SCREW, CAP 3/8-24 X 1-1/4 ZINC | 4 |
| 10 | 10475 | SCREW, CAP 1/4-20 X 3-1/4 | 2 |
| 11 | 10038 | WASHER, LOCK 1/4 ZINC | 2 |
| 12 | 10602 | WASHER, FLAT 1/4 SAE ZINC | 2 |
| 13 | 11811 | BOLT, FLANGE 1/4-20 X 3/4 ZINC | 6 |
| 14 | 77631 | HOOD SPACER | 1 |
| 15 | 10005 | PLUG, HOLE 7/8" BRIGHT ZINC | 1 |
| 16 | 77013 | SHAFT, LARGE GEAR 1"DIA X 7-13/16"L | 2 |
| 17 | 77626 | SHAFT, PINION GEAR 3/4DIA X 8-3/8"L | 1 |
| 18 | 77012 | GEAR, SPUR 112 TOOTH (DRIVEN) | 2 |
| 19 | 77053 | GEAR, SPUR 25 TOOTH (PINION) | 1 |
| 20 | 10009 | WASHER, FLAT 3/4 SAE ZINC | 1 |
| 21 | 10037 | PIN, ROLL 1/4 X 1-1/2 | 1 |
| 22 | 10007 | PIN, ROLL 3/8 X 2-1/2 | 2 |
| 23 | 86391A | 10" MAGNA-TRAP DISC ASSY. W/ HUB (REFER TO ILLUS. 5 FOR BREAKDOWN) | 2 |
| 24 | 10063 | PIN, ROLL 3/8 X 2 | 2 |



EQUIPMENT DEVELOPMENT COMPANY, INC.

100 Thomas Johnson Drive, Frederick, MD 21702-4600 USA
 Phone: 800-638-3326 or 301-663-1600 • Fax: 800-447-3326 or 301-663-1607
 Website: www.edcoinc.com • E-mail: sales@edcoinc.com

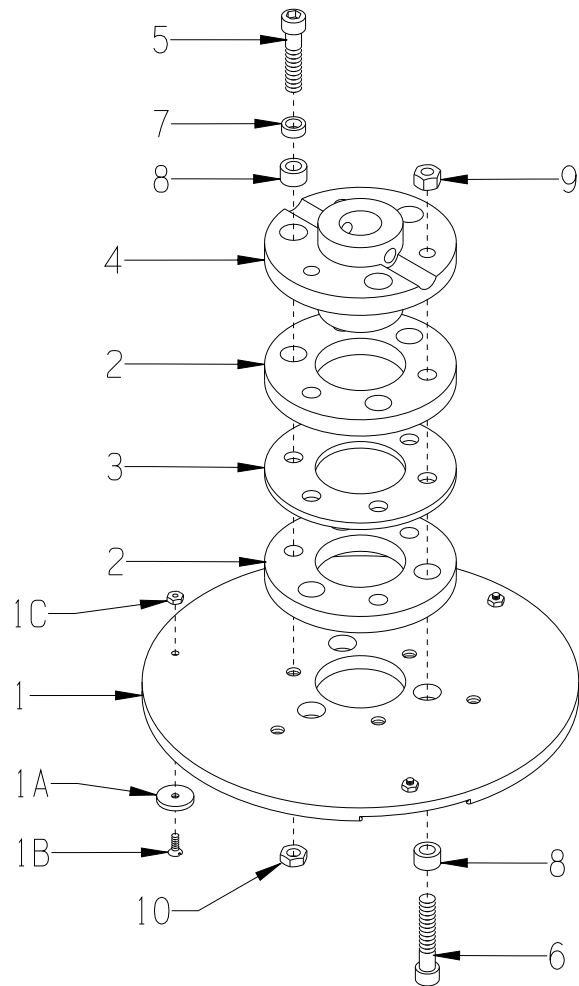
Printed in USA

JWA ©2016

Page 11

**ILLUSTRATION 5:
10" MAGNA-TRAP™ DISC ASSEMBLY**

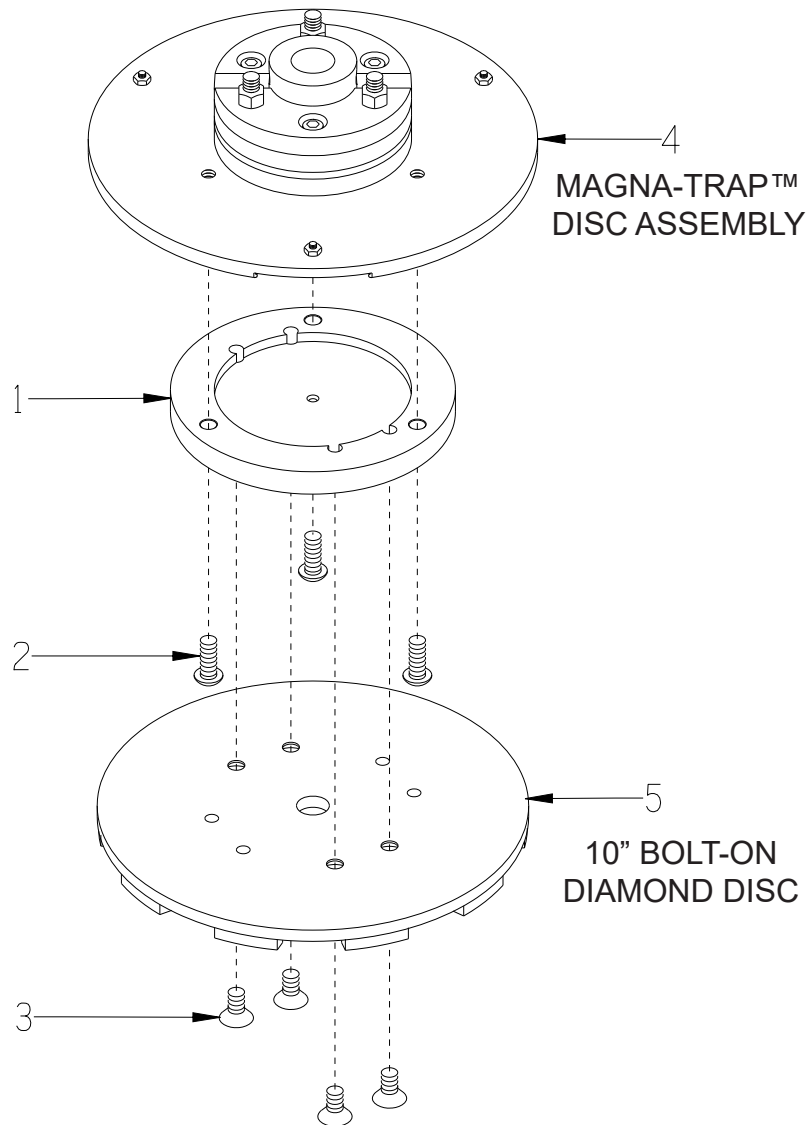
PART # 86391A



* QUANTITIES ARE PER EACH DISC ASSEMBLY.
THERE ARE 2 DISC ASSEMBLIES PER MACHINE.

| ITEM # | PART # | DESCRIPTION | QTY.* |
|--------|--------|--|-------|
| 1-10 | 86391A | 10" MAGNA-TRAP DISC ASSY. W/ HUB (INCLUDES ALL ITEMS 1 THRU 10) | 1 |
| 1 | 86391 | 10" MAGNA-TRAP DISC W/ MAGNETS (INCLUDES ITEMS 1A, 1B AND 1C) | 1 |
| 1A | 36064 | MAGNET, NEODYMIUM RING 7/8 X 1/8 | 3 |
| 1B | 10647 | SCREW, FLAT HD PHILLIPS 8-32 X 1/2 | 3 |
| 1C | 10462 | NUT, KEPS LOCK 8-32 ZINC | 3 |
| 2 | 10112 | RING, RUBBER, 4-1/2"OD X 1/2"THK | 2 |
| 3 | 77020 | RING, HUB CARRIER, 6-HOLE | 1 |
| 4 | 77010 | HUB, ALUMINUM 6-HOLE (GRINDER) | 1 |
| 5 | 10354 | SCREW, SKT. HD. CAP 3/8-24 X 1-3/4 | 3 |
| 6 | 10012 | SCREW, SKT. HD. CAP 3/8-24 X 2 | 3 |
| 7 | 10113 | SPACER, STEEL 9/16OD X 3/8ID X 7/32 | 3 |
| 8 | 10011 | SPACER, STEEL 5/8OD X 3/8ID X 3/8T | 6 |
| 9 | 10058 | NUT, HEX LOCK 3/8-24 W/ NYLON PATCH | 3 |
| 10 | 11725 | NUT, HEX JAM 3/8-24 ZINC (USE RED LOCTITE) | 3 |

ILLUSTRATION 6: OPTIONAL DIAMOND DISC ADAPTER



| ITEM # | PART # | DESCRIPTION | QTY.* |
|--|--------|--|-------|
| 1 | 77618 | ADAPTER, DIAMOND DISC (INCLUDES ITEM 2) | 1 |
| 2 | 10855 | SCREW, SKT. BUTTON HD 3/8-24 X 1 | 3 |
| 3 | 86108 | SCREW, FLAT HD SKT 3/8-24 X 3/4 (NOT INCLUDED) | - |
| 4 | 86391A | 10" MAGNA-TRAP DISC ASSY. W/ HUB (NOT INCLUDED) | - |
| 5 | ----- | DIAMOND DISC (NOT INCLUDED) REFER TO PRODUCT CATALOG FOR OPTIONS. | - |
| * QUANTITIES ARE PER EACH DISC ASSEMBLY. THERE ARE 2 DISC ASSEMBLIES PER MACHINE. | | | |



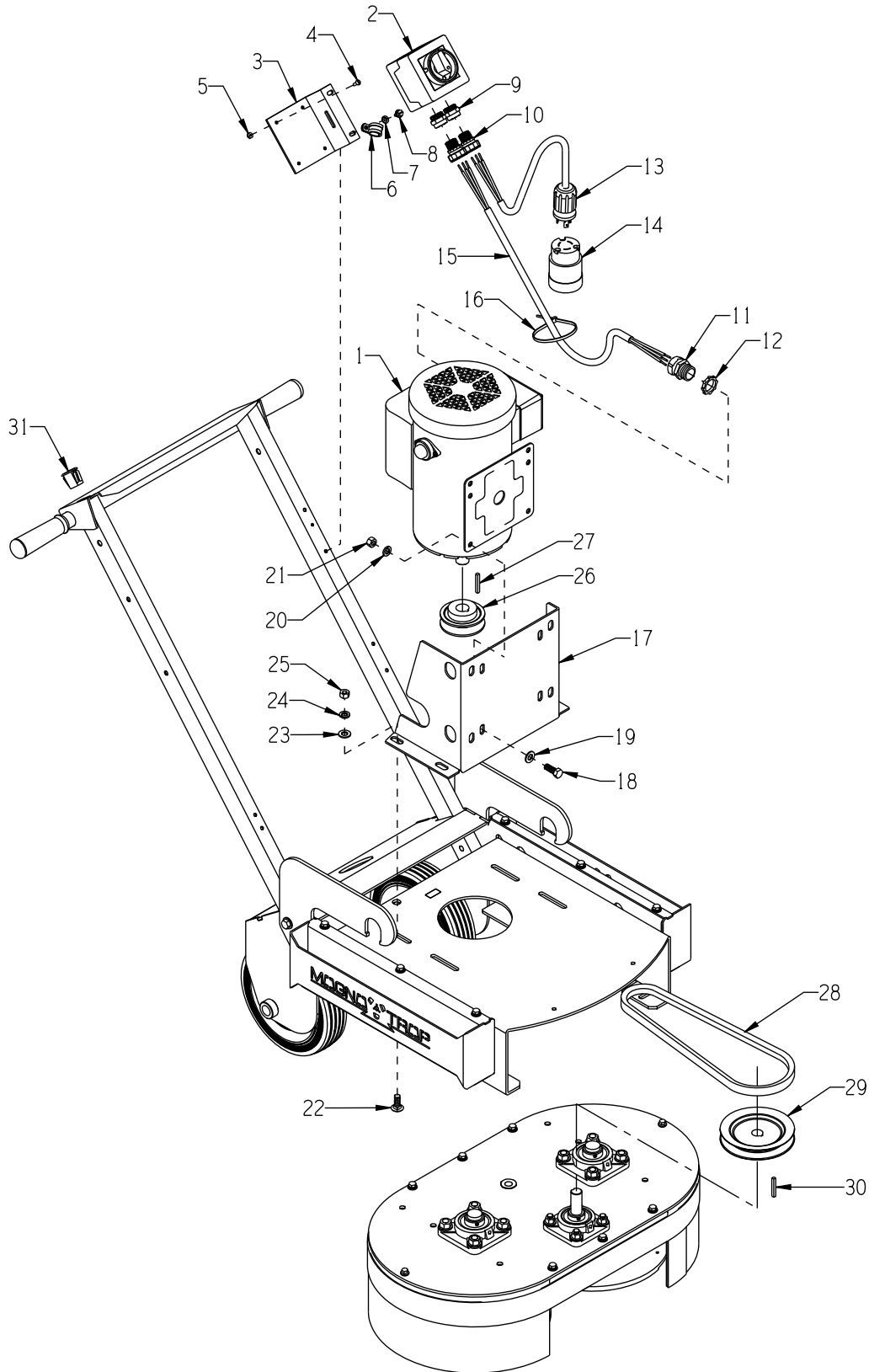
EQUIPMENT DEVELOPMENT COMPANY, INC.
 100 Thomas Johnson Drive, Frederick, MD 21702-4600 USA
 Phone: 800-638-3326 or 301-663-1600 • Fax: 800-447-3326 or 301-663-1607
 Website: www.edcoinc.com • E-mail: sales@edcoinc.com

Printed in USA

JWA ©2016

Page 13

**ILLUSTRATION 7:
MOTOR & BELT DRIVE GROUPING FOR 1.5HP 60Hz UNITS**



**PARTS LISTING - ILLUSTRATION 7:
MOTOR & BELT DRIVE GROUPING FOR 1.5HP 60Hz UNITS**

| ITEM # | PART # | DESCRIPTION | QTY. |
|--------|--------------|---|------|
| 1 | 16083 | MOTOR, BALDOR 1.5HP-1P-60HZ-115/230V-1725RPM BALDOR CAT. NO. L3514TM | 1 |
| | 40051 | REPLACEMENT PARTS: CAPACITOR, START, 645-774MFD, 125V EC1645A06SP | 1 |
| | 16547 | CAPACITOR, RUN, 15MFD/370V, OC3015F12SP | 1 |
| | 16101 | RESET BUTTON, BALDOR TPCRT31CASP | 1 |
| 2 | 77043 | SWITCH, ROTARY CAM ON/OFF, LOVATO | 1 |
| 3 | 77042 | BRACKET, LOVATO ROTARY CAM SWITCH | 1 |
| 4 | 11663 | SCREW, MACHINE 8-32 X 1/2 (LOCATED INSIDE OF SWITCH BOX) | 4 |
| 5 | 10462 | NUT, KEPS LOCK 8-32 ZINC | 4 |
| 6 | 11690 | CLAMP, LOOM, 3/8" | 1 |
| 7 | 10038 | WASHER, LOCK 1/4 ZINC | 2 |
| 8 | 10846 | SCREW, CAP STSHW 1/4-20 X 1/2 | 2 |
| 9 | 77043-1 | SWITCH ADAPTER, PG16 TO 1/2"NPT | 2 |
| 10 | 40066 | STRAIN RELIEF 1/2NPT X .350-.450" | 2 |
| 11 | 16176 | STRAIN RELIEF 3/4NPT X .350-.450" | 1 |
| 12 | 10740 | CONDUIT LOCK NUT 3/4 NP | 1 |
| 13 | 77044 | PLUG W/ 12/3 WIRE HARNESS, LOCKING | 1 |
| 14 | 40041 | CONNECTOR, LOCKING 20A/125V L5-20C | 1 |
| 15 | 77045 | WIRE HARNESS 12/3 X 42"LOA | 1 |
| 16 | 10982 | TIE, CABLE, BLACK NYLON 11-1/4" | 2 |
| 17 | 77037 | MOUNT, MOTOR | 1 |
| 18 | 10806 | SCREW, CAP 5/16-18 X 1 | 4 |
| 19 | 10213 | WASHER, FLAT 5/16 SAE ZINC | 4 |
| 20 | 10801 | WASHER, LOCK 5/16 ZINC | 4 |
| 21 | 10054 | NUT, HEX 5/16-18 ZINC | 4 |
| 22 | 10802 | BOLT, CARRIAGE 3/8-16 X 1 ZINC | 4 |
| 23 | 10025 | WASHER, FLAT 3/8 SAE ZINC | 4 |
| 24 | 10811 | WASHER, LOCK 3/8 ZINC | 4 |
| 25 | 10404 | NUT, HEX 3/8-16 ZINC | 4 |
| 26 | 77017 | SHEAVE 3"OD X 1GR.B X 7/8"BORE | 1 |
| 27 | ----- | KEY 3/16SQ X 1-3/8 (INCLUDED W/ MOTOR) | 1 |
| 28 | 10035 | BELT 5L-330 OR B30 | 1 |
| 29 | 3654 | SHEAVE 5"OD X 1GR.B X 3/4"BORE | 1 |
| 30 | 10016 | KEY 3/16SQ X 1-1/2 | 1 |
| 31 | 15204 | PLUG, RECT. HOLE, PLASTIC SNAP-IN | 1 |



EQUIPMENT DEVELOPMENT COMPANY, INC.

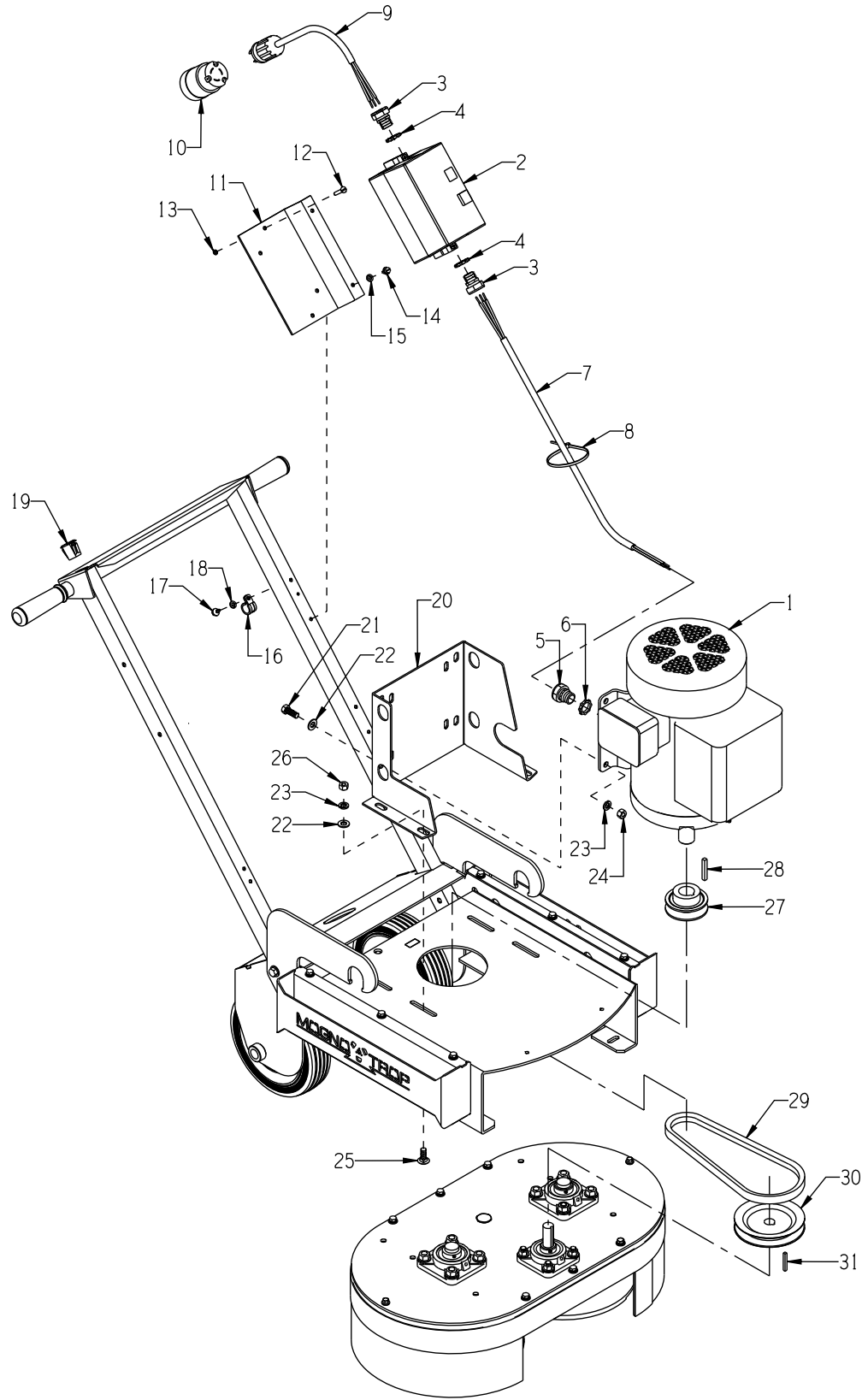
100 Thomas Johnson Drive, Frederick, MD 21702-4600 USA
Phone: 800-638-3326 or 301-663-1600 • Fax: 800-447-3326 or 301-663-1607
Website: www.edcoinc.com • E-mail: sales@edcoinc.com

Printed in USA

JWA ©2016

Page 15

ILLUSTRATION 8: MOTOR & BELT DRIVE GROUPING FOR 2HP 50Hz UNITS



**PARTS LISTING - ILLUSTRATION 8:
MOTOR & BELT DRIVE GROUPING FOR 2HP 50Hz UNITS**

| ITEM # | PART # | DESCRIPTION | QTY. |
|--------|--------------|--|------|
| 1 | 16019 | MOTOR, BALDOR 2HP-1PH-50HZ-110/220V-20/10A BALDOR CAT. #L3605T-50 | 1 |
| | 40051 | REPLACEMENT PARTS: CAPACITOR, START, 645-774MFD 125V | 1 |
| | 16164 | CAPACITOR, RUN, 40MFD 370V | 1 |
| 2 | 16470 | STARTER ACI #128839, 110V 50Hz 17.5-21.5A OL | 1 |
| | 16460 | STARTER ACI #128840, 220V 50Hz 9.0-12.5A OL | 1 |
| | 16616 | REPLACEMENT PARTS: STARTER CONT./COIL ACI SK18.310-120 | 1 |
| | 16617 | STARTER CONT./COIL ACI SK18.310-230 | 1 |
| | 16621 | STARTER AC COIL 120V-60HZ/110V-50HZ | 1 |
| | 16622 | STARTER AC COIL 200/240V-60HZ, 190/220-50HZ | 1 |
| | 16634 | STARTER OVERLOAD RELAY 9.0-12.5 AMP | 1 |
| | 16637 | STARTER OVERLOAD RELAY 17.5-21.5A | 1 |
| | 16652 | STARTER BOX ONLY HNFS18-20 | 1 |
| 3 | 41130 | STRAIN RELIEF 1/2NPT X .550-.650" | 2 |
| 4 | 10790 | CONDUIT LOCK NUT 1/2 NP (LOCATED INSIDE THE STARTER BOX) | 2 |
| 5 | 16176 | STRAIN RELIEF 3/4NPT X .350-.450" | 1 |
| 6 | 10740 | CONDUIT LOCK NUT 3/4 NP | 1 |
| 7 | 77045 | WIRE HARNESS 12/3 X 42"LOA | 1 |
| 8 | 10982 | TIE, CABLE, BLACK NYLON 11-1/4" | 1or2 |
| 9 | 77044 | PLUG W/ 12/3 WIRE HARNESS, LOCKING | 1 |
| 10 | 40000 | CONNECTOR, LOCKING 20A/250V L6-20C | 1 |
| 11 | 86027 | MOUNTING BRKT., STARTER | 1 |
| 12 | 11732 | SCREW, MACHINE 10-32 X 1-3/4 RHP | 2 |
| | 10384 | SCREW, MACHINE 10-32 X 1 RHP (INSIDE BOX) | 1 |
| 13 | 10832 | NUT, KEPS LOCK 10-32 ZINC | 2 |
| 14 | 10846 | SCREW, CAP STSHW 1/4-20 X 1/2 | 2 |
| 15 | 10038 | WASHER, LOCK 1/4 ZINC | 2 |
| 16 | 11690 | CLAMP, LOOM, 3/8" | 1 |
| 17 | 10877 | SCREW, CAP STSHW 10-24 X 1/2 | 1 |
| 18 | 10831 | WASHER, LOCK, INT. TOOTH #10 | 1 |
| 19 | 15204 | PLUG, RECT. HOLE, PLASTIC SNAP-IN | 1 |
| 20 | 77037 | MOUNT, MOTOR | 1 |
| 21 | 10021 | SCREW, CAP 3/8-24 X 1 | 4 |
| 22 | 10025 | WASHER, FLAT 3/8 SAE ZINC | 8 |
| 23 | 10811 | WASHER, LOCK 3/8 ZINC | 8 |
| 24 | 10014 | NUT, HEX 3/8-24 ZINC | 4 |
| 25 | 10802 | BOLT, CARRIAGE 3/8-16 X 1 ZINC | 4 |
| 26 | 10404 | NUT, HEX 3/8-16 ZINC | 4 |
| 27 | 77030 | SHEAVE 3"OD X 1GR.B X 1-1/8"BORE | 1 |
| 28 | ----- | KEY 1/4SQ X 1.75 (INCLUDED W/ MOTOR) | 1 |
| 29 | 10047 | BELT 5L-300 OR B27 | 1 |
| 30 | 3654 | SHEAVE 5"OD X 1GR.B X 3/4"BORE | 1 |
| 31 | 10016 | KEY 3/16SQ X 1-1/2 | 1 |



EQUIPMENT DEVELOPMENT COMPANY, INC.

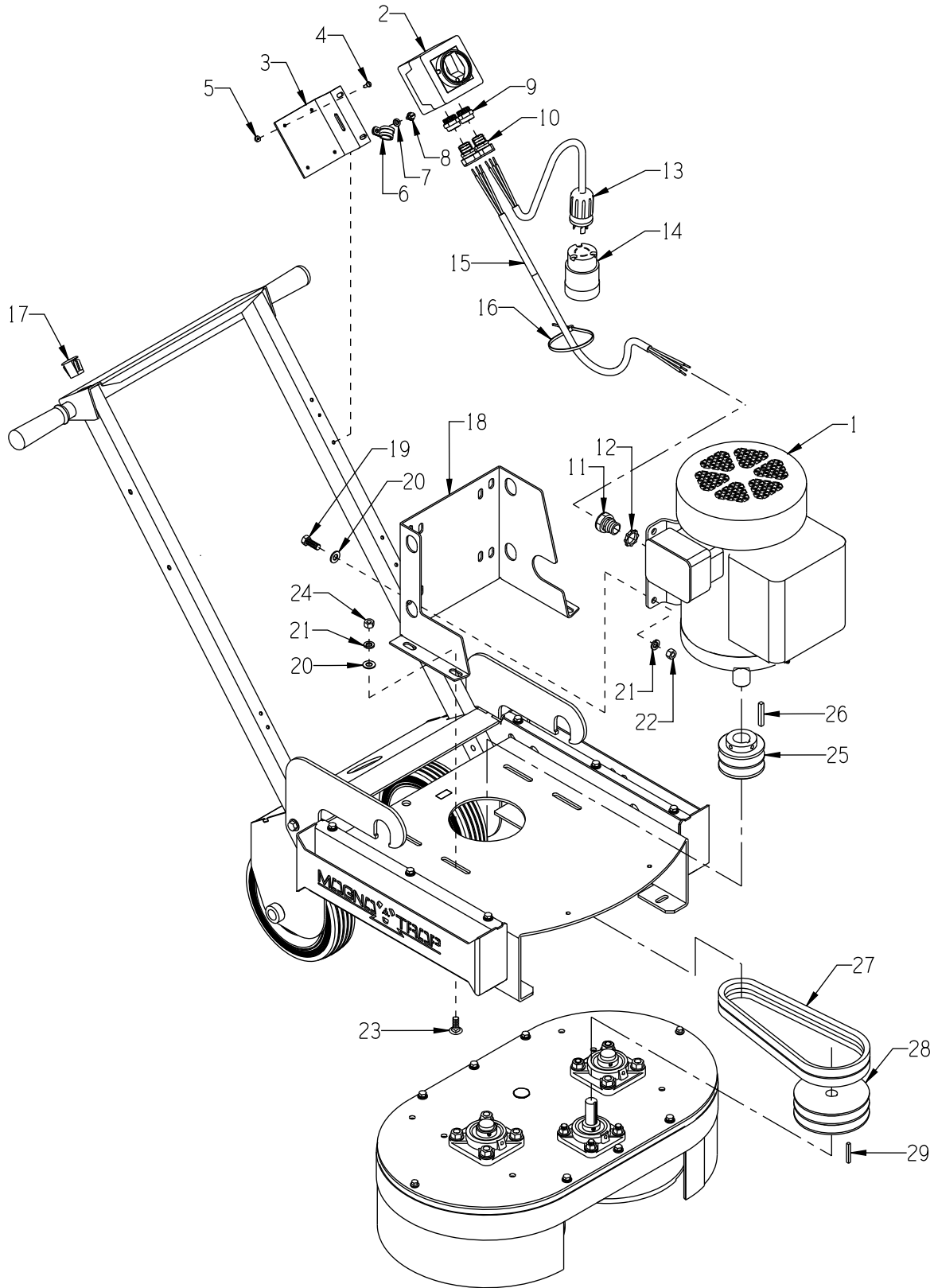
100 Thomas Johnson Drive, Frederick, MD 21702-4600 USA
 Phone: 800-638-3326 or 301-663-1600 • Fax: 800-447-3326 or 301-663-1607
 Website: www.edcoinc.com • E-mail: sales@edcoinc.com

Printed in USA

JWA ©2016

Page 17

ILLUSTRATION 9: MOTOR & BELT DRIVE GROUPING FOR 3HP 60Hz UNITS



**PARTS LISTING - ILLUSTRATION 9:
MOTOR & BELT DRIVE GROUPING FOR 3HP 60Hz UNITS**

| ITEM # | PART # | DESCRIPTION | QTY. |
|--------|---------|---|------|
| 1 | 16082 | MOTOR, BALDOR 3HP-1PH-60HZ-1725RPM-230V-14.5A BALDOR CAT. #L3609TM REPLACEMENT PARTS: | 1 |
| | 16561 | CAPACITOR, START, 125V EC1815A06 | 1 |
| | 16536 | CAPACITOR, RUN, 60MFD 370V OC3060F10 | 1 |
| | 16562 | RESET BUTTON TPBRJ35DB | 1 |
| 2 | 77043 | SWITCH, ROTARY CAM ON/OFF | 1 |
| 3 | 77042 | BRACKET, ROTARY CAM SWITCH | 1 |
| 4 | 11663 | SCREW, MACHINE 8-32 X 1/2 (LOCATED INSIDE OF SWITCH BOX) | 4 |
| 5 | 10462 | NUT, KEPS LOCK 8-32 ZINC | 4 |
| 6 | 11690 | CLAMP, LOOM, 3/8" | 1 |
| 7 | 10038 | WASHER, LOCK 1/4 ZINC | 2 |
| 8 | 10846 | SCREW, CAP STSHW 1/4-20 X 1/2 | 2 |
| 9 | 77043-1 | SWITCH ADAPTER, PG16 TO 1/2"NPT | 2 |
| 10 | 40066 | STRAIN RELIEF 1/2NPT X .350-.450" | 2 |
| 11 | 16176 | STRAIN RELIEF 3/4NPT X .350-.450" | 1 |
| 12 | 10740 | CONDUIT LOCK NUT 3/4 NP (LOCATED INSIDE OF THE JUNCTION BOX)) | 1 |
| 13 | 77044 | PLUG W/ 12/3 WIRE HARNESS, LOCKING | 1 |
| 14 | 40041 | CONNECTOR, LOCKING 20A/125V L5-20C | 1 |
| 15 | 77045 | WIRE HARNESS 12/3 X 42"LOA | 1 |
| 16 | 10982 | TIE, CABLE, BLACK NYLON 11-1/4" | 2 |
| 17 | 15204 | PLUG, RECT. HOLE, PLASTIC SNAP-IN | 1 |
| 18 | 77037 | MOUNT, MOTOR | 1 |
| 19 | 10021 | SCREW, CAP 3/8-24 X 1 | 4 |
| 20 | 10025 | WASHER, FLAT 3/8 SAE ZINC | 8 |
| 21 | 10811 | WASHER, LOCK 3/8 ZINC | 8 |
| 22 | 10014 | NUT, HEX 3/8-24 ZINC | 4 |
| 23 | 10802 | BOLT, CARRIAGE 3/8-16 X 1 ZINC | 4 |
| 24 | 10404 | NUT, HEX 3/8-16 ZINC | 4 |
| 25 | 79023 | SHEAVE 3"OD X 2GR.B X 1-1/8"BORE | 1 |
| 26 | ----- | KEY 1/4SQ X 1.75 (INCLUDED W/ MOTOR) | 1 |
| 27 | 10047 | BELT 5L-300 OR B27 | 2 |
| 28 | 77058 | SHEAVE 5"OD X 2GR.B X 3/4"BORE | 1 |
| 29 | 10016 | KEY 3/16SQ X 1-1/2 | 1 |



EQUIPMENT DEVELOPMENT COMPANY, INC.

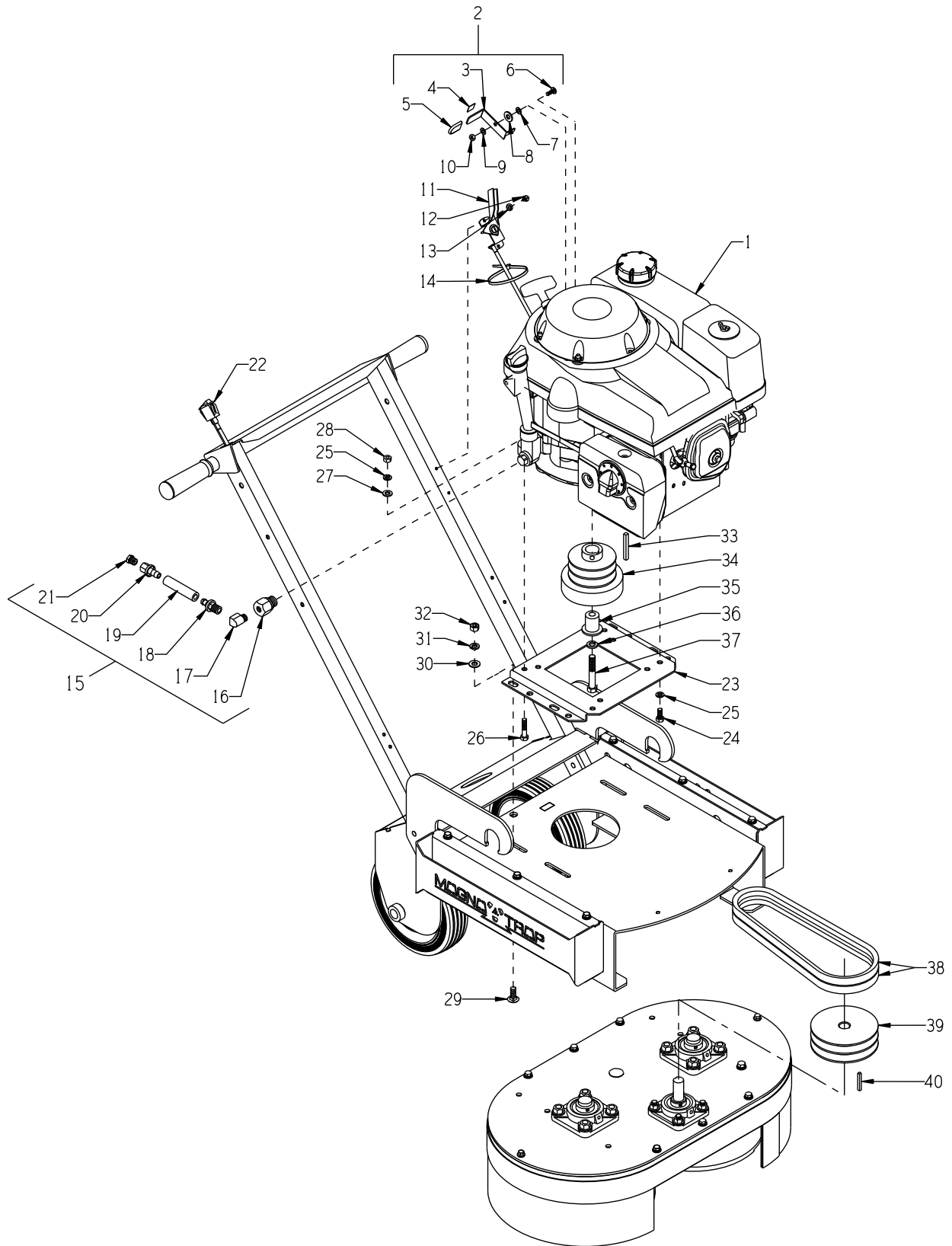
100 Thomas Johnson Drive, Frederick, MD 21702-4600 USA
Phone: 800-638-3326 or 301-663-1600 • Fax: 800-447-3326 or 301-663-1607
Website: www.edcoinc.com • E-mail: sales@edcoinc.com

Printed in USA

JWA ©2016

Page 19

**ILLUSTRATION 10:
ENGINE & BELT DRIVE GROUPING FOR HONDA GXV340**



| PARTS LISTING - ILLUSTRATION 10: ENGINE & BELT DRIVE GROUPING FOR HONDA GXV340 | | | |
|---|--------|--|------|
| ITEM # | PART # | DESCRIPTION | QTY. |
| 1 | 76004 | ENGINE, HONDA MODELGXV340UT2-DX3 | 1 |
| 2 | 15190 | MANUAL CHOKE KIT (INCLUDES ITEMS 3 THRU 10) | 1 |
| 3 | 15183 | LEVER, CHOKE CONTROL, GXV340 | 1 |
| 4 | 91301 | DECAL, CHOKE 5/8 X 5/8 | 1 |
| 5 | 15184 | CAP, FLAT RED .062 X .75 X 1 | 1 |
| 6 | 15185 | SCREW, MACHINE M6 X 16MM PHILLIP HD | 1 |
| 7 | 15188 | WASHER .265"ID, .50"OD, .029-.035"THK | 1 |
| 8 | 15187 | WASHER, FIBER .75 X .25 X .093 | 1 |
| 9 | 15186 | WASHER, BELLEVILLE .500 X.255 X.018 | 1 |
| 10 | 28026 | NUT, HEX NYLON LOCK M6 X 1MM | 1 |
| 11 | 40388 | CABLE, THROTTLE, LEVER-TYPE 24" | 1 |
| 12 | 10877 | SCREW, CAP STSHW 10-24 X 1/2 | 2 |
| 13 | 10831 | WASHER, LOCK, INT. TOOTH #10 | 2 |
| 14 | 10982 | TIE, CABLE, BLACK NYLON 11-1/4" | 2 |
| 15 | 77628 | OIL DRAIN KIT, 2GC-NG-11H (INCLUDES ITEMS 16 THRU 21) | 1 |
| 16 | 11689 | ADAPTER, 20MM X 1.5 TO 1/4FPT | 1 |
| 17 | 10730 | ELBOW, STREET 1/4NPT X 90 (BRASS) | 1 |
| 18 | 10657 | BARB, PUSH-ON 3/8 HOSE X 1/4MPT | 1 |
| 19 | 72106 | HOSE, PUSH-ON 3/8"ID X 2"L | 1 |
| 20 | 11544 | BARB, PUSH-ON 3/8 HOSE X 1/4FPT | 1 |
| 21 | 10776 | PIPE PLUG 1/4 NPT (BRASS) | 1 |
| 22 | 15201A | SWITCH W/ WIRES, ROCKER RED ON-OFF ADDITIONAL PARTS REQ'D. (NOT SHOWN): | 1 |
| | 50084 | TERM., RING #10 16-14GA. INSULATED | 1 |
| | 10831 | WASHER, LOCK, INT. TOOTH #10 | 1 |
| | 10877 | SCREW, CAP STSHW 10-24 X 1/2 | 1 |
| | 10970 | CONN., WIRE QUICK-SPLICE 18-14 GA. | 1 |
| 23 | 76023 | MOUNT, ENGINE, VERT. SHAFT | 1 |
| 24 | 10048 | SCREW, CAP 5/16-24 X 3/4 | 2 |
| 25 | 10801 | WASHER, LOCK 5/16 ZINC | 4 |
| 26 | 10606 | SCREW, CAP 5/16-18 X 1-1/4 | 2 |
| 27 | 10213 | WASHER, FLAT 5/16 SAE ZINC | 4 |
| 28 | 10054 | NUT, HEX 5/16-18 ZINC | 4 |
| 29 | 10802 | BOLT, CARRIAGE 3/8-16 X 1 ZINC | 4 |
| 30 | 10025 | WASHER, FLAT 3/8 SAE ZINC | 4 |
| 31 | 10811 | WASHER, LOCK 3/8 ZINC | 4 |
| 32 | 10404 | NUT, HEX 3/8-16 ZINC | 4 |
| 33 | 10307 | KEY 1/4SQ X 2-1/4 | 1 |
| 34 | 76024 | CLUTCH, CENTRIFUGAL 3.5 X 2GR X 1 | 1 |
| 35 | 77627 | CLUTCH PLUG, 2GC-NG & TLR-7 | 1 |
| 36 | 10450 | WASHER, LOCK 7/16 ZINC | 1 |
| 37 | 11750 | SCREW, CAP 7/16-20 X 2-3/4 ZINC | 1 |
| 38 | 10035 | BELT 5L-330 OR B30 | 2 |
| 39 | 77058 | SHEAVE 5"OD X 2GR.B X 3/4"BORE | 1 |
| 40 | 10016 | KEY 3/16SQ X 1-1/2 | 1 |



EQUIPMENT DEVELOPMENT COMPANY, INC.

100 Thomas Johnson Drive, Frederick, MD 21702-4600 USA
 Phone: 800-638-3326 or 301-663-1600 • Fax: 800-447-3326 or 301-663-1607
 Website: www.edcoinc.com • E-mail: sales@edcoinc.com

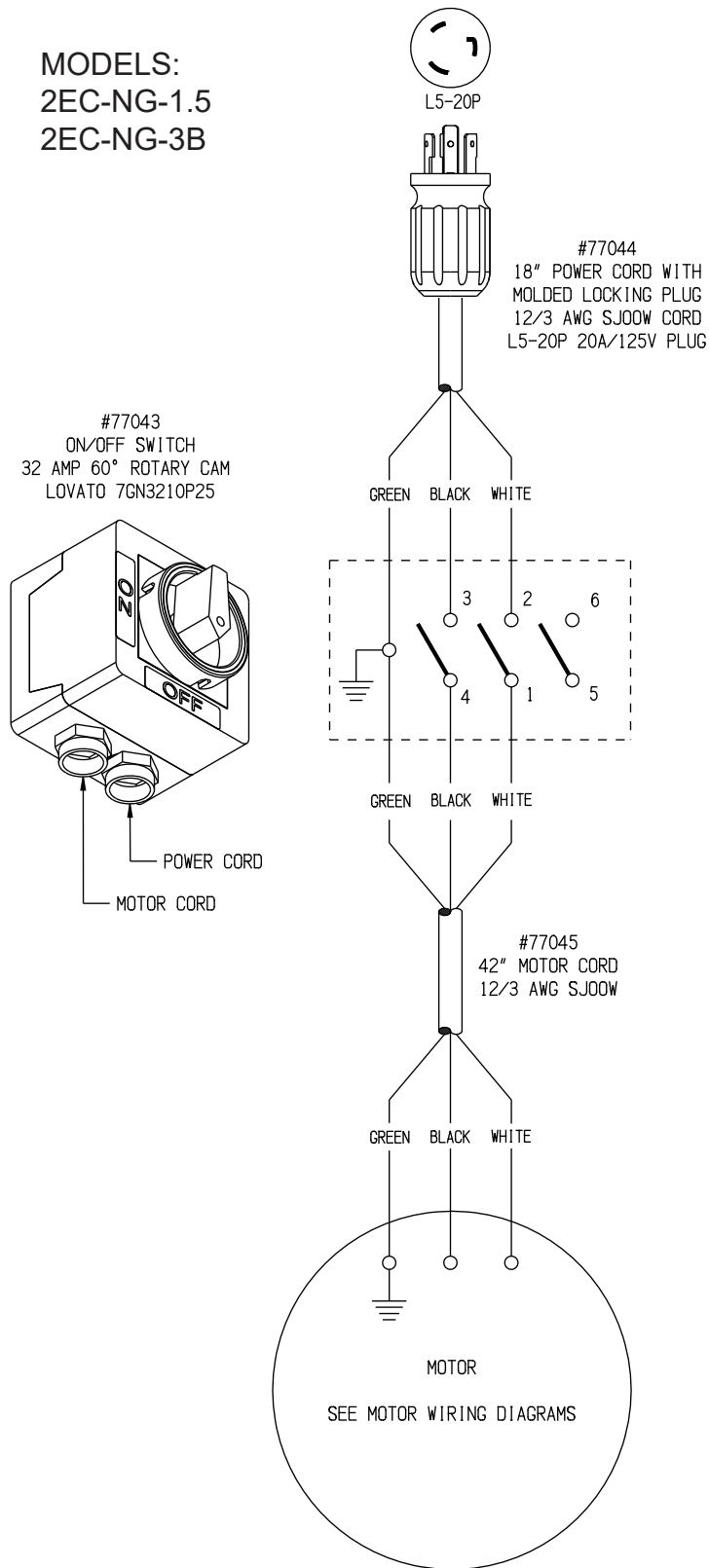
Printed in USA

JWA ©2016

Page 21

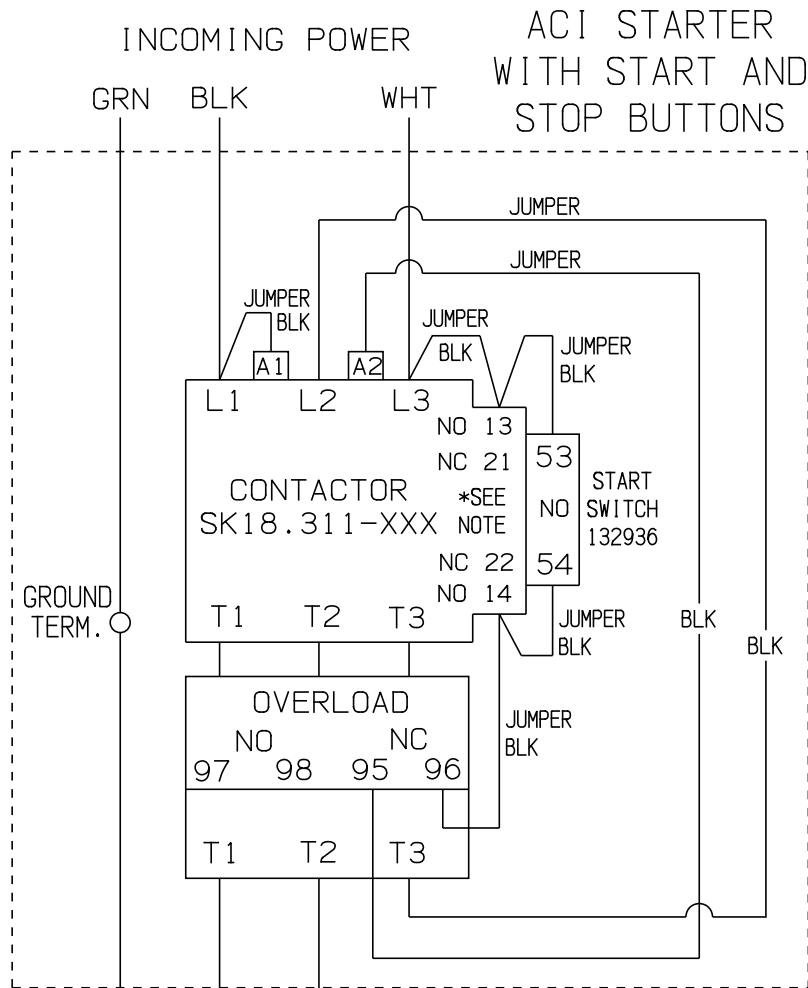
WIRING DIAGRAM FOR ROTARY CAM SWITCH

MODELS:
2EC-NG-1.5
2EC-NG-3B

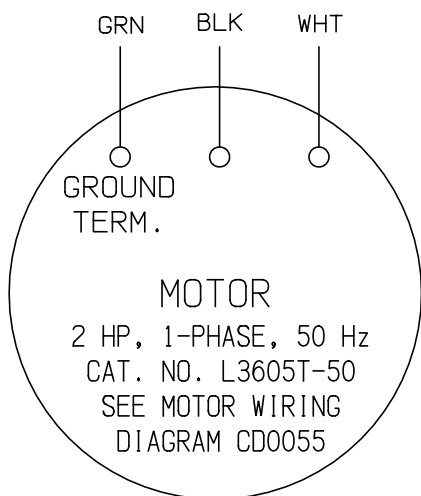


WIRING DIAGRAM FOR ACI STARTER

MODEL 2EC-NG-2B/50



*NOTE:
 TERMINALS 21 & 22 ARE LOCATED
 ON TOP. BE SURE THE JUMPER WIRES
 ARE CONNECTED TO TERMINALS 13 &
 14 WHICH ARE BELOW 21 & 22.



COLOR CODES

BLK = BLACK
 GRN = GREEN
 WHT = WHITE



EQUIPMENT DEVELOPMENT COMPANY, INC.

100 Thomas Johnson Drive, Frederick, MD 21702-4600 USA
 Phone: 800-638-3326 or 301-663-1600 • Fax: 800-447-3326 or 301-663-1607
 Website: www.edcoinc.com • E-mail: sales@edcoinc.com

Printed in USA

JWA ©2016

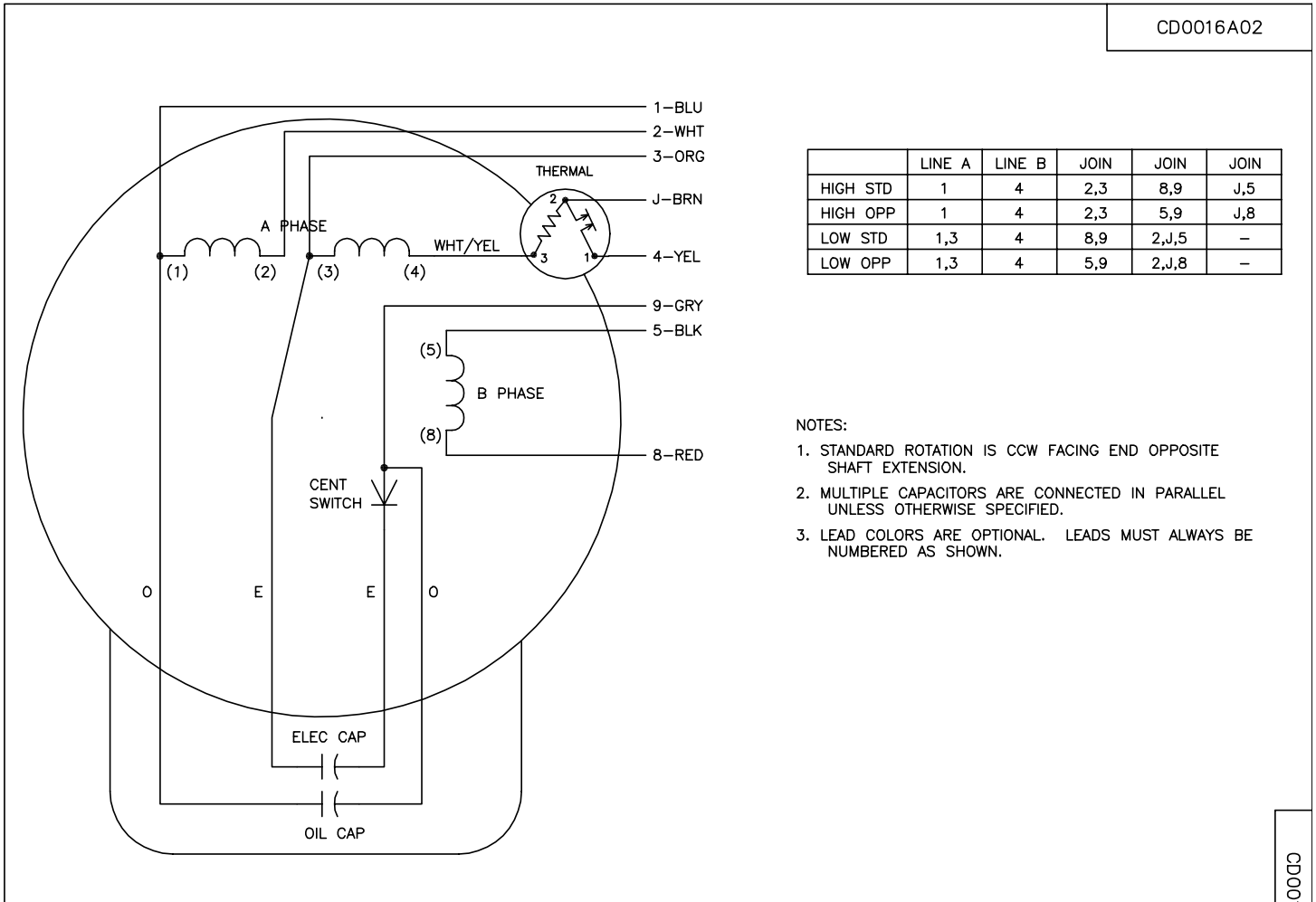
WIRING DIAGRAM FOR BALDOR L3514TM MOTOR

MODEL 2EC-NG-1.5

BALDOR CAT. NO. L3514TM
1.5 H.P., 1 PHASE, 60 HERTZ, 1725 RPM,
115/230 VOLT, 16/8 FULL LOAD AMPS

USE CONNECTIONS FOR OPPOSITE
ROTATION SHOWN BELOW IN CHART.
FACTORY CONNECTIONS ARE LOW OPP. (115V).

CD0016A02



NOTES:

1. STANDARD ROTATION IS CCW FACING END OPPOSITE SHAFT EXTENSION.
2. MULTIPLE CAPACITORS ARE CONNECTED IN PARALLEL UNLESS OTHERWISE SPECIFIED.
3. LEAD COLORS ARE OPTIONAL. LEADS MUST ALWAYS BE NUMBERED AS SHOWN.

| | | |
|---|----------------------|------------------------------|
| REV. DESC: REMOVE OPTIONAL THERMAL CONNECTION | | |
| REV. LTR: F | VERSION: 01 | TDR: 000000373039 |
| 20V91000C | FILE: \AAA\00007\411 | REVISED: 10:13:25 08/11/2005 |
| | MTL: - | BY: ENJOEPO |

BALDOR ELECTRIC Co.

TYPE LC, DV, REV, OIL CAP ACR. LINE, THERMAL, 8 LEADS

CD0016A02



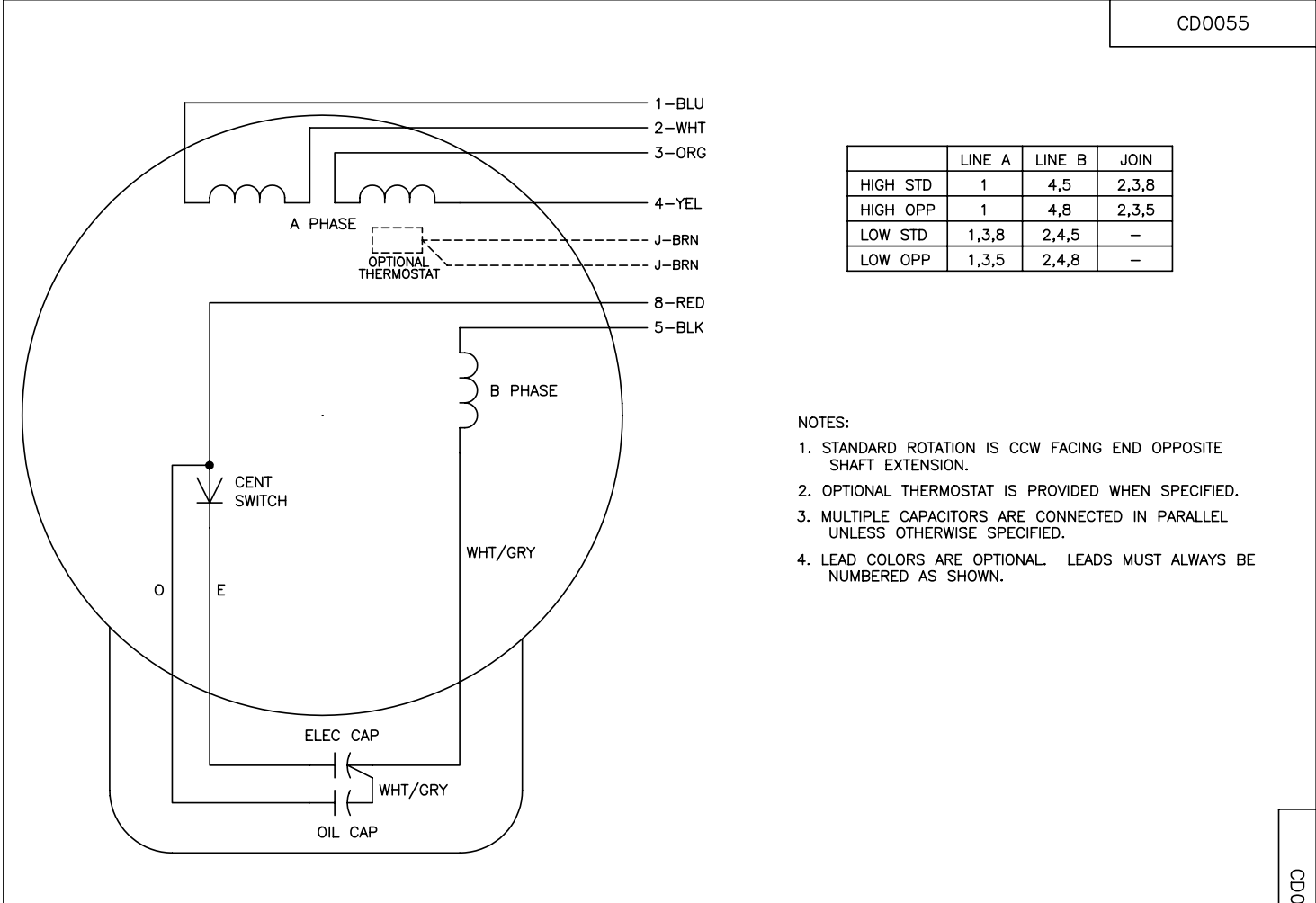
WIRING DIAGRAM FOR BALDOR L3605T-50 MOTOR

MODEL 2EC-NG-2B/50

BALDOR CAT. NO. L3605T-50
2 H.P., 1 PHASE, 50 HERTZ, 1425 RPM,
110/220 VOLT, 20/10 FULL LOAD AMPS

USE CONNECTIONS FOR OPPOSITE
ROTATION SHOWN BELOW IN CHART.

CD0055



| | LINE A | LINE B | JOIN |
|----------|--------|--------|-------|
| HIGH STD | 1 | 4,5 | 2,3,8 |
| HIGH OPP | 1 | 4,8 | 2,3,5 |
| LOW STD | 1,3,8 | 2,4,5 | — |
| LOW OPP | 1,3,5 | 2,4,8 | — |

- NOTES:
1. STANDARD ROTATION IS CCW FACING END OPPOSITE SHAFT EXTENSION.
 2. OPTIONAL THERMOSTAT IS PROVIDED WHEN SPECIFIED.
 3. MULTIPLE CAPACITORS ARE CONNECTED IN PARALLEL UNLESS OTHERWISE SPECIFIED.
 4. LEAD COLORS ARE OPTIONAL. LEADS MUST ALWAYS BE NUMBERED AS SHOWN.

CD0055

| | | | |
|---|---------|------------------------|--------------|
| REV. DESC: REVISE TO SHOW OPTIONAL COLORS | | | |
| REV. LTR: D | BY: JLP | REVISED: 04/08/99 1:17 | TDR: 0178636 |
| SS0003 | | FILE: AAA00007414 | MDL: — |
| MTL: — | | | |

BALDOR ELECTRIC Co.

TYPE LC, DV, REV, 6 LEADS



EQUIPMENT DEVELOPMENT COMPANY, INC.
100 Thomas Johnson Drive, Frederick, MD 21702-4600 USA
Phone: 800-638-3326 or 301-663-1600 • Fax: 800-447-3326 or 301-663-1607
Website: www.edcoinc.com • E-mail: sales@edcoinc.com

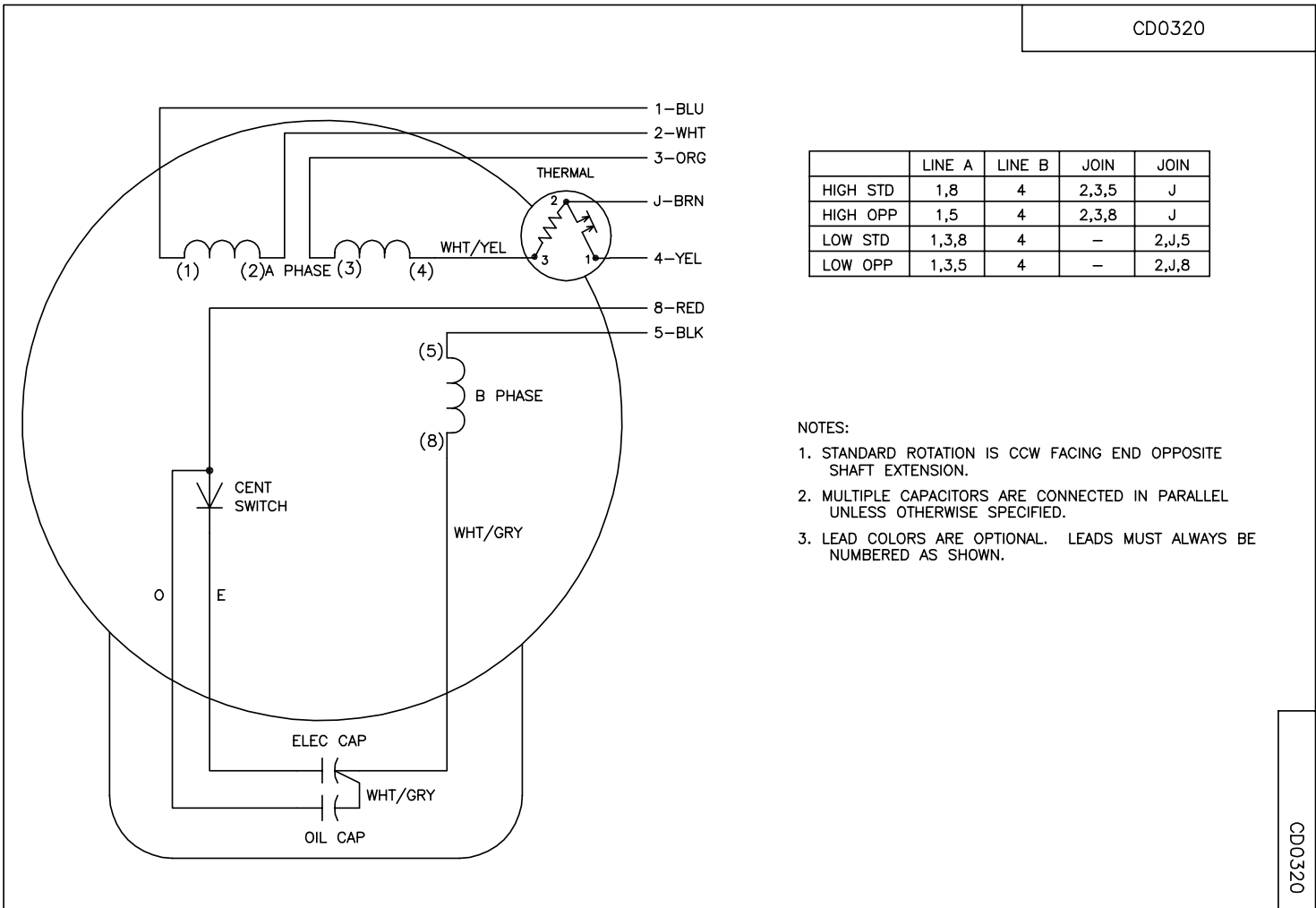
WIRING DIAGRAM FOR BALDOR L3609TM MOTOR

MODEL 2EC-NG-3B

BALDOR CAT. NO. L3609TM
 3 H.P., 1 PHASE, 60 HERTZ, 1725 RPM,
 115/230 VOLT, 28/14.5 FULL LOAD AMPS

USE CONNECTIONS FOR OPPOSITE
 ROTATION SHOWN BELOW IN CHART.
 FACTORY CONNECTIONS ARE HIGH OPP. (230V).

CD0320



| | LINE A | LINE B | JOIN | JOIN |
|----------|--------|--------|-------|-------|
| HIGH STD | 1,8 | 4 | 2,3,5 | J |
| HIGH OPP | 1,5 | 4 | 2,3,8 | J |
| LOW STD | 1,3,8 | 4 | - | 2,J,5 |
| LOW OPP | 1,3,5 | 4 | - | 2,J,8 |

- NOTES:
- STANDARD ROTATION IS CCW FACING END OPPOSITE SHAFT EXTENSION.
 - MULTIPLE CAPACITORS ARE CONNECTED IN PARALLEL UNLESS OTHERWISE SPECIFIED.
 - LEAD COLORS ARE OPTIONAL. LEADS MUST ALWAYS BE NUMBERED AS SHOWN.

CD0320

| | | |
|--|------------------------------|------------------|
| REV. DESC: ADD INTERNAL CONNECTION TO HELP MANUFACTURING | | |
| REV. LTR: G | VERSION: 01 | TDR: 00000941594 |
| FILE: \AAA\00007\422 | REVISED: 02:21:00 08/28/2015 | BY: ENALEMO |
| MTL: - | Ⓢ | |

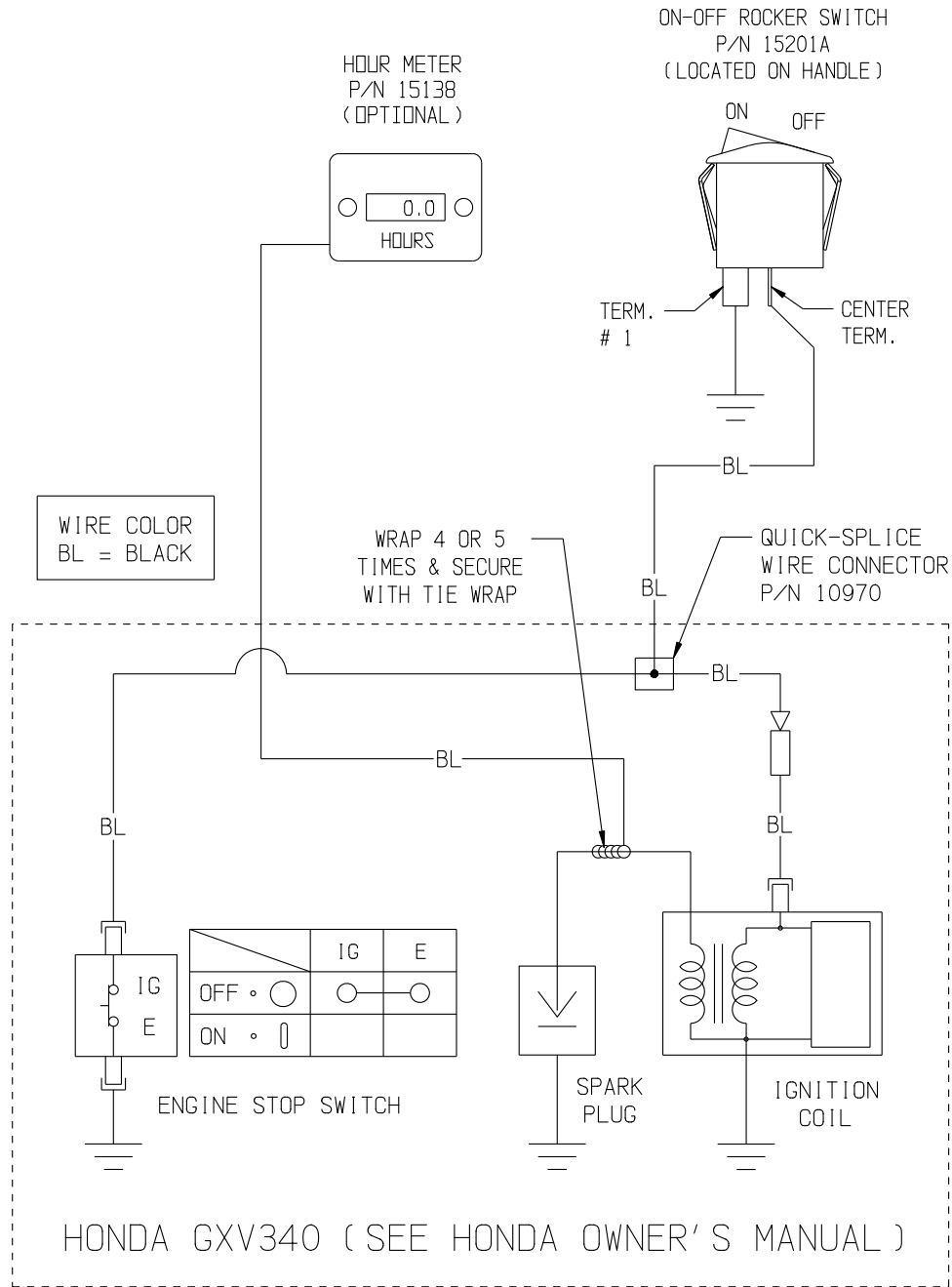
BALDOR

TYPE LC, DV, REV, THERMAL, B PH AMPS THRU HTR HVC, 7 LEAD
 SH 1 of 1



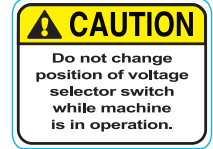
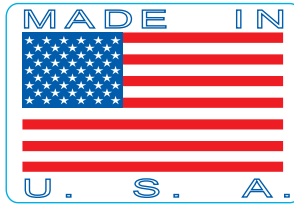
WIRING DIAGRAM FOR HONDA GXV340 ENGINE

MODEL 2GC-NG-11H



DECAL SHEET 1

P/N 92201 Rev.D 2EC, 2EC-NG, 2GC, & 2GC-NG 14 x17 SHEET



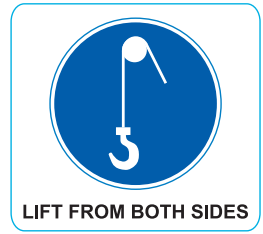
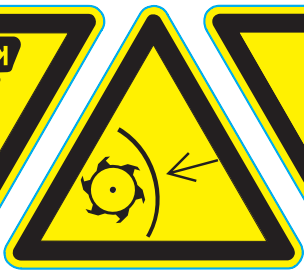
THROTTLE

CHECK OIL DAILY

exceeds 85dB(A)

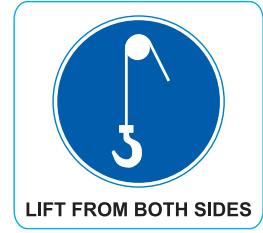


Gear Case is Pre-Lubricated with Lubriplate #630-2. Do Not add grease except when grinder undergoes repair.

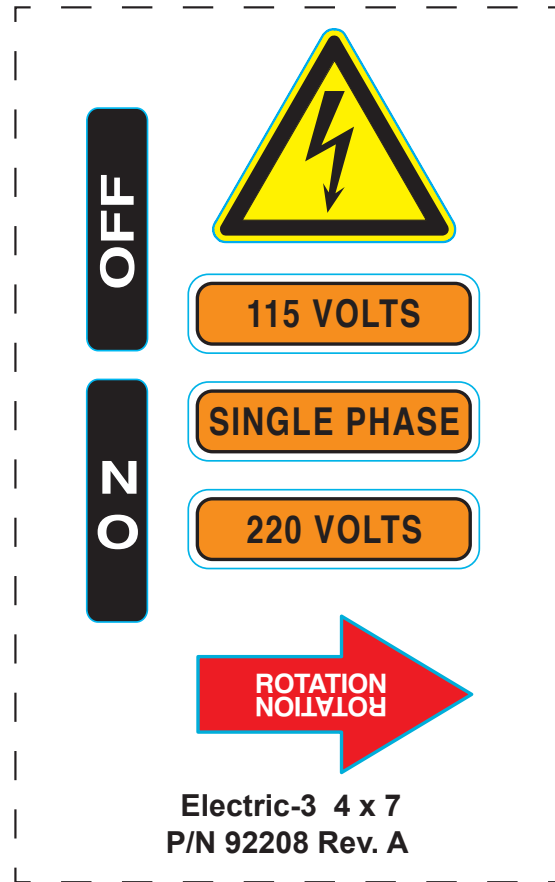


GREASE BEARINGS WEEKLY

WARNING THERE IS NO OIL IN THIS MACHINE



DECAL SHEET 2



THIS PAGE WAS LEFT BLANK INTENSIONALLY



NOTES

Record here any repairs or changes made to the Equipment



LIMITED EQUIPMENT WARRANTY OF SALE - TERMS & CONDITIONS

Equipment Development Company, Inc. herein referred to as EDCO (Seller) warrants that each new unit manufactured by EDCO to be free from defects in material and workmanship in normal use and service for a period of (1) one year (except for the cutter drum assembly on all model concrete/asphalt planes, in which case the warranty period shall be 90 days) from date of shipment to the original retail or equipment rental center owner.

Accessories or equipment furnished and installed on the product by EDCO but manufactured by others, including, but not limited to engines, motors, electrical components, transmissions etc., shall carry the accessory manufacturers own warranty.

EDCO will, at its option, repair or replace, at the EDCO factory or at a point designated by EDCO, any part which shall appear to the satisfaction of EDCO inspection to have been defective in material or workmanship.

EDCO reserves the right to modify, alter and improve any part or parts without incurring any obligation to replace any part or parts previously sold without such modified, altered or improved part or parts.

This warranty is in lieu of and excludes all other warranties, expressed, implied, statutory, or otherwise created under applicable law including, but not limited to the warranty of merchantability and the warranty of fitness for a particular purpose in no event shall seller or the manufacturer of the product be liable for special, incidental, or consequential damages, including loss of profits, whether or not caused by or resulting from the negligence of seller and/or the manufacturer of the product unless specifically provided herein. In addition, this warranty shall not apply to any products or portions thereof which have been subjected to abuse, misuse, improper installation, maintenance, or operation, electrical failure or abnormal conditions and to products which have been tampered with, altered, modified, repaired, reworked by anyone not approved by seller or used in any manner inconsistent with the provisions of the above or any instructions or specifications provided with or for the product

FORCE MAJEURE

Seller's obligation hereunder are subject to, and Seller shall not be held responsible for, any delay or failure to make delivery of all or any part of the Product due to labor difficulties, fires, casualties, accidents, acts of the elements, acts of God, transportation difficulties, delays by a common carrier, inability to obtain Product, materials or components or qualified labor sufficient to timely perform part of or all of the obligations contained in these terms and conditions, governmental regulations or actions, strikes, damage to or destruction in whole or part of manufacturing plant, riots, terrorist attacks or incidents, civil commotions, warlike conditions, flood, tidal waves, typhoon, hurricane, earthquake, lightning, explosion or any other causes, contingencies or circumstances within or without the United States not subject to the Seller's control which prevent or hinder the manufacture or delivery of the Products or make the fulfillment of these terms and conditions impracticable. In the event of the occurrence of any of the foregoing, at the option of Seller, Seller shall be excused from the performance under these Terms and Conditions, or the performance of the Seller shall be correspondingly extended.

This document sets forth the terms and conditions pursuant to which the purchaser ("Purchaser") will purchase and Equipment Development Co. Inc. ("Seller") will sell the products, accessories, attachments (collectively the Products) ordered by the Purchaser. These terms and conditions shall govern and apply to the sale of Seller's Products to Purchaser, regardless of any terms and conditions appearing on any purchase order or other forms submitted by Purchaser to Seller, or the inconsistency of any terms therein and herein.

1. PRICE

All prices set forth on any purchase order or other document are F.O.B. Sellers facility or distribution point, as may be determined by Seller (F.O.B. Point). All prices are exclusive of any and all taxes, including, but not limited to, excise, sales, use, property or transportation taxes related to the sale or use of the Products, now or hereafter imposed, together with all penalties and expenses. Purchaser shall be responsible for collecting and/or paying any and all such taxes, whether or not they are stated in any invoice for the Products. Unless otherwise specified herein, all prices are exclusive of inland transportation, freight, insurance and other costs and expenses relating to the shipment of the Products from the F.O.B. point to Purchaser's facility. Any prepayment by Seller of freight insurance and other costs shall be for the account of Purchaser and shall be repaid to Seller.

2. PAYMENT TERMS

Payment terms are as follows. 2% 10 days (to approved and qualified accounts). Net 30 days. This is a cash discount for invoices paid within 10 days after the invoice date, regardless of date of receipt of shipment. This is not a trade discount and will not be granted to accounts that do not adhere to stated terms.

*All past due accounts are subject to a late payment fee of 1.5% per month or a maximum allowed by law if different, along with the expenses incidental to collection including reasonable attorney's fees and costs.

*Seller reserves the right to hold shipments against past due accounts.

*Seller reserves the right to alter payment terms.

3. FREIGHT TERMS

All shipments will be made F.O.B. shipping point as designated in these Terms and Conditions, and title shall pass at the F.O.B. point. Delivery to the initial common carrier shall constitute delivery to the Purchaser. Any claims for loss or damage during shipment are to be filed with carrier by the Purchaser. Seller will not assume responsibility for the performance of the carrier.

Back orders will be shipped in the most practical fashion with charges consistent with our freight policy established with the original order. UPS, FED EX, MAIL or shipments by other couriers are subject to the same terms and conditions as outlined in paragraph #3 "Freight Terms".

4. DELIVERY, DAMAGES, SHORTAGES

Seller shall use reasonable efforts to attempt to cause the Products to be delivered as provided for in these Terms & Conditions. Delivery to the initial common carrier shall constitute the delivery to the Purchaser. Sellers responsibility, in so far as transportation risks are concerned ceases upon the delivery of the Products in good condition to such carrier at the F.O.B. point and all the Products shall be shipped at the Purchaser's risk. Seller shall not be responsible or liable for any loss of income and/or profits, or incidental, special, consequential damages resulting from Seller's delayed performance in shipment and delivery.

5. RETURN OF DEFECTIVE PRODUCTS

Defective or failed material shall be held at the Purchaser's premises until authorization has been granted by Seller to return or dispose of Products. Products that are to be returned for final inspection must be returned Freight Prepaid in the most economical way. Credit will be issued for material found to be defective upon Seller's inspection based on prices at time of purchase.

6. PRODUCTS ORDERED IN ERROR

Products may be returned, provided that claim is made and Seller is notified within 7 days of receipt of Products, and the Products are in original buyer's possession not more than 30 days prior to return, subject to Seller's approval. If Products are accepted for return, they must be Freight Prepaid and buyer will be charged a minimum of 15% restocking charge, plus a charge back for outbound freight charges if the original order was shipped prepaid. Returns are not accepted for any Products that are specifically manufactured to meet the buyer's requirement of either specifications or quantity.

AGREEMENTS

These Terms and Conditions constitute the entire agreement between Seller and Purchaser as it relates to terms and conditions of sale, and supersedes any and all prior oral or written agreements, correspondence, quotations or understandings heretofore in force between the parties relating to the subject matter hereof. There are no agreements between Seller and Purchaser with respect to the Product herein except those specifically set forth in and made part of these terms and conditions. Any additional terms, conditions and/or prices are rejected by Seller.

These terms and conditions may be modified, cancelled or rescinded only by a written agreement of both parties executed by their duly authorized agents.

USE ONLY GENUINE EDCO PARTS & ACCESSORIES
For your own safety, the safety of others and the life of your machine.

Equipment Development Company, Inc.